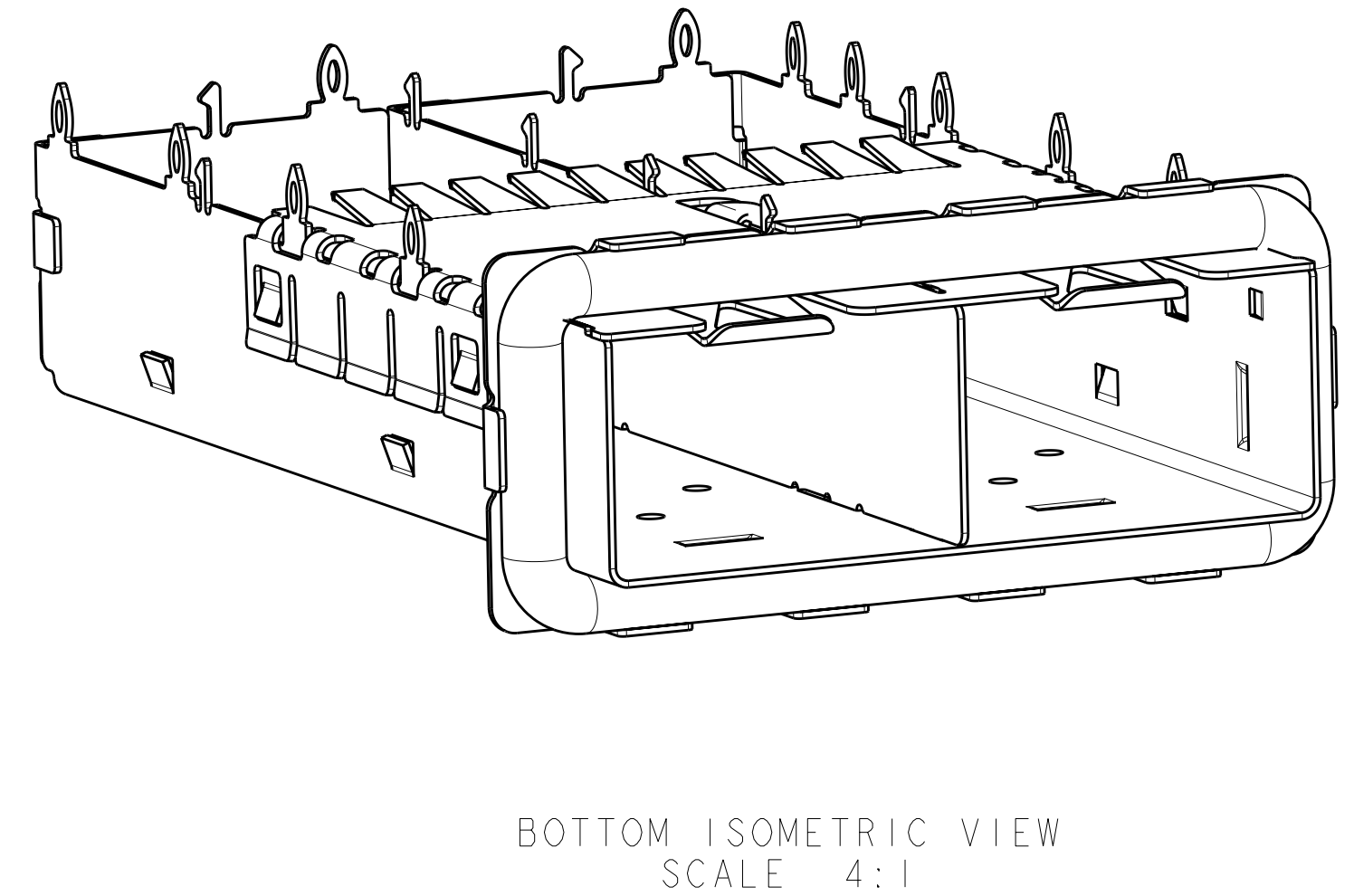
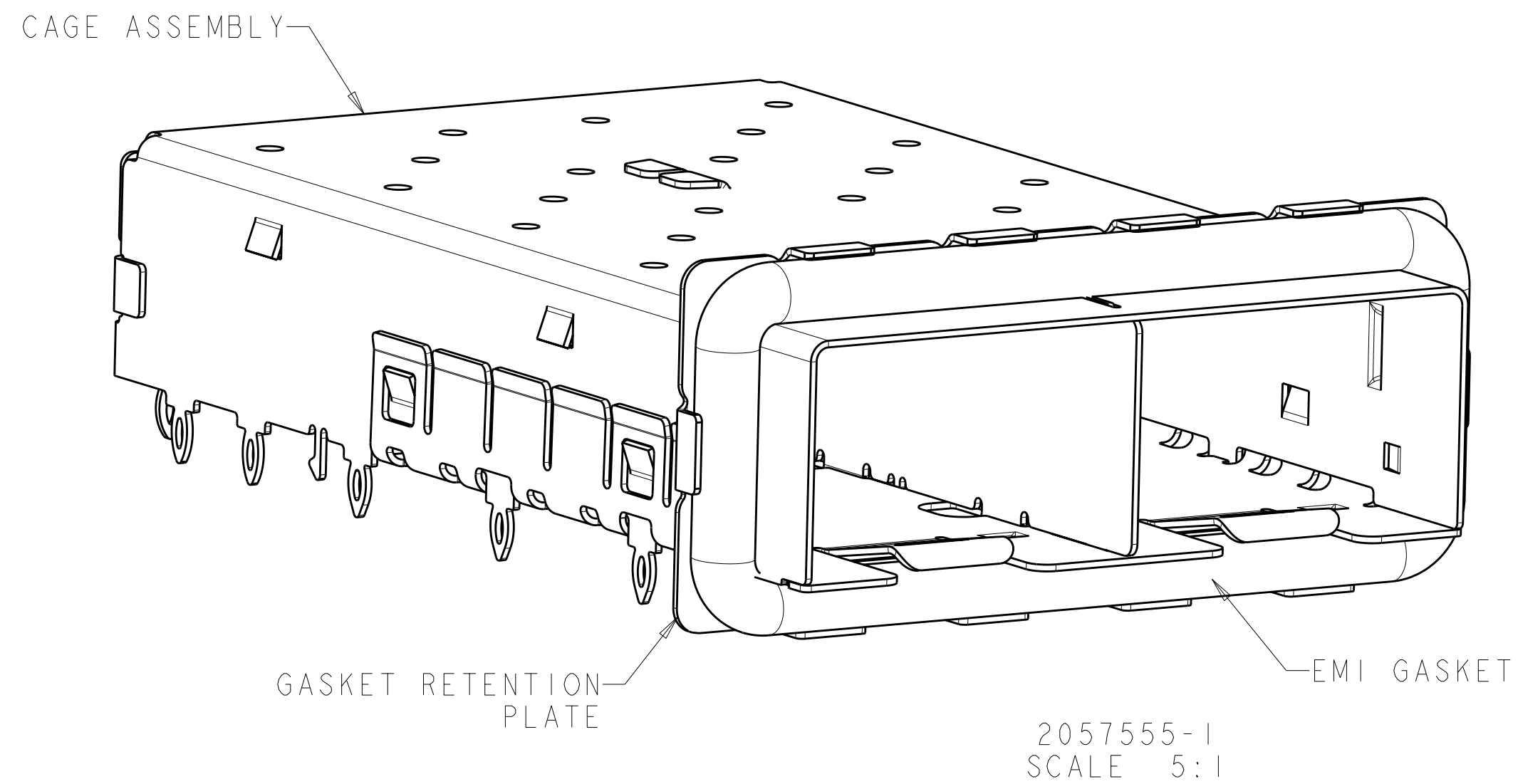
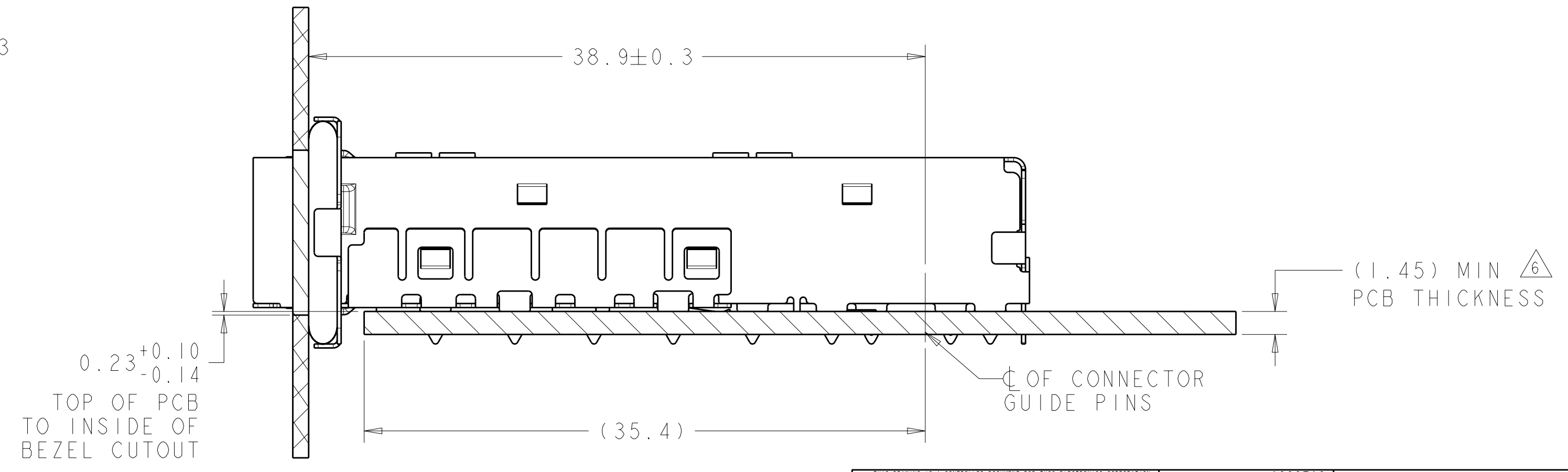
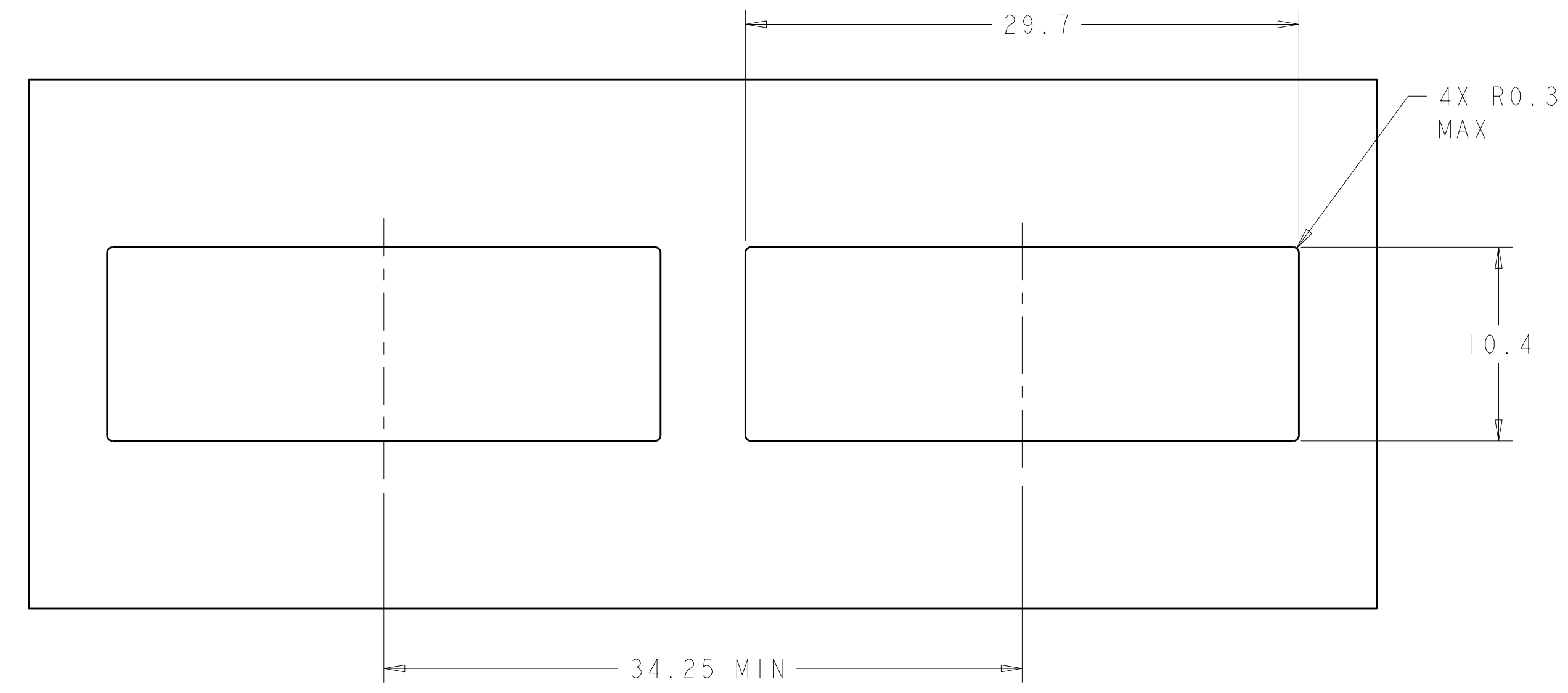
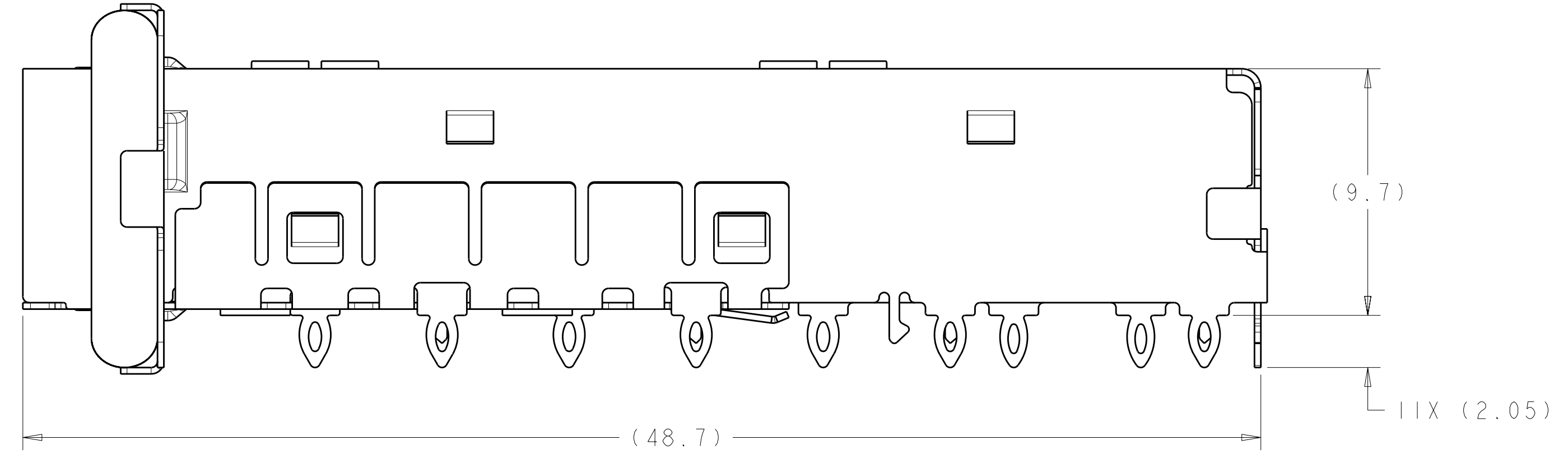
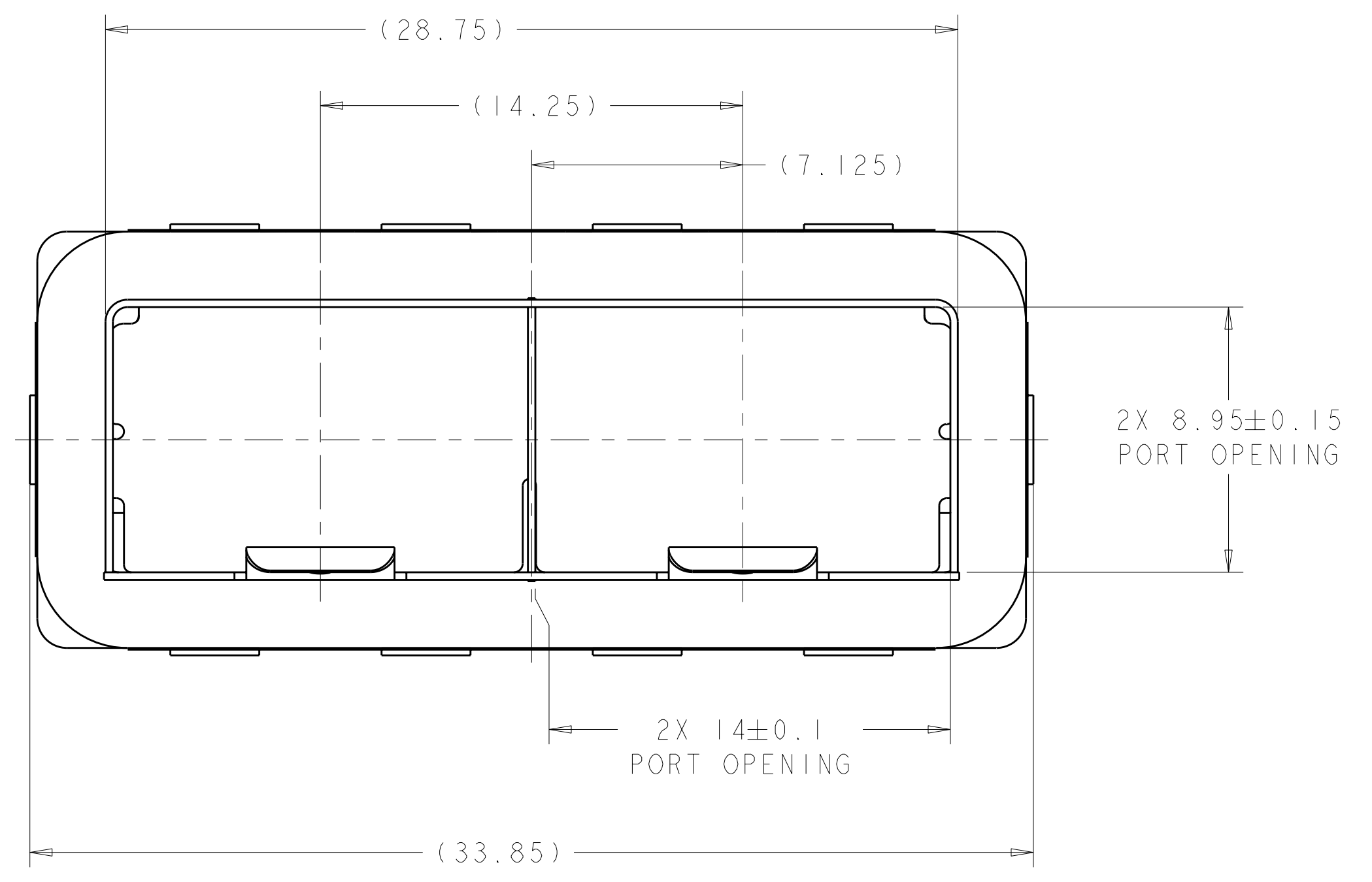


LOC	DIST	REV	DATE	BY	APPD
GP	00	A	11FEB2011	CJV	JTL



- △ MATERIAL:  
CAGE ASSEMBLY: NICKEL SILVER ALLOY, 0.25mm THK  
GASKET RETENTION PLATE: STAINLESS STEEL  
EMI GASKET: PLATED FILLED SILICONE.
- △ DATUM AND BASIC DIMENSIONS ESTABLISHED BY CUSTOMER.
- 3. MATES WITH SFP MSA COMPLIANT RECIEVERS.
- △ PADS AND VIAS CHASSIS GROUND.
- 5. INTERPRETATION OF DATUM REFERENCE FRAME IN ACCORDANCE WITH SECT 4.4.1.1 OR ASME Y14.5M-1994.
- △ MINIMUM PC BOARD THICKNESS:  
SINGLE SIDED: 1.45mm
- △ HOLE PATTERN REPEATS FOR EACH PORT, SPACING BETWEEN PORTS IS 14.25mm.
- △ REFERENCE APPLICATION SPEC. 114-13120, HOLE A, FOR RECOMMENDED DRILL HOLE DIAMETER AND PLATING THICKNESS.
- △ REFERENCE APPLICATION SPEC. 114-13120, HOLE B, FOR RECOMMENDED DRILL HOLE DIAMETER AND PLATING THICKNESS.



RECOMMENDED BEZEL CUT-OUT  
SCALE 4:1

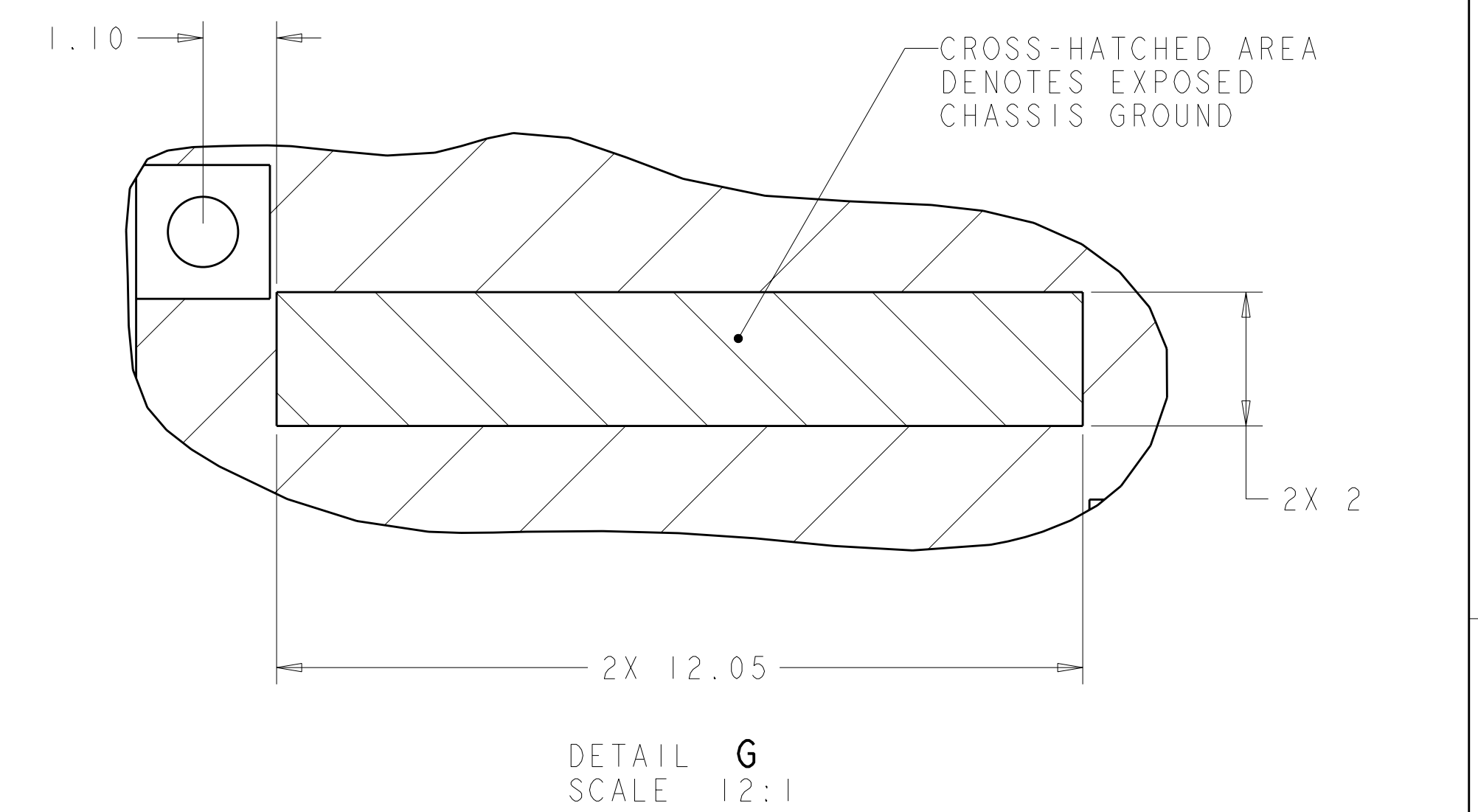
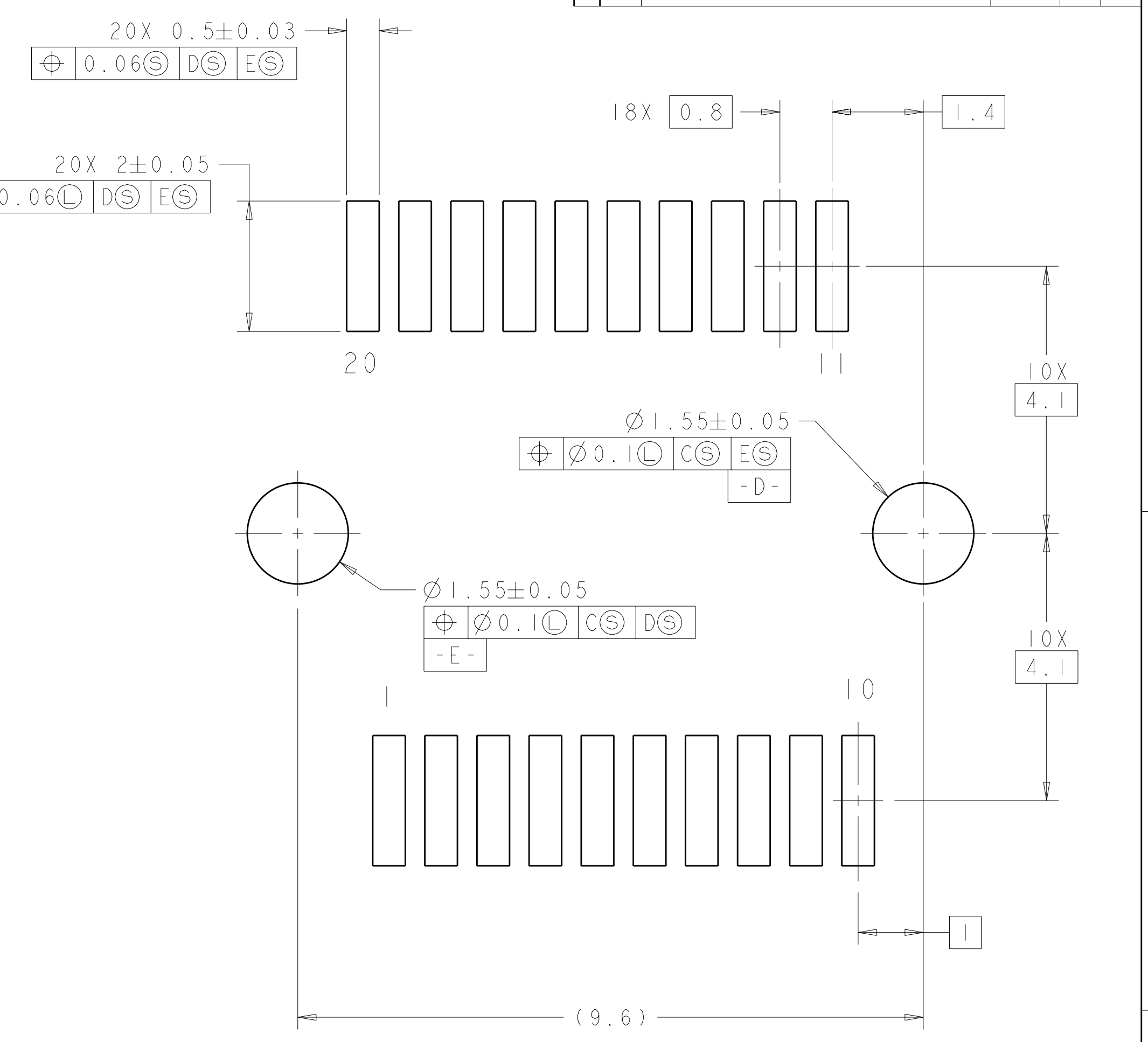
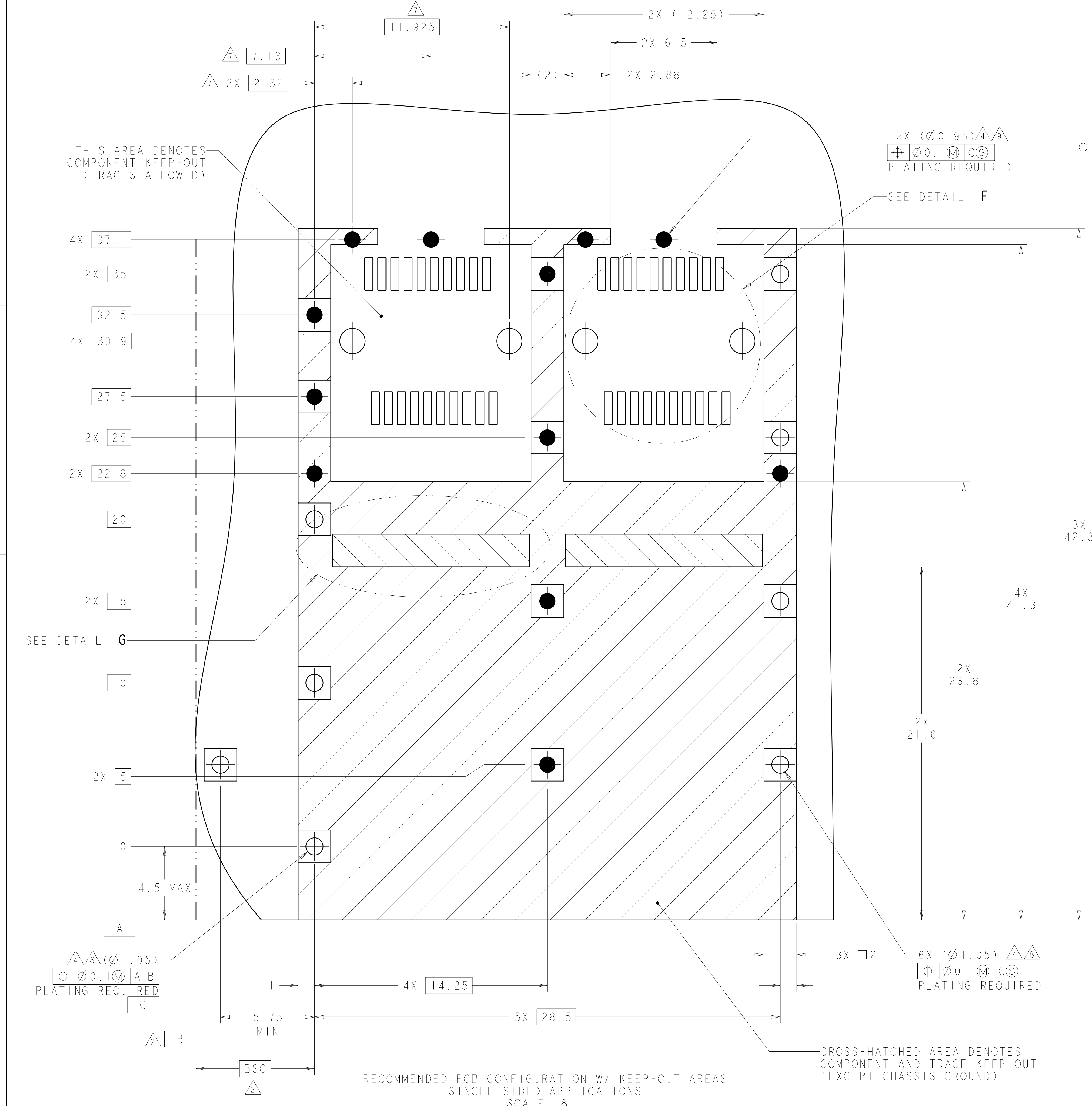
2057555-1  
PART  
NUMBER

DIMENSIONS: mm 		TOLERANCES UNLESS OTHERWISE SPECIFIED: 9 PLC ±0.13 1 PLC ±0.1 3 PLC ±0.08 5 PLC ±0.05 4 PLC ±0.05 ANGLES ±1		DWN B. MCMASTER 02OCT08 CHY M. SCHMITT 02OCT08 APVD M. SCHMITT 02OCT08 PRODUCT SPEC 108-2364 APPLICATION SPEC 114-13120 WEIGHT CUSTOMER DRAWING		Tyco Electronics Harrisburg, PA 17105-3608 NAME SFP+ ENHANCED 1X2 CAGE ASSEMBLY, PRESS-FIT, EMI GASKET SIZE CAGE CODE DRAWING NO. RESTRICTED TO A1100779C=2057555 SCALE 6:1 SHEET 1 OF 2 REV A	
-----------------------	--	--	--	---	--	---	--

LOC	DIST	REV	DATE	BY	APPD
GP	00				

REVISIONS		DATE	BY	APPD
-	SEE SHEET 1	-	-	-



DIMENSIONS: mm 		TOLERANCES UNLESS OTHERWISE SPECIFIED: 9 PLC ±0.13 1 PLC ±0.1 2 PLC ±0.08 3 PLC ±0.05 4 PLC ±0.05 ANGLES ±0.5 FINISH #1		DWN B MCMMASTER 02OCT08 CHK M SCHMITT 02OCT08 APVD M SCHMITT 02OCT08 PRODUCT SPEC 108-2364 APPLICATION SPEC 114-13120 WEIGHT CUSTOMER DRAWING		Tyco Electronics Harrisburg, PA 17105-3608 NAME SFP+ ENHANCED 1X2 CAGE ASSEMBLY, PRESS-FIT, EMI GASKET SIZE CAGE CODE DRAWING NO. RESTRICTED TO A 100779 C=2057555 SCALE 6:1 SHEET 2 OF 2 REV A	
-----------------------	--	--	--	---	--	--	--

# Mouser Electronics

Authorized Distributor

Click to View Pricing, Inventory, Delivery & Lifecycle Information:

[TE Connectivity:](#)

[2057555-1](#)