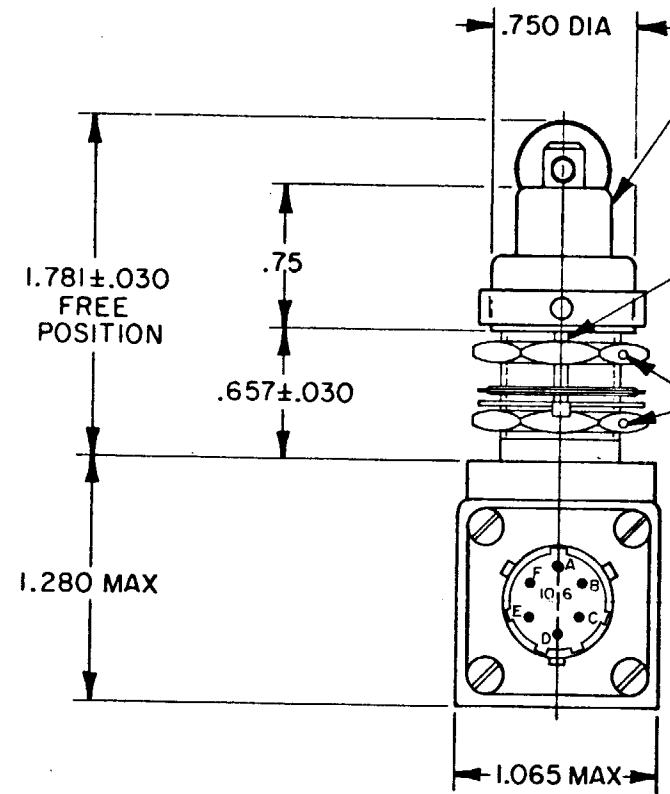
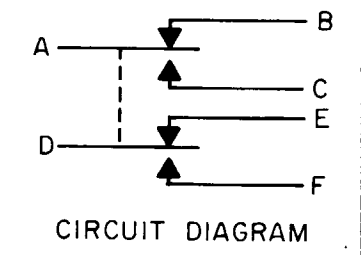


MICRO SWITCH
 FREEPORT ILLINOIS U.S.A.
 A DIVISION OF HONEYWELL
 FED. MFG. CODE 91929

SWITCH-ENCLOSED

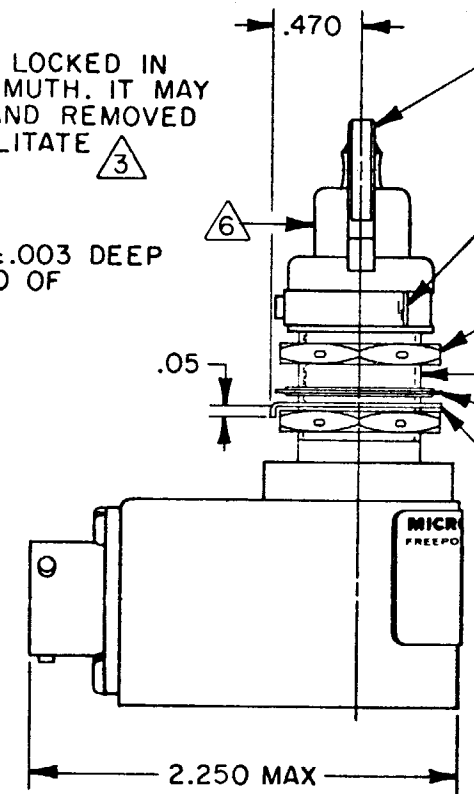
CATALOG LISTING
21EN51-R3 ★



ROLLER GUIDE MAY BE LOCKED IN INCREMENTS OF 45° AZIMUTH. IT MAY ALSO BE UNSCREWED AND REMOVED FROM BUSHING TO FACILITATE INSTALLATION

.072±.004 WIDE X .038±.003 DEEP KEYWAY TO WITHIN .250 OF SHOULDER

.047 DIA HOLE FOR WIRE LOCKING



.5 DIA X .12 WIDE CORROSION RESISTANT STEEL ROLLER

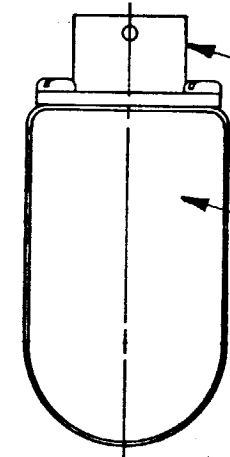
ROLLER GUIDE LOCK RING

CORROSION RESISTANT STEEL HEX NUT, .812 ACROSS FLATS X .125 THICK (2)

5/8-24 UNEF THREAD TO WITHIN .125 OF SHOULDER

CORROSION RESISTANT STEEL INTERNAL TOOTH LOCKWASHER, .87 DIA X .022 REF THICK

CORROSION RESISTANT STEEL KEYING WASHER, (MS 25081C6) .87 DIA X .040 THICK, TAB .110 WIDE

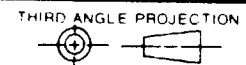


CONNECTOR TO MATE WITH MS-3476E10-6S

LEADS EMBEDDED AND SEALED WITH EPOXY CASTING RESIN AND SEALER

M 21EN51-R3
 DRAWING NUMBER
 ISSUE 12
 REVISIONS
 A CO 44351
 S L B 14 SEPT 79
 B CO47573 PART 4
 R J H 8 AUG 80
 C CO 48563-B
 W J M 26 OCT 81
 D CO68501
 T S M 22 FEB 91
 E CO71719
 L J F 3 JAN 92
 FO-52851-A
 DRAWN
 S L B 14 SEPT 79
 CHECK
 C E 3 30 17 70
 CHECK
 REPLACES
 PR-2840

THIS DRAWING COVERS A PROPRIETARY ITEM AND IS THE PROPERTY OF MICRO SWITCH, A DIVISION OF HONEYWELL. THIS DRAWING IS NOT TO BE COPIED OR USED WITHOUT THE APPROVAL OF MICRO SWITCH.



SCALE FULL	
DO NOT SCALE PRINT	
TOLERANCES	
APPLY TO DESIGN UNITS. CONVERSIONS ARE ONLY FOR REFERENCE. UNLESS NOTED, TOLERANCES ARE ±	
DIM. mm	TOL. mm/in
NO PLACES	1/04
ONE PLACE	0.4/016
TWO PLACES	0.15/006
THREE PLACES	0.38/015
ANGLES	0.13/005
DESIGN UNITS	SI METRIC <input type="checkbox"/> US CUSTOMARY <input checked="" type="checkbox"/>
RAW MATERIAL-COMMERCIAL STANDARD MICRO SWITCH STANDARDS APPLY	
DIMENSIONS ARE TO BE MET BEFORE PROTECTIVE COATINGS ARE APPLIED	
WEIGHT 6 OZ MAX	

CHARACTERISTICS		ELECTRICAL DATA	
OPERATING FORCE	3- 6 LB	CONTACT ARRANGEMENT	
FULL OVERTRAVEL FORCE	17 LB MAX	S P D T (2)	
RELEASE FORCE	2 LB MIN	LOAD	28 VDC
PRETRAVEL	.040 MAX	SEA LEVEL	50,000 FT.
DIFFERENTIAL TRAVEL	.020 MAX	RES	4
OVERTRAVEL	.250 MIN	IND	2
		MOTOR	4

- NOTES
- 1 - CORROSION RESISTANT STEEL ENCLOSURE
 - 2 - SWITCH SEALED PER MIL-S-8805 SYMBOL 4
 - 3 - TO ADJUST ROLLER DIRECTION, REMOVE ROLLER GUIDE LOCK RING, SCREW ROLLER GUIDE DOWN AS FAR AS POSSIBLE, THEN UNSCREW TO DESIRED DIRECTION. SECURE BY REPLACING ROLLER GUIDE LOCK RING
 - 4 - CIRCUIT DIAGRAM AND CATALOG LISTING ARE SHOWN ON NAMEPLATE
 - 5 - COINCIDENCE OF OPERATING AND RELEASING POINTS: .010 OF PLUNGER TRAVEL
 - 6 - HARDWARE MAY BE PACKAGED UNASSEMBLED PER MIL-S-8805

Mouser Electronics

Authorized Distributor

Click to View Pricing, Inventory, Delivery & Lifecycle Information:

[Honeywell:](#)

[21EN51-R3](#)