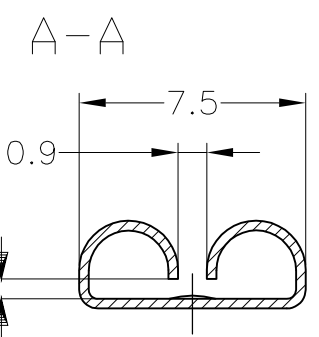
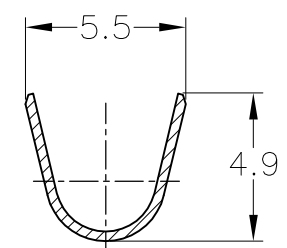
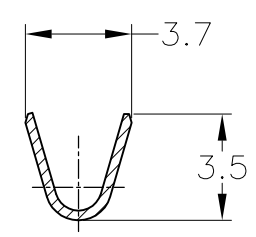
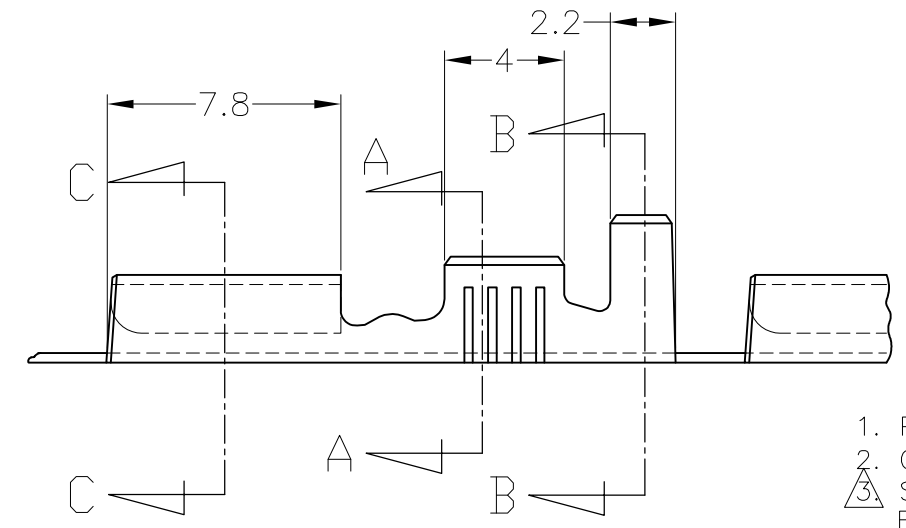
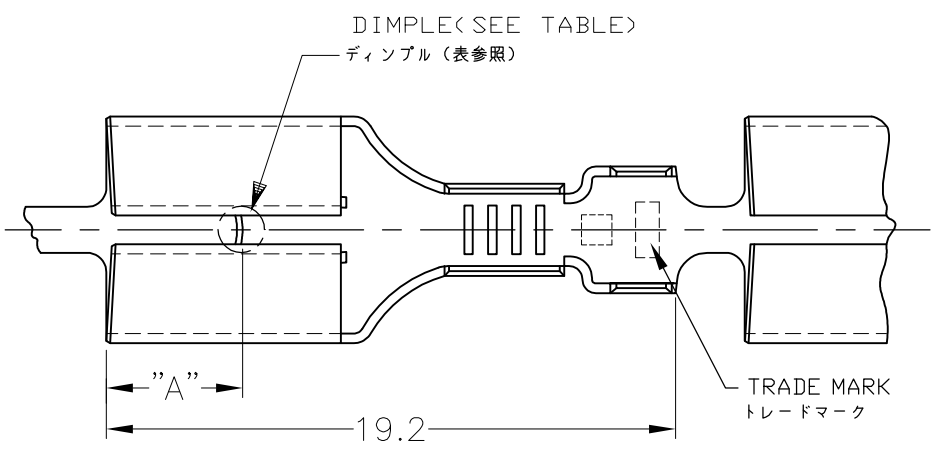


THIS DRAWING IS UNPUBLISHED. RELEASED FOR PUBLICATION
 © COPYRIGHT 2004 By - ALL RIGHTS RESERVED.

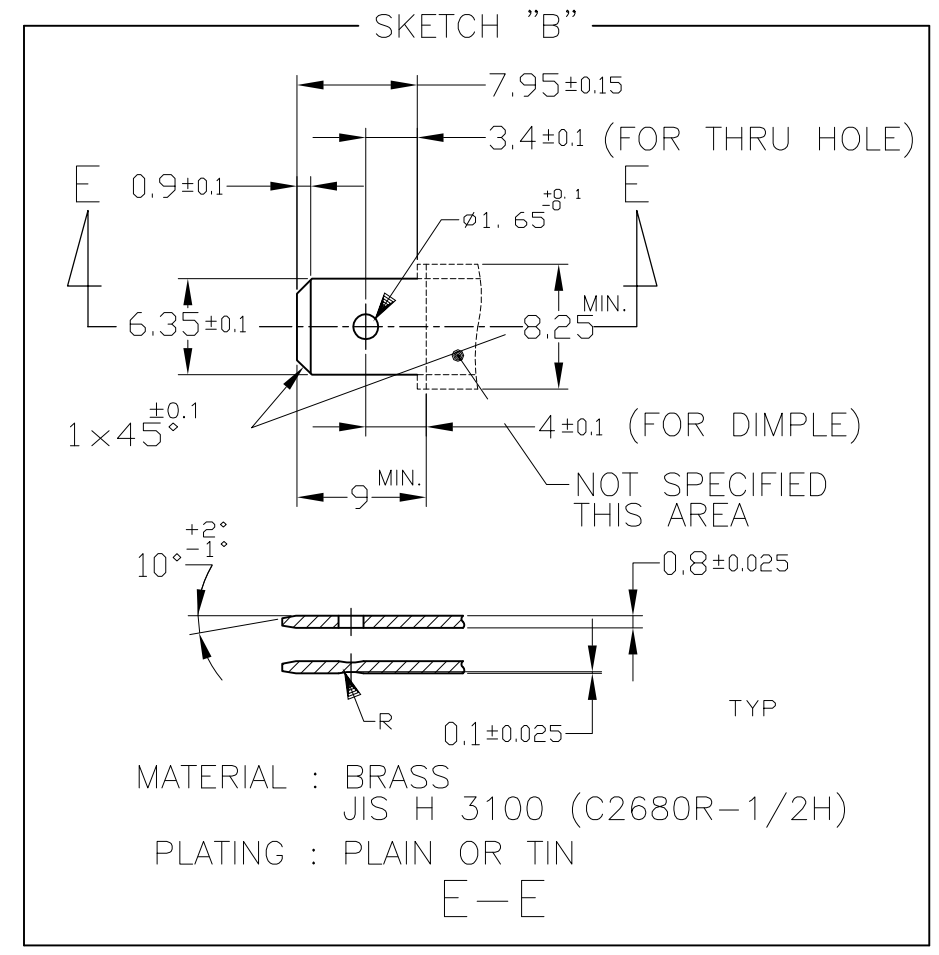
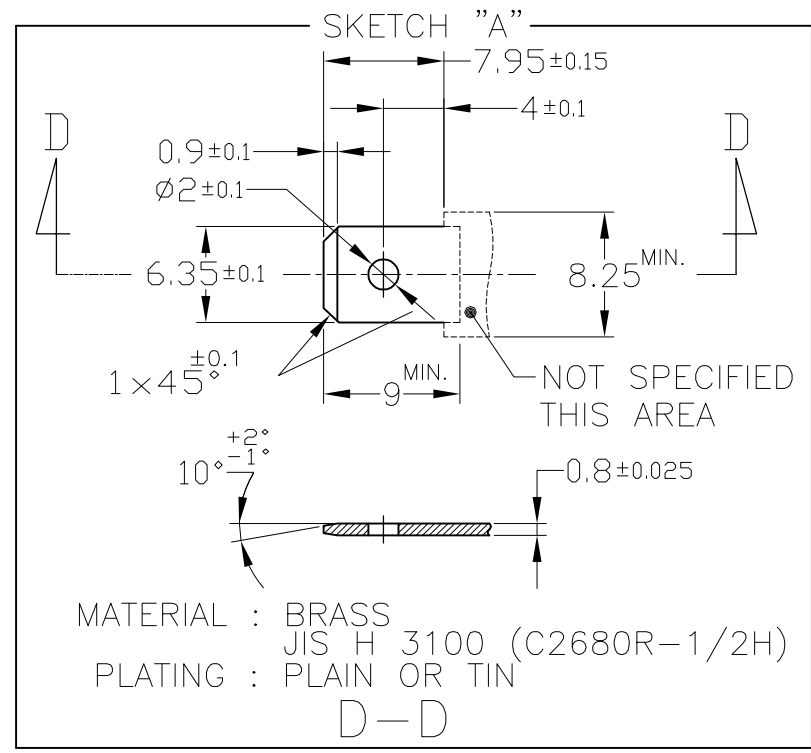
LOC	DIST	REVISIONS					
		P	LTR	DESCRIPTION	DATE	DWN	APVD
J	-		U2	REVISED PER ECR-15-013317	11MAR11	L.P	T.D
			U3	REVISED PER ECR-16-015552	3NOV2016	D.L	T.D



この寸法は嵌合力によって管理する。
 THIS DIMENSION IS CONTROLLED WITH MATING FORCE.

C-C

推奨タブ図
 RECOMMENDED TAB DIMENSIONS



- PRODUCT SPEC : 108-5153, 108-5169
- CRIMP SPEC : 114-5052
- STRESS RELIEVING FINISH IS SUBJECT TO CHANGE BY THE TYPE OF STRESS RELIVING PROCESS
 INERT GAS FURNACE - - - -MATTE
 ATMOSPHERIC FURNACE FOLLOWED BY ACID PICKLE - - - -BRIGHT
- ELIMINATION STRESS RELIVING PROCESS
- PRODUCT SPECIFICATION: 108-5147
- QUALIFICATION TEST REPORT: 501-5050

△ SEPARATE PAPER TYPE

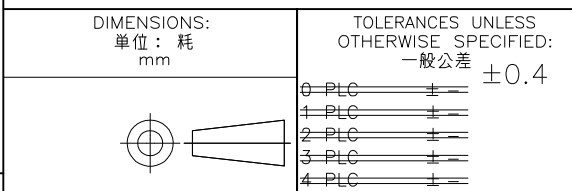
- 製品規格 : 108-5153, 108-5169
- 取付適用規格 : 114-5052
- ストレス除去処理
 処理方法により外観が変わります。
 不活性ガス加熱方式 - - - 無光沢
 大気加熱方式 - - - 光沢
- ストレス除去処理をしない。
- 製品規格 : 108-5147
- 認定試験報告書 : 501-5050

OBSOLETE AMP AUSTRALIAN PRODUCT
 オブsolete オーストラリア製

OBSOLETE SKETCH "A" OR "B"

170030-1 OR EQUIVALENT TO 170030	W/O DIMPLE	---	BRASS	---	---	8-170032-7
170256-3 OR EQUIVALENT TO 170256	W/O DIMPLE	TIN PLATING	BRASS	---	179461-5	6-170032-5
170030-1 OR EQUIVALENT TO 170030	W/O DIMPLE	△	BRASS	---	---	6-170032-2
170030-3 OR EQUIVALENT TO 170030	W/O DIMPLE	TIN PLATING 錫メッキ	ZKLF-5 #4	---	---	170032-6
170256-3 OR EQUIVALENT TO 170256	W/O DIMPLE	TIN PLATING 錫メッキ	BRASS	---	179461-5	170032-5
SKETCH, "A"	WITH DIMPLE	TIN PLATING 錫メッキ	BRASS	4.5	---	170032-4
OBSOLETE SKETCH "A" OR "B"	WITH DIMPLE	---	BRASS	3.8	---	170032-3
170030-1 OR EQUIVALENT TO 170030	W/O DIMPLE	---	BRASS	---	---	170032-2
SKETCH, "A"	WITH DIMPLE	---	BRASS	4.5	---	170032-1
MATING TAB	DIMPLE	FINISH	MATERIAL	"A"	LOOSE PIECE NUMBER	PART NUMBER

THIS DRAWING IS A CONTROLLED DOCUMENT.



WIRE RANGE	0.5-2.27mm ² (AWG20-14)
INSULATION DIA.	2.16~3.43mmφ

MATERIAL 0.32 THK
 FINISH 仕上げ
 SEE TABLE △

DWN	A.YAMAGUCHI	23JUN04
CHK	K.BETSUI	19SEP2015
APVD	K.BETSUI	23JUN04
PRODUCT SPEC	製品規格	SEE NOTE
APPLICATION SPEC	取付適用規格	-
WEIGHT		



250 SERIES RECEPTACLE
 WITHOUT LATCH

SIZE	A3	CAGE CODE	00779	DRAWING NO	G-170032	RESTRICTED TO	-
------	----	-----------	-------	------------	----------	---------------	---

CUSTOMER DRAWING SCALE 4:1 SHEET 1 OF 1 REV U3

Mouser Electronics

Authorized Distributor

Click to View Pricing, Inventory, Delivery & Lifecycle Information:

[TE Connectivity:](#)

[170032-5](#) [170032-5 \(Cut Strip\)](#)