

TIN LEAD PART NUMBER
 Part number **HM1L52ZDP494H6P**

LEAD FREE PART NUMBER
 Part number **HM1L52ZDP494H6PLF**

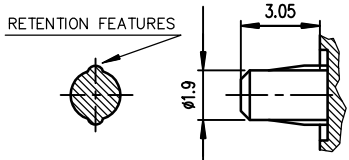
TABLE-1

	CONTACT CODE		QTE
	DIM-P	DIM-D	
01	5.00		02
02	5.75		-
03	6.50		53
04	7.25		--
19	8.00		05

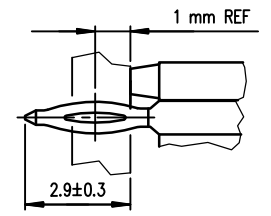
FIGURE-1

	1	2	3	4	5	6	7	8	9	10	11	12
E	03	03	03	03	03	03	03	03	03	03	01	19
D	03	03	03	03	03	03	03	03	03	03	03	19
C	03	03	03	03	03	03	03	03	03	03	03	19
B	03	03	03	03	03	03	03	03	03	03	03	19
A	01	03	03	03	03	03	03	03	03	03	03	19

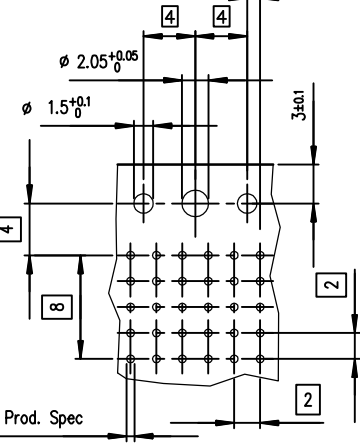
DETAIL OF FORCE-FIT PEGS



DETAIL-1: PRESS-FIT PIN



LAYOUT FOR P.C.B (PER 12mm LENGTH)



SPECIFIC DATAS: SELECTIVE CONTACT LOADING

- NOTE-2: FLAT ROCK INSERTION TOOLING, ON ALL THIS SURFACE
- NOTE-3: EYE OF THE NEEDLE PRESS FIT PIN TYPE
- NOTE-4: REAR CENTRAL SUPPORT FOR BETTER ASSY ON PCB

GENERAL CHARACTERISTICS AND ROHS INFORMATIONS:
 SEE PRODUCT SPECIFICATION GS-12-445

European Views

www.fciconnect.com		surface ISO 1302	tolerance std ISO 406 ISO 1101	projection mm
		TOLERANCES UNLESS OTHERWISE SPECIFIED		size A3
Dr	M LENOIR	27/04/20	ANGULAR	Scale 2.5
Eng	M LENOIR	2005/03/23	LINEAR	ECN DG09-0326
Chr	LEGARE	2005/03/23	0.XX ±2	Spec ref -
Appr	LEGARE	2005/03/23	0.XXX ±0.1	
Product family			METRAL	
title METRAL RA HDR 5 ROW PFIT 2MOD - Specific loading				Rev. F
catalog no				dwg no C-8626-11307
CUSTOMER				sheet 1 of 1

rev	ecn no	dr	date
A	LS05-0074	MLE	2005/03/23
B	LS06-0097	LGO	2006/07/21
C	LS07-0028	MLE	2007/07/27
D	LS07-0184	MLE	2007/07/27
E	LS08-0042	MLE	2008/02/04
F	DG09-0326	Canh	2009/10/22

REDUCED SCALE SHEET



Copyright FCI

Mouser Electronics

Authorized Distributor

Click to View Pricing, Inventory, Delivery & Lifecycle Information:

[FCI / Amphenol:](#)

[HM1L52ZDP494H6PLF](#)