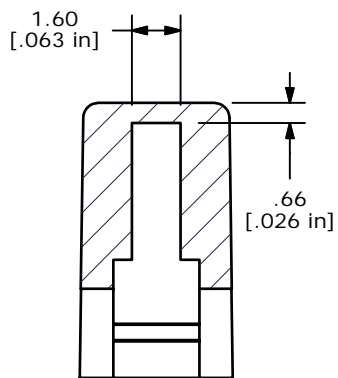
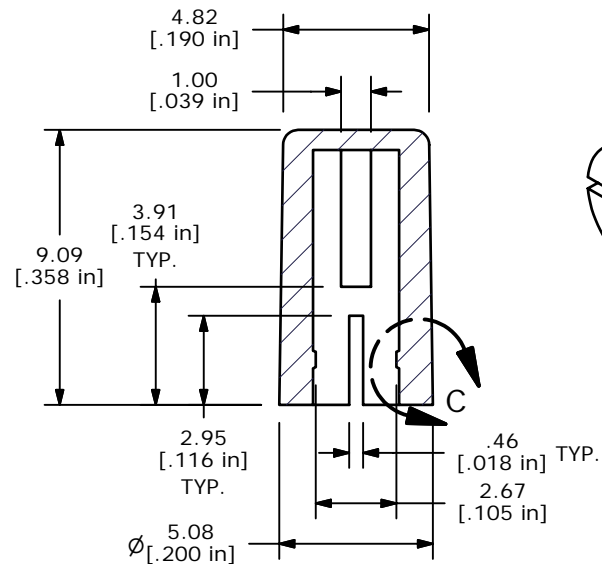


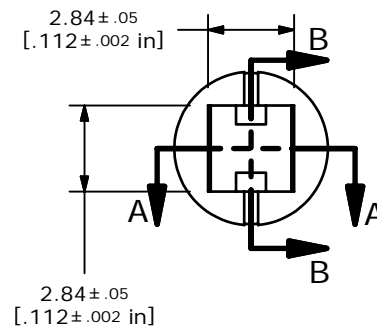
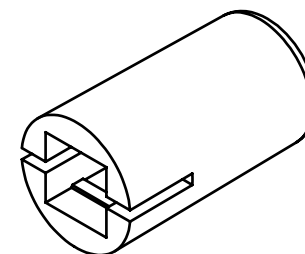
DETAIL C  
SCALE 16 : 1



SECTION B-B  
SCALE 4 : 1



SECTION A-A  
SCALE 4 : 1



NOTES:

1. ALL DIMENSIONS IN MM [INCH]
2. GENERAL TOLERANCE: X.XX=±0.15
- ▲ 3. MATERIAL: ABS, UL94V0
- ▲ 4. COLOR: WHITE
5. ▲ DENOTES CRITICAL PARAMETER.

**E-SWITCH®**

B	15250	UPDATED DESCRIPTION	9/8/05	PH
A	15107	RELEASED FOR PRODUCTION	8/4/05	BK
REV	PCR NO	DESCRIPTION	DATE	BY

<b>E-SWITCH®</b>				
TITLE 1RWHT				
SCALE	DATE	DR	DWG	REV
4:1	8/4/2005	BK	Q800301	B

THE INFORMATION CONTAINED IN THIS DOCUMENT IS PROPRIETARY TO E-SWITCH AND IS NOT TO BE COPIED OR TRANSFERRED

# Mouser Electronics

Authorized Distributor

Click to View Pricing, Inventory, Delivery & Lifecycle Information:

[E-Switch:](#)

[1RWHT](#)