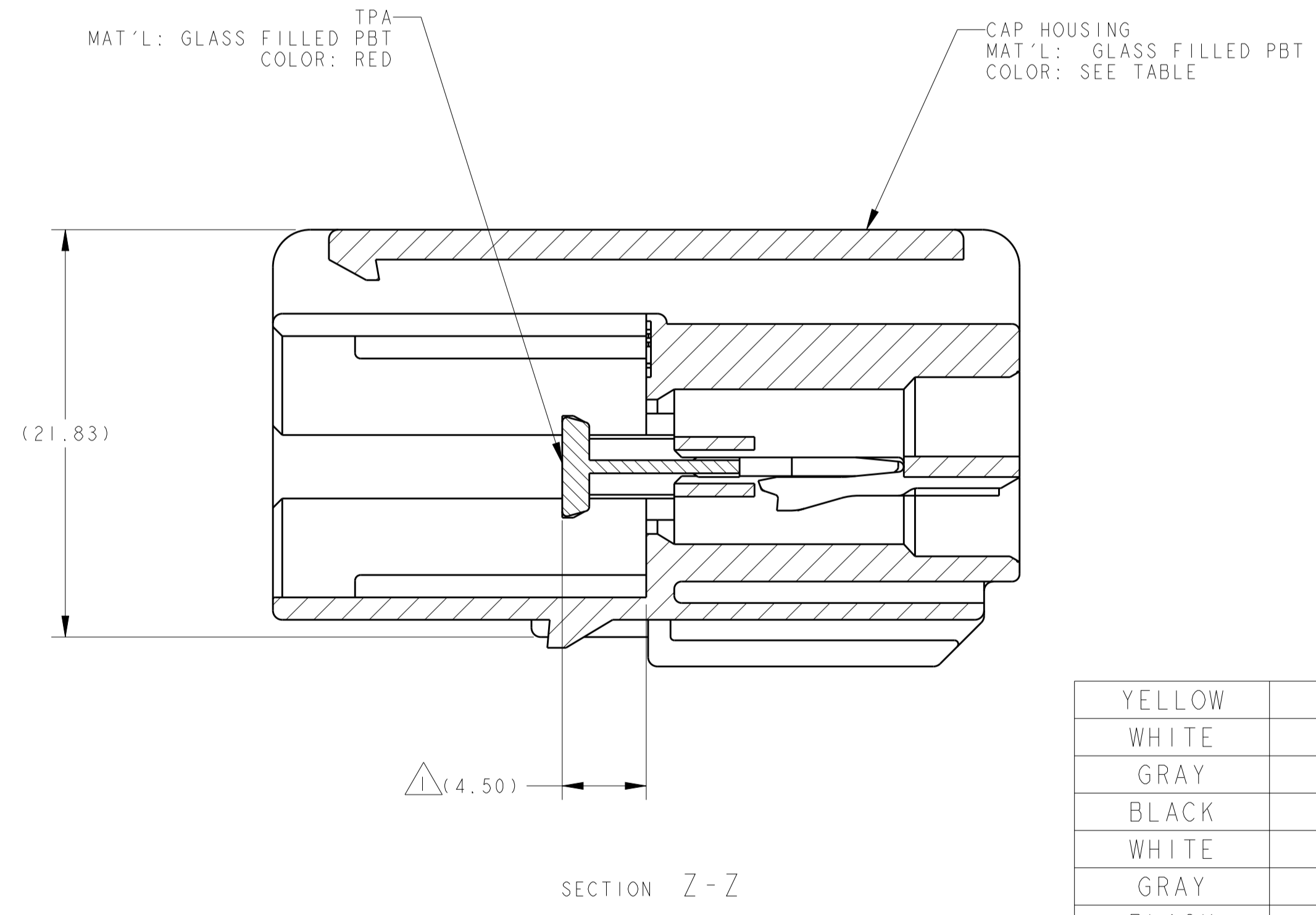
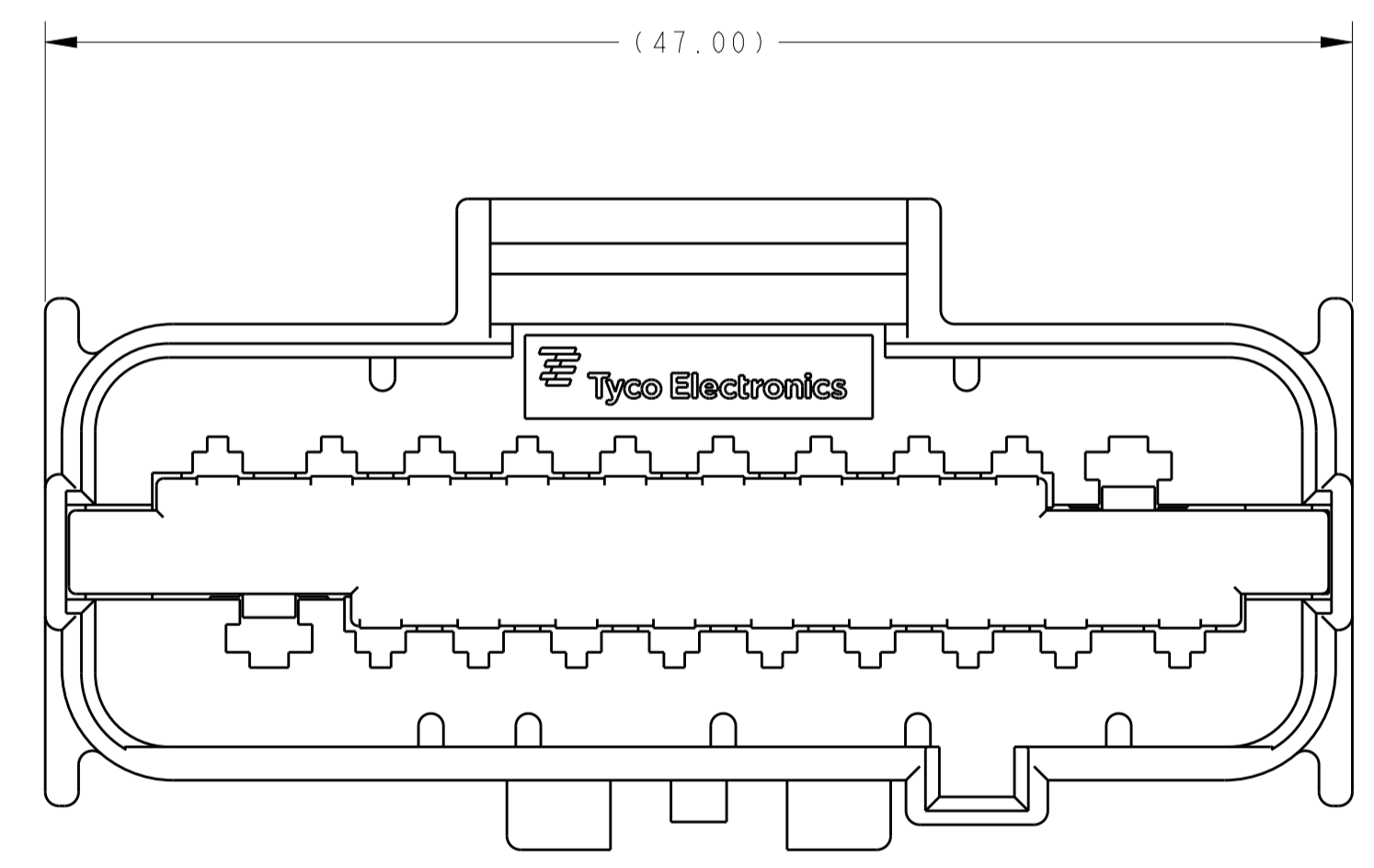
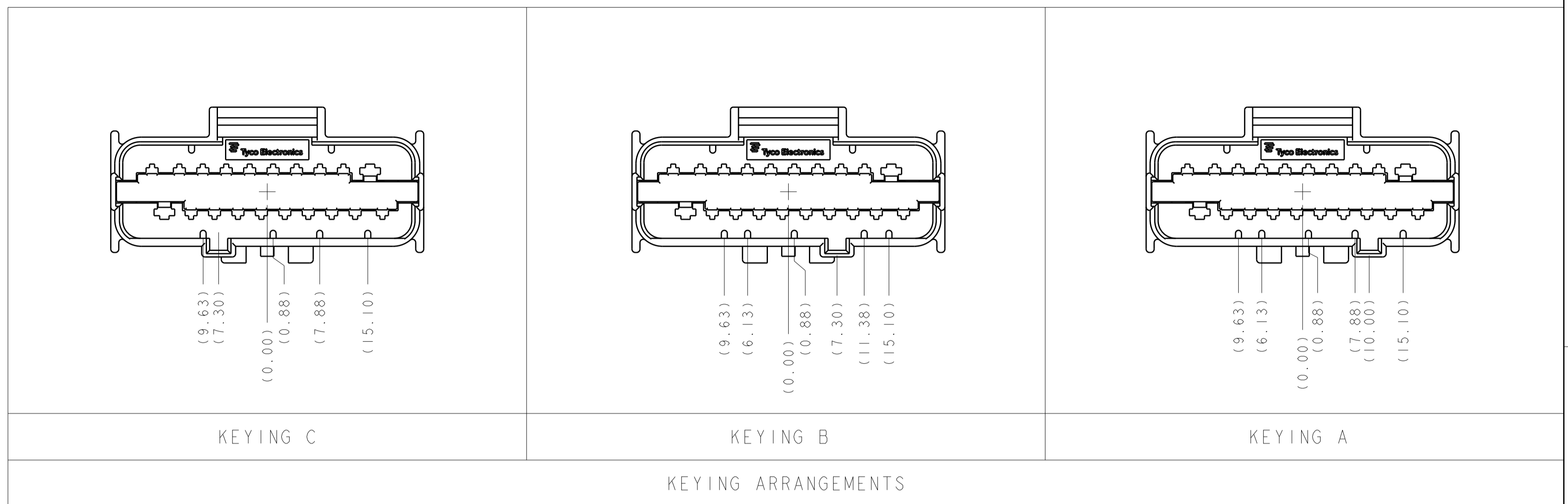
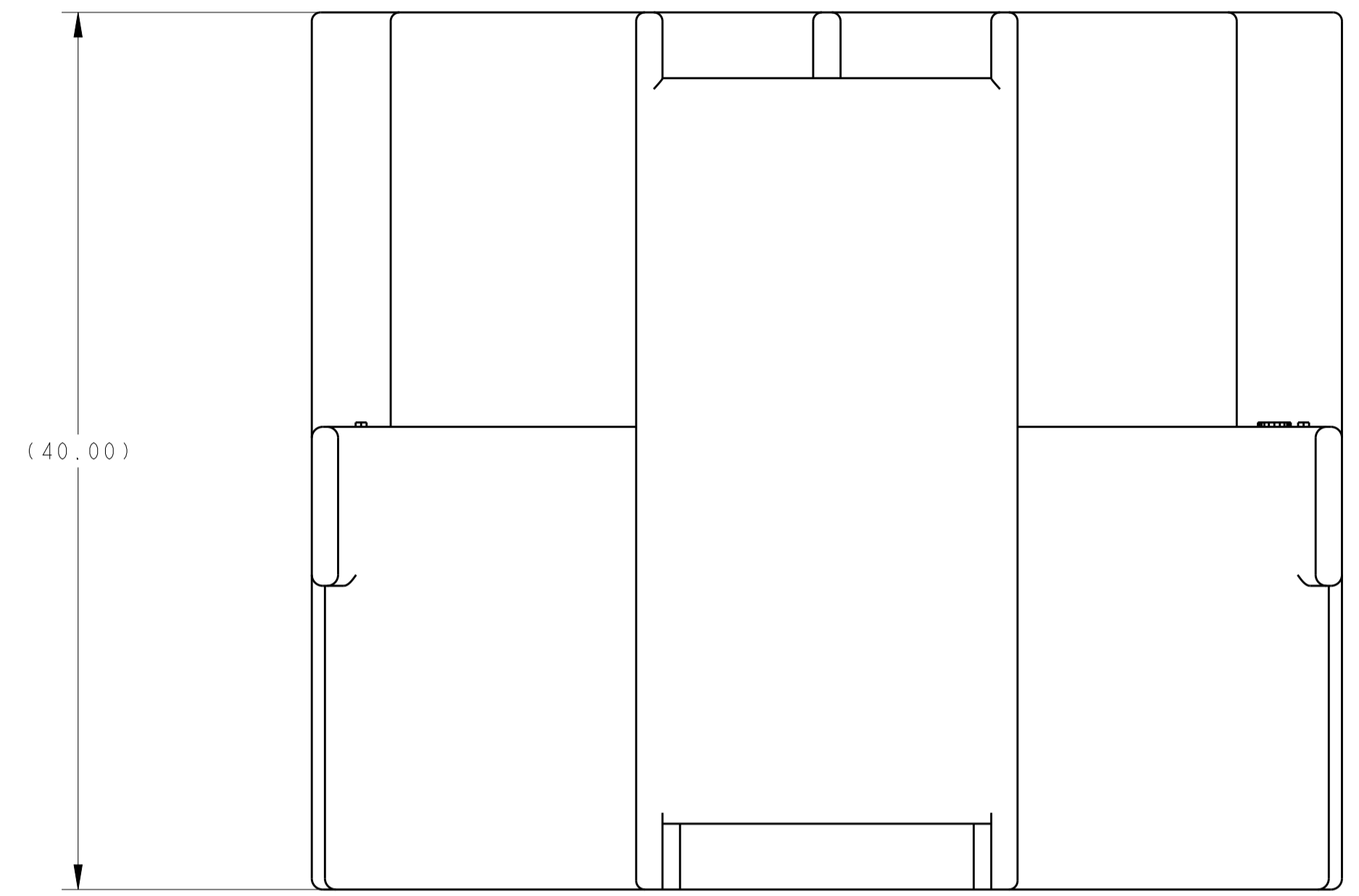


REVISIONS				
P.	LTN	DESCRIPTION	DATE	APVD
1		FIRST DRAFT	27AUG2009	MBH BB
2		REVISED	15FEB2010	JRS BSB
A		ECR-10-025922	22DEC2010	HM BB
A1		ECR-14-007751	30MAY2014	VP ML



- 1. TPA SHIPPED IN STAGED POSITION
- 2. THIS CAP CONNECTOR MATES WITH CAP CONNECTOR, TYCO ELECTRONICS DRAWING NUMBER 2098377 AND IS INTENDED FOR CLASS 2 (105°C MAX) APPLICATIONS
- 3. SEE INSTRUCTION SHEET 408-10433.

HOUSING COLOR	MOUNTING CLIP COMPATIBILITY	KEYING	PART NUMBER
YELLOW	STANDARD	A	1-2098380-0
WHITE	EPC	C	2098380-9
GRAY	EPC	B	2098380-8
BLACK	EPC	A	2098380-7
WHITE	NONE	C	2098380-6
GRAY	NONE	B	2098380-5
BLACK	NONE	A	2098380-4
WHITE	STANDARD	C	2098380-3
GRAY	STANDARD	B	2098380-2
BLACK	STANDARD	A	2098380-1

THIS DRAWING IS A CONTROLLED DOCUMENT.

DIMENSIONS: mm
 TOLERANCES UNLESS OTHERWISE SPECIFIED:
 0 PLC ±0.0
 1 PLC ±0.3
 2 PLC ±0.1
 3 PLC ±0.0
 4 PLC ±0.0
 ANGLES ±0.0
 FINISH: SEE CALLOUT

DWG: M. HITCHCOCK
 CHK: B. BUCHTER
 APVD: B. BUCHTER
 DATE: 27AUG2009

STE TE Connectivity
 NAME: CAP ASSEMBLY, 20 POSN UNSEALED HYBRID CONNECTOR
 SIZE: A100779
 CAGE CODE: C=2098380
 SCALE: 4:1 SHEET 1 OF 1 REV A1

Mouser Electronics

Authorized Distributor

Click to View Pricing, Inventory, Delivery & Lifecycle Information:

[TE Connectivity:](#)

[2098380-2](#)