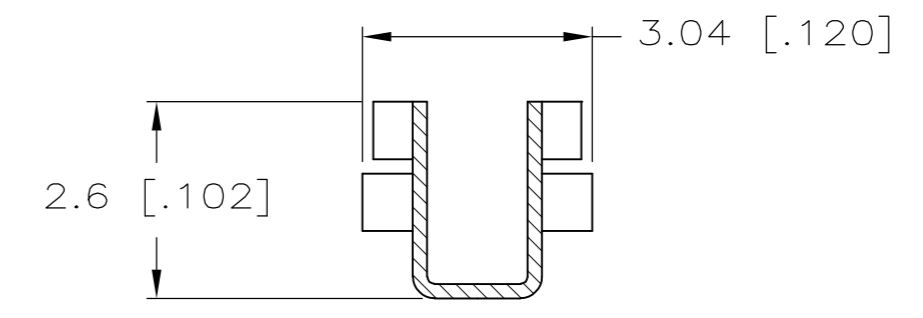
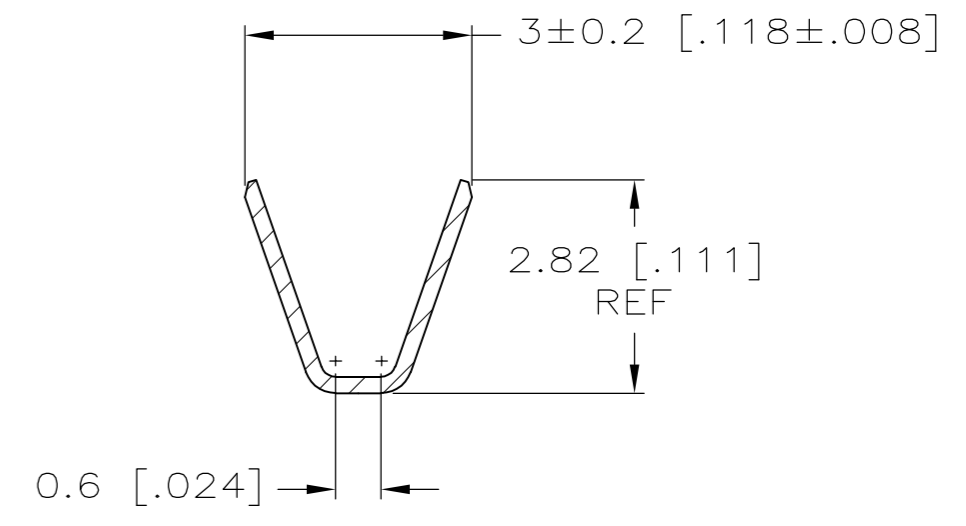
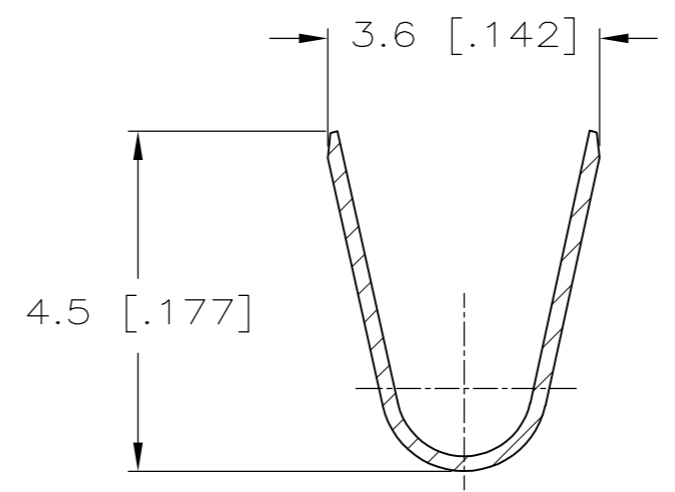
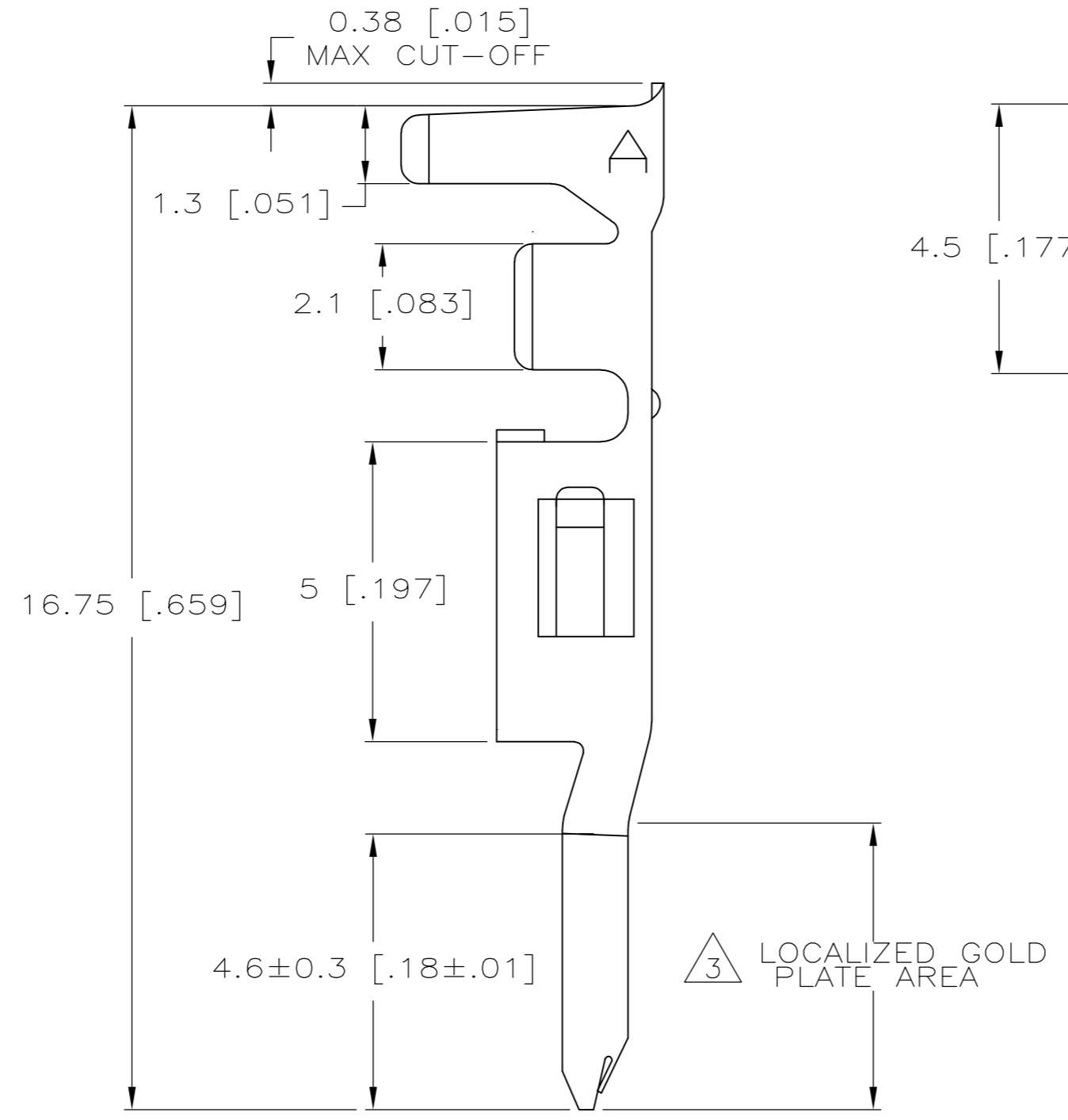
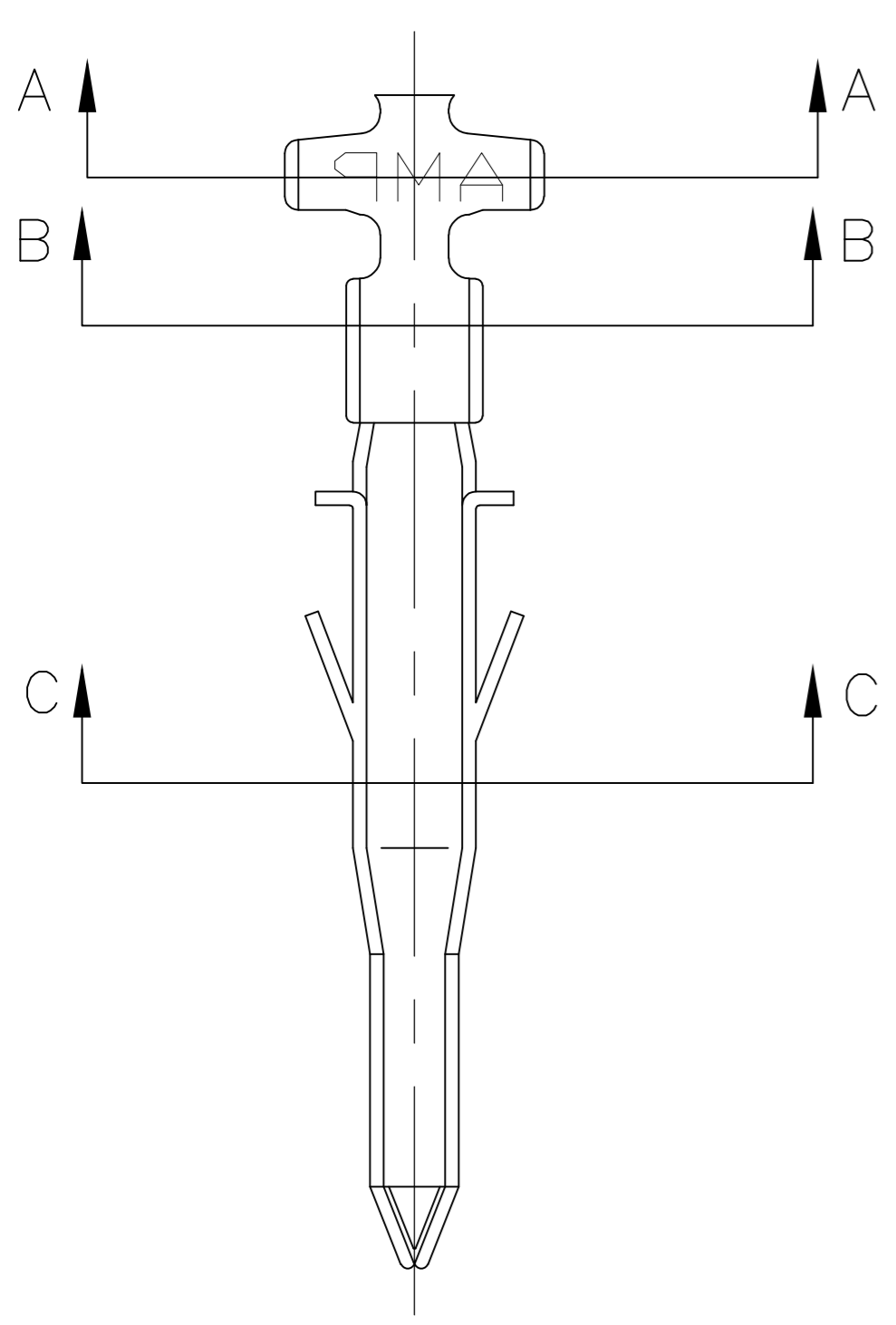


THIS DRAWING IS UNPUBLISHED. RELEASED FOR PUBLICATION  
 © COPYRIGHT BY TYCO ELECTRONICS CORPORATION. ALL RIGHTS RESERVED.

LOC	DIST	REVISIONS			
P	LTR	DESCRIPTION	DATE	DWN	APVD
CM	00	B1	REVISED PER ECO-08-027061	05NOV08	HMR CC

1. WIRE RANGE: 1.31mm<sup>2</sup> (16 AWG)
2. INSULATION RANGE: 3.10 [.122] DIA.
3. FINISH: 0.76µm [.000030 in] GOLD IN LOCALIZED GOLD PLATE AREA OVER 1.27µm [.00005 in] MINIMUM NICKEL.
4. FINISH: 2.54µm [.00001 in] MINIMUM TIN IN LOCALIZED TIN PLATE AREA.



3 4	PHOS. BRZ.	1586840-4
PRE-TIN	PHOS. BRZ.	1586840-3
3 4	BRASS	1586840-2
PRE-TIN	BRASS	1586840-1
FINISH	MATERIAL	PART NO.

**METRIC**

THIS DRAWING IS A CONTROLLED DOCUMENT.		DWN K. WHITAKER 04APR2007	Tyco Electronics Corporation Harrisburg, PA 17105-3608	
DIMENSIONS: mm [INCHES]		CHK C. CASH 04APR2007	NAME TERMINAL, PIN (LOOSE PIECE) VAL-U-LOK(TM)	
TOLERANCES UNLESS OTHERWISE SPECIFIED: 0 PLC ± 1 PLC ± 2 PLC ± 0.13 [.005] 3 PLC ± 4 PLC ±		APVD C. CASH 04APR2007	SIZE A2	
MATERIAL		FINISH	CAGE CODE 00779	DRAWING NO C=1586840
CUSTOMER DRAWING		WEIGHT	RESTRICTED TO	SCALE 10:1
		APPLICATION SPEC	SHEET 1 of 1	
		ANGLES ± 0°30'	REV B1	

# Mouser Electronics

Authorized Distributor

Click to View Pricing, Inventory, Delivery & Lifecycle Information:

[TE Connectivity:](#)

[1586840-1](#)