

4

3

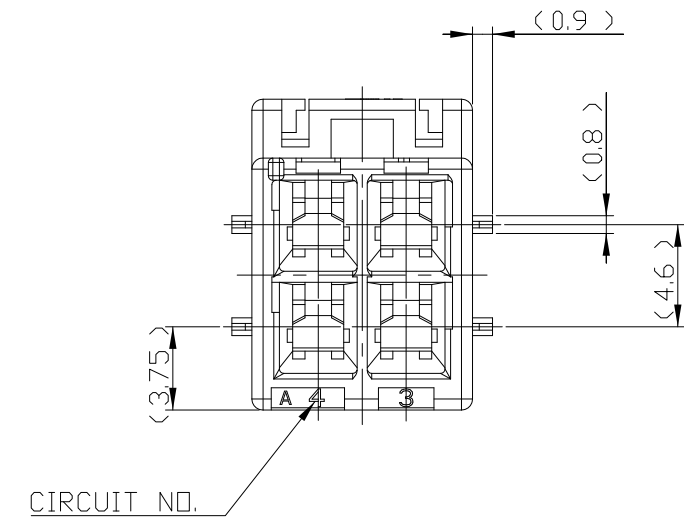
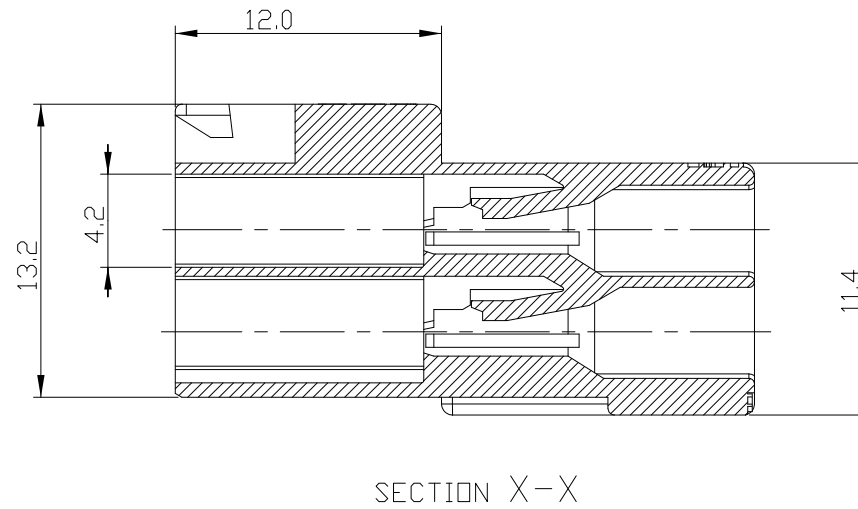
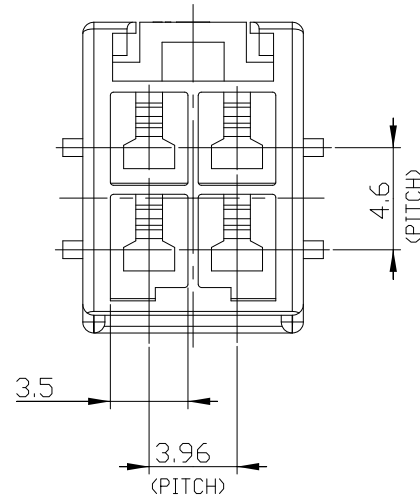
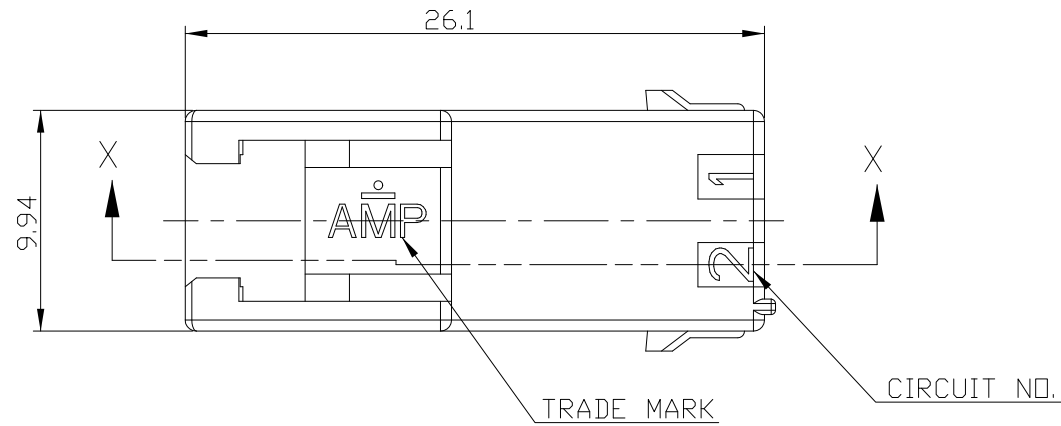
2

1

THIS DRAWING IS UNPUBLISHED. RELEASED FOR PUBLICATION 20  
 © COPYRIGHT 20 BY TYCO ELECTRONICS CORPORATION. ALL RIGHTS RESERVED.

LOC	DIST	REVISIONS					
DS	-	P	LTR	DESCRIPTION	DATE	DWN	APVD
		A		RELEASED	02.MAR'09	SC	JK

NOTE;  
 1.APPLICABLE CONTACT P/N  
 -TAB CONTACT:177917-□(AWG#16-#20)  
 177916-□(AWG#22-#26)  
 2.MATING CONN.P/N  
 -PLUG HSG: □-368575-□  
 -REC CONTACT:177915-□(AWG#16-#20)  
 177914-□(AWG#22-#26)  
 3.APPLICABLE DOUBLE LOCK PLATE: □-368590-1  
 4.GENERAL TOLERANCES:±0.3  
 5.ACCORDING TO IEC 60335-1 4.2 EDITION  
 -PART MEETS GWT 750° & 850°C.  
 -MATERIAL MEETS BALL PRESSURE TESTING AT 125°C.  
 -MATERIAL HAS CTI VALUE OF 250V.  
 6.MIN.THICKNESS OF INSULATING MATERIAL  
 BETWEEN ADJACENT POLES: 0.35mm



1-368587-6	PA66 UL94V-0	BLUE
1-368587-4		YELLOW
1-368587-2		RED
1-368587-1		NATURAL
368587-6	PA66 UL94V-2	BLUE
368587-4		YELLOW
368587-2		RED
368587-1		NATURAL
P/N	MATERIAL	COLOR

THIS DRAWING IS A CONTROLLED DOCUMENT FOR TYCO ELECTRONICS CORPORATION  
 IT IS SUBJECT TO CHANGE AND THE CONTROLLING ENGINEERING ORGANIZATION  
 SHOULD BE CONTACTED FOR THE LATEST REVISION.

DIMENSIONS:	TOLERANCES UNLESS OTHERWISE SPECIFIED:
mm	0 PLC ±
	1 PLC ±
	2 PLC ±
	3 PLC ±
	4 PLC ±
	ANGLES ±
MATERIAL	FINISH
-	-

DWN	SC KIM
CHK	BW KANG
APVD	JK SONG
PRODUCT SPEC	108-61106
APPLICATION SPEC	-
WEIGHT	-
CUSTOMER DRAWING	

		AMP KOREA	
		Kyungsan, Korea	
NAME			
PDL 4P CAP HSG 3.96mm D/R F/H (GWT)			
SIZE	CAGE CODE	DRAWING NO	RESTRICTED TO
A3	00779	368587	-
SCALE N/A		SHEET 1 OF 1	REV A

# Mouser Electronics

Authorized Distributor

Click to View Pricing, Inventory, Delivery & Lifecycle Information:

[TE Connectivity:](#)

[368587-1](#)