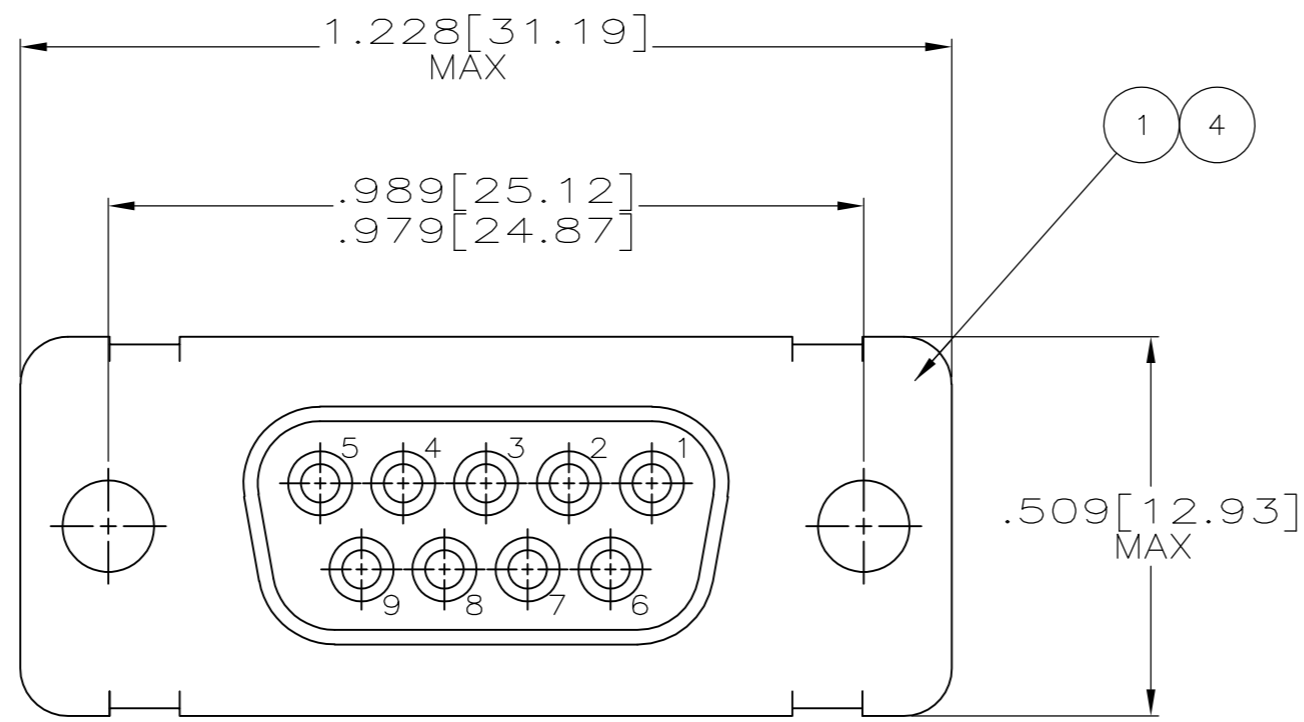
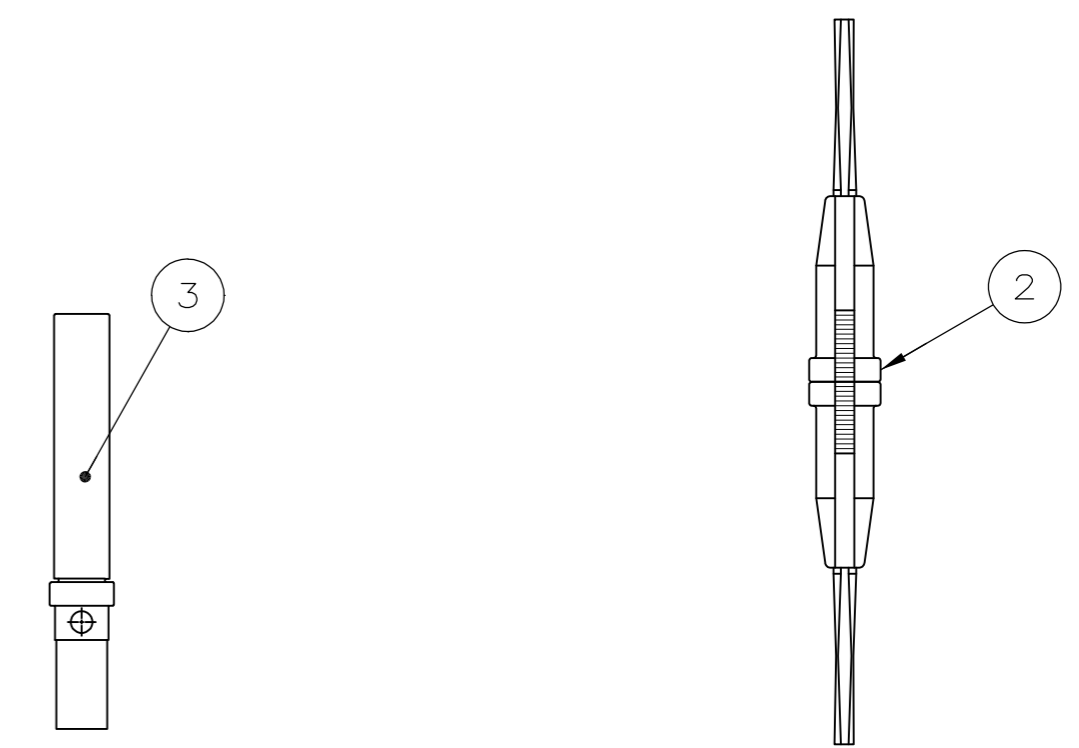
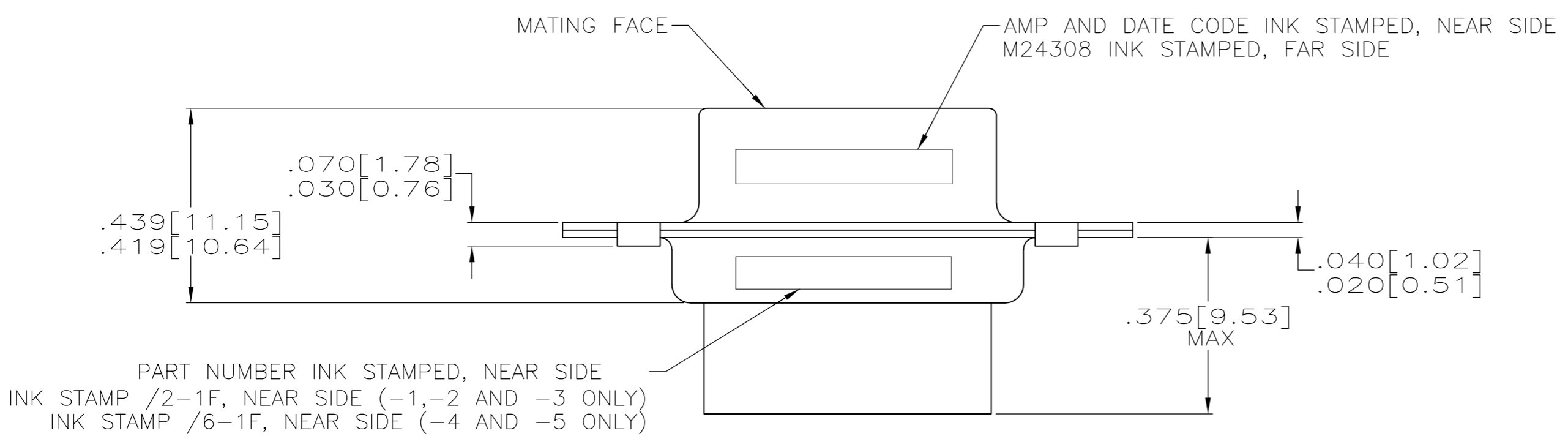


THIS DRAWING IS UNPUBLISHED. RELEASED FOR PUBLICATION
 © COPYRIGHT - By - ALL RIGHTS RESERVED.

Loc		DIST		REVISIONS			
P	LTR	DESCRIPTION	DATE	DWN	APVD		
	J2	REVISED PER ECO-15-005911	20MAY15	KG	DM		



- ⚠ SUPERSEDED BY 205161-1 AND 91067-2.
- ⚠ SUPERSEDED BY 207253-2 AND (9) 206793-1.
- ⚠ OBSOLETE.
- ⚠ FOR CONNECTOR ASSEMBLIES WITHOUT CONTACTS, TE PART NO 205090-1 MUST BE ORDERED SEPARATELY. CONNECTORS WITH CONTACTS ARE SUPPLIED WITH CONTACTS 205090-1



⚠ 3	91067-2	205090-1	M24308/6-6F	M24308/6-1F	205555-4	205555-5
⚠ 2	-	205090-1	M24308/6-1F	M24308/6-1F	205555-4	205555-4
	91067-2	205090-1	M24308/2-6F	M24308/2-1F	205555-2	205555-3
	-	205090-1	M24308/2-1F	M24308/2-1F	205555-2	205555-2
⚠ 1	91067-2	-	-	M24308/2-1F	205555-2	205555-1
REMARKS	INSERTION/EXTRACTION TOOL	⚠ CONTACT (QTY=9)	MILITARY P/N ON PACKAGE	MILITARY P/N ON CONNECTOR	PART NUMBER ON CONNECTOR	PART NO

THIS DRAWING IS A CONTROLLED DOCUMENT.

DWN	T. THOMPSON	11-03-94
CHK	D. MANTIONE	01-16-95
APVD	D. MANTIONE	01-16-95

TE TE Connectivity

NAME: KIT, HDM-20 SERIES, REC'T, SIZE 1, 9 POSITION

SIZE	CAGE CODE	DRAWING NO	RESTRICTED TO
A2	00779	C=205555	-

SCALE: 4:1 SHEET: 1 of 1 REV: J2

Mouser Electronics

Authorized Distributor

Click to View Pricing, Inventory, Delivery & Lifecycle Information:

[TE Connectivity:](#)

[205555-3](#)