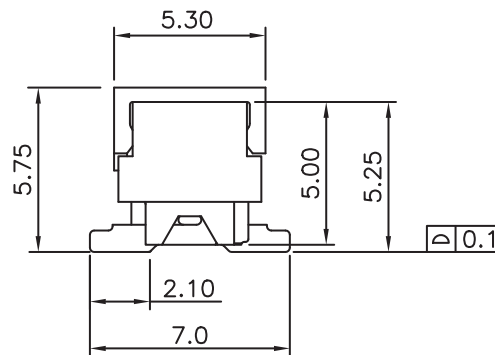
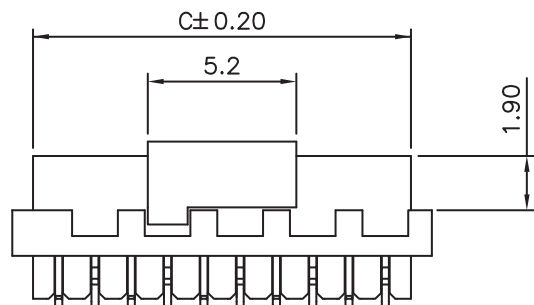


PCB LAYOUT - COMPONENT VIEW



MATERIAL:
 HOUSING MATERIAL: PA6T
 FLAMABILITY RATING: UL94-V0
 COLOR: RED
 CONTACT MATERIAL: PHOSPHOR BRONZE
 CONTACT TYPE: STAMPED
 CONTACT PLATING: MATT TIN OVER NICKEL
 QUALITY CLASS: 25 MATING CYCLES
 PITCH: 2.54 MM PER ROW

ENVIRONMENTAL:
 OPERATING TEMPERATURE: -40°C UP TO 105°C
 COMPLIANCE: LEAD FREE AND ROHS

ELECTRICAL:
 CURRENT RATING: 1.5A PER PIN (PCB PIN)
 WORKING VOLTAGE: 100VAC
 INSULATION RESISTANCE: >1000MOHM
 DIELECTRIC WITHSTANDING VOLT.: 500VAC/MN
 CONTACT RESISTANCE: 10mOHM MAX

STANDARD
 RoHS CERTIFIED: E323964 / MOD. NUMBER 69036728xx7x

SOLDERING:
 REFLOW PROCESS ONLY

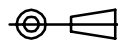
DIMENSION:
 DIM.A= 1.27 x (Nb PIN -1)
 DIM.B= DIM.A + 3.27
 DIM.C= DIM.A + 1.80

AVAILABLE
 xx : 4 TO 26 CIRCUITS

PACKAGING:
 TAPE & REEL

RoHS Compliant

PROJECTION:



GENERAL TOLERANCE

.X = +/- 0.2
 .XX = +/- 0.15



APPROVAL: RJ

UNIT: MM

DESCRIPTION: MM FEMALE SMT CONNECTOR WITH POLARIZATION

SIZE

TPK DWG UPDATE

SCALE:

WERI PART NO: 690 367 28 xx 76

A4

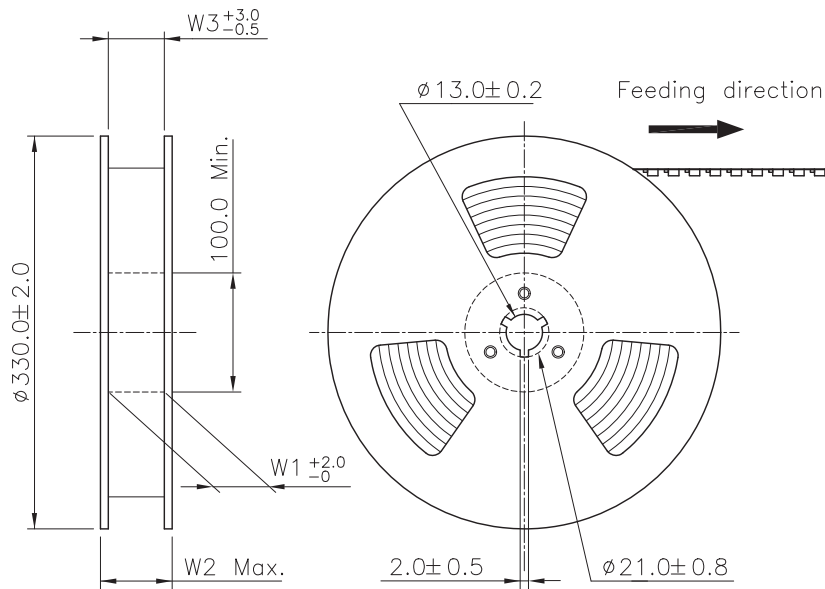
NB PCS/REEL

SHEET: 1/2

FILE

DRAW: EAGER

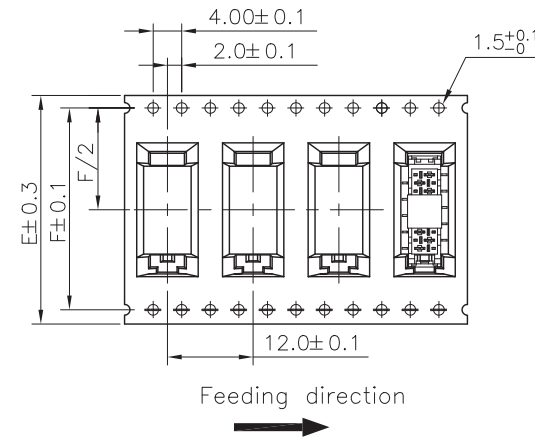
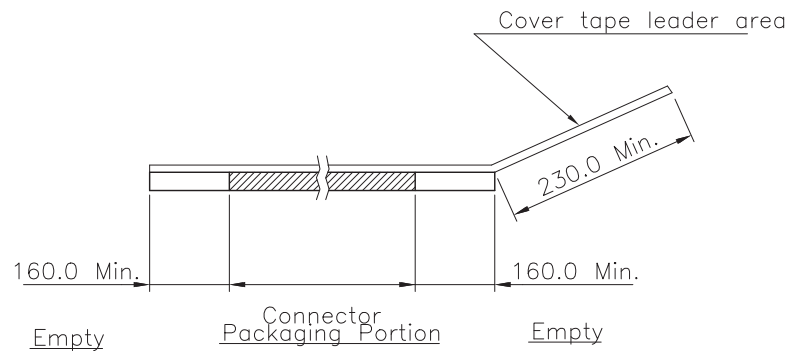
REV	DATE	FILE	BY
H	23-MAY-13	NB PCS/REEL	QL
I	13-NOV-13	TPK DWG UPDATE	QL
J	30-MAY-14	DWG UPDATE	QL



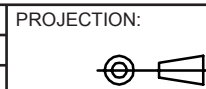
NOTE :

- * Reel Material : HIPS
- * Carrier Material : Transparent Anti-static Polystyrene.
- * Cover Tape Material : Polyester
- * Cover Tape Peel Strength : 0.1N - 1.3N
- * Carrier camber is within 1mm in 250mm
- * All dimensions meet EIA-481-2 requirements.
- * Quantity : 800 PCS/Reel ; except 10pins 800PCS/Reel

Circuits	Dimension					Packing (Reel/Caton)
	E	F	W1	W2	W3	
4-8	24.0(.945)	-	24.5(.965)	30.5(1.200)	24.5(.965)	9
10-12	32.0(1.260)	28.40(1.118)	32.5(1.280)	38.5(1.516)	32.5(1.280)	7
14-22	44.0(1.732)	40.40(1.596)	44.5(1.752)	50.5(1.988)	44.5(1.752)	5
24-26	56.0(2.205)	52.40(2.063)	56.5(2.224)	62.5(2.460)	56.5(2.224)	4



RoHS Compliant			
G			
F			
E			
D			
C			
B			
A			
REV	DATE	FILE	BY



GENERAL TOLERANCE
 .X = +/- 0.2
 .XX = +/- 0.15



APPROVAL: RJ

UNIT: MM
 SCALE:
 SHEET: 2/2
 DRAW: EAGER

DESCRIPTION: MM FEMALE SMT CONNECTOR WITH POLARIZATION
 WERI PART NO: 690 367 28 xx 76

SIZE
A4

Mouser Electronics

Authorized Distributor

Click to View Pricing, Inventory, Delivery & Lifecycle Information:

[Würth Electronics:](#)

[690367180472](#) [690367181272](#) [690367281076](#) [690367180672](#) [690367282076](#) [690367281276](#) [690367181072](#)
[690367280676](#) [690367280476](#) [690367182072](#) [690367280876](#) [690367180872](#)