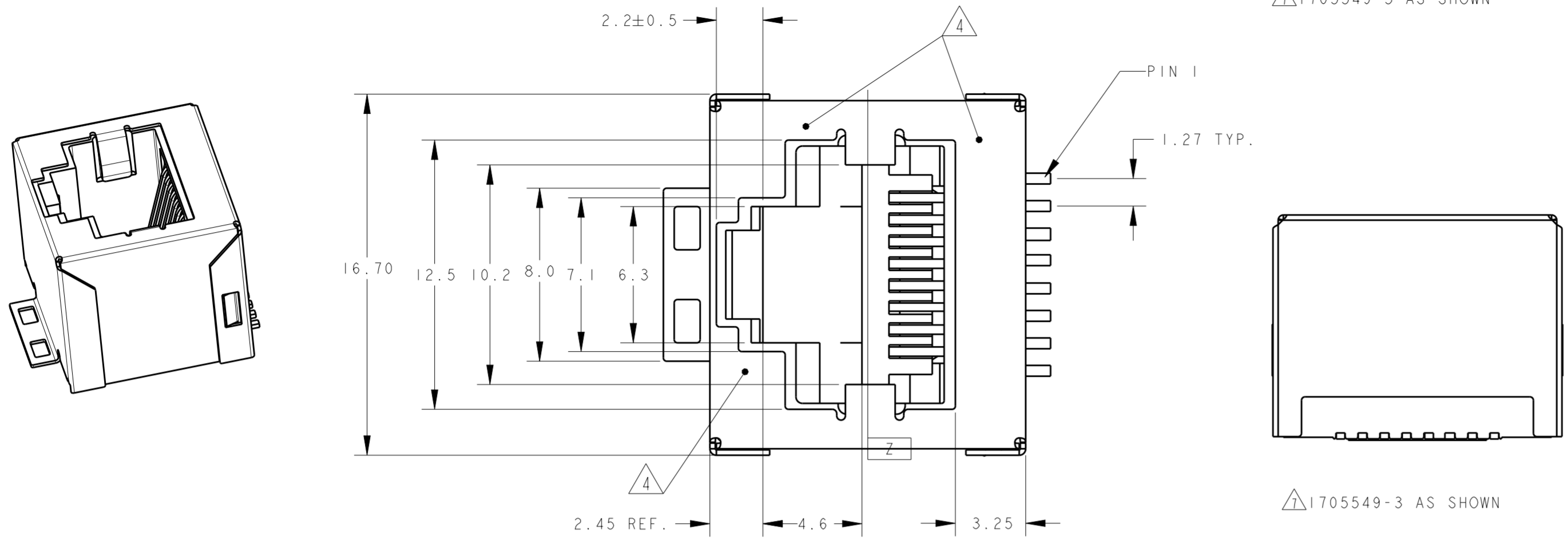
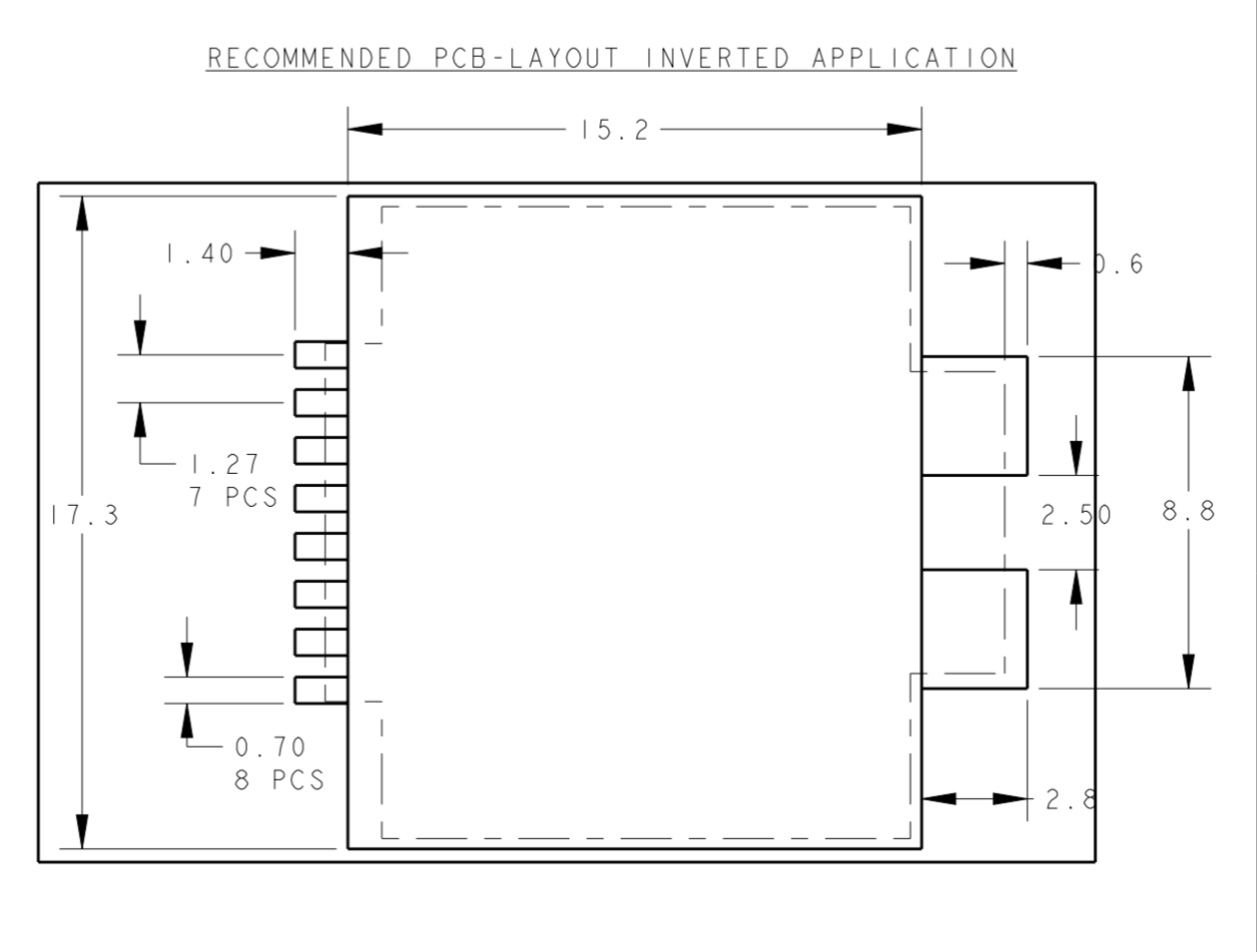
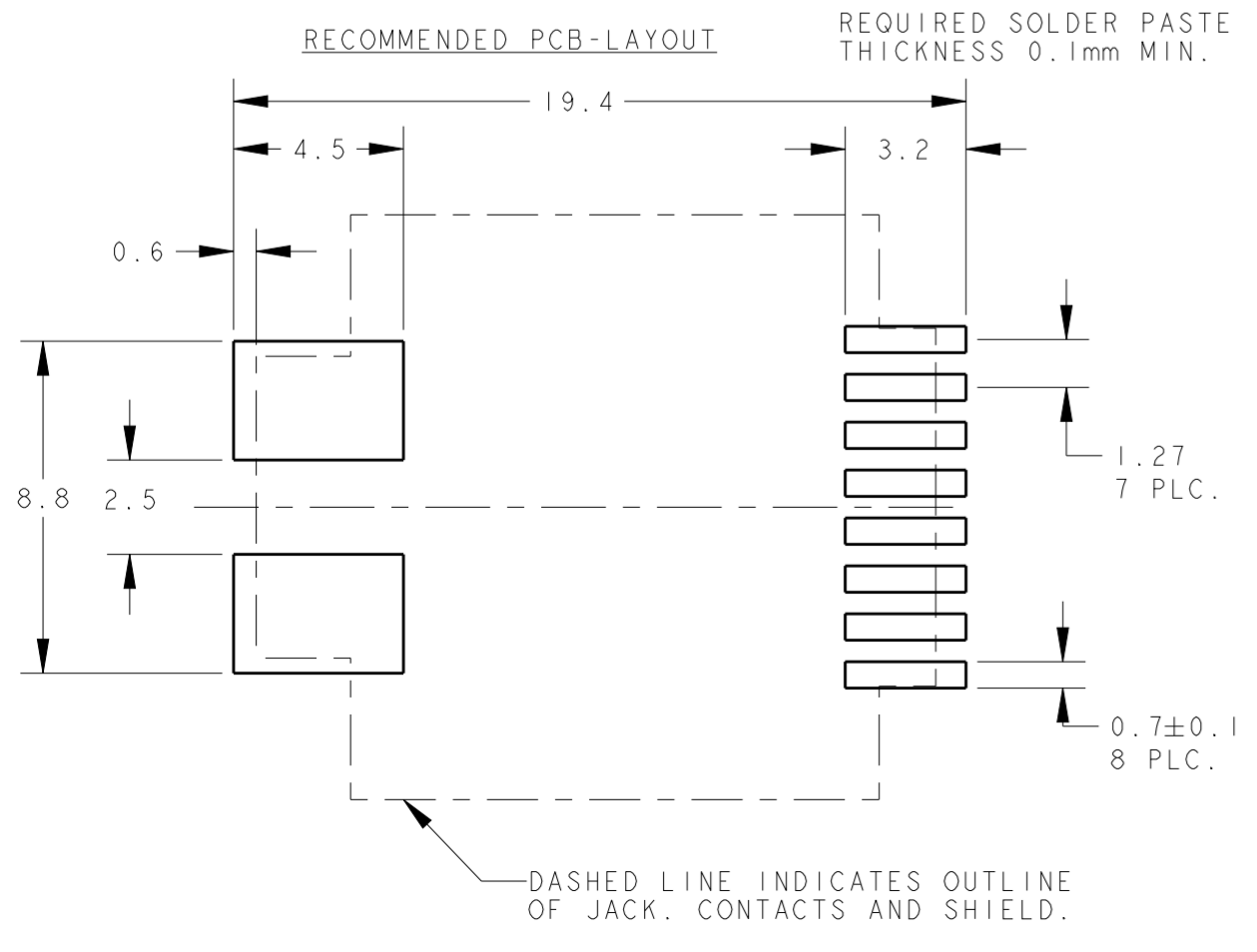
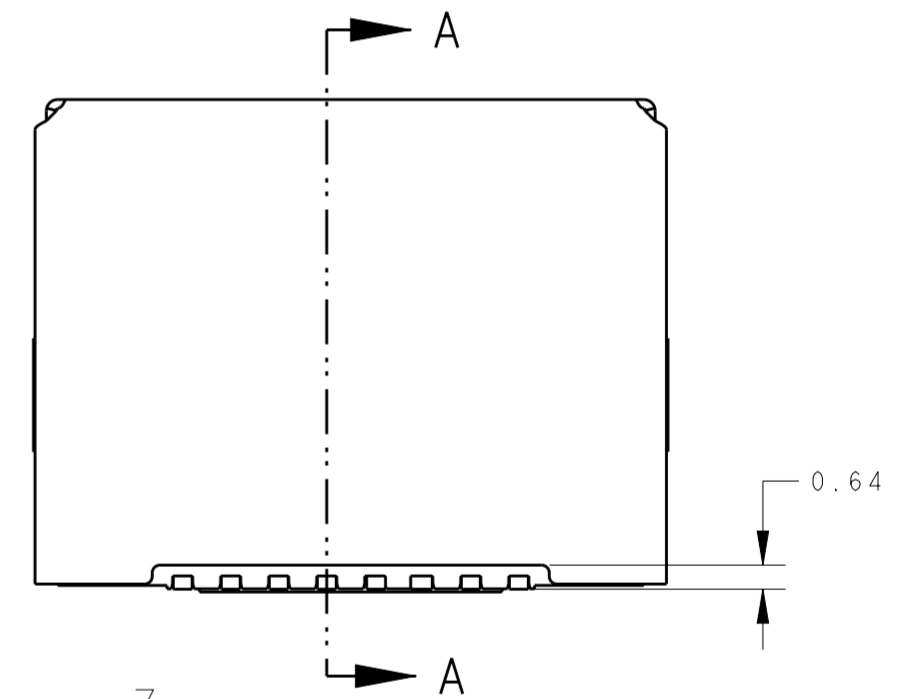
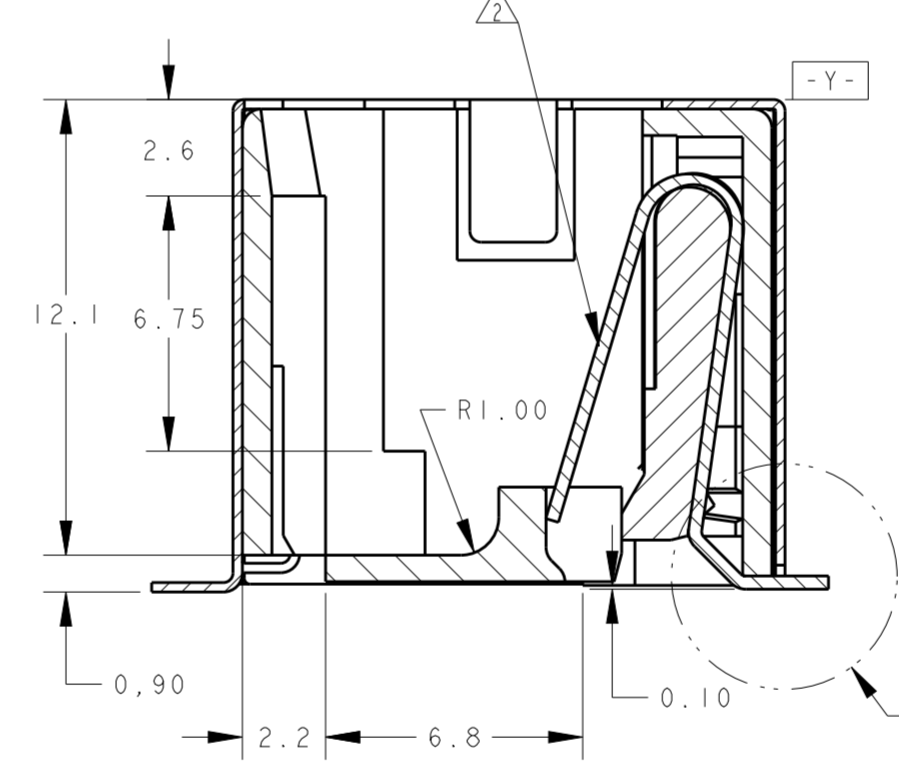
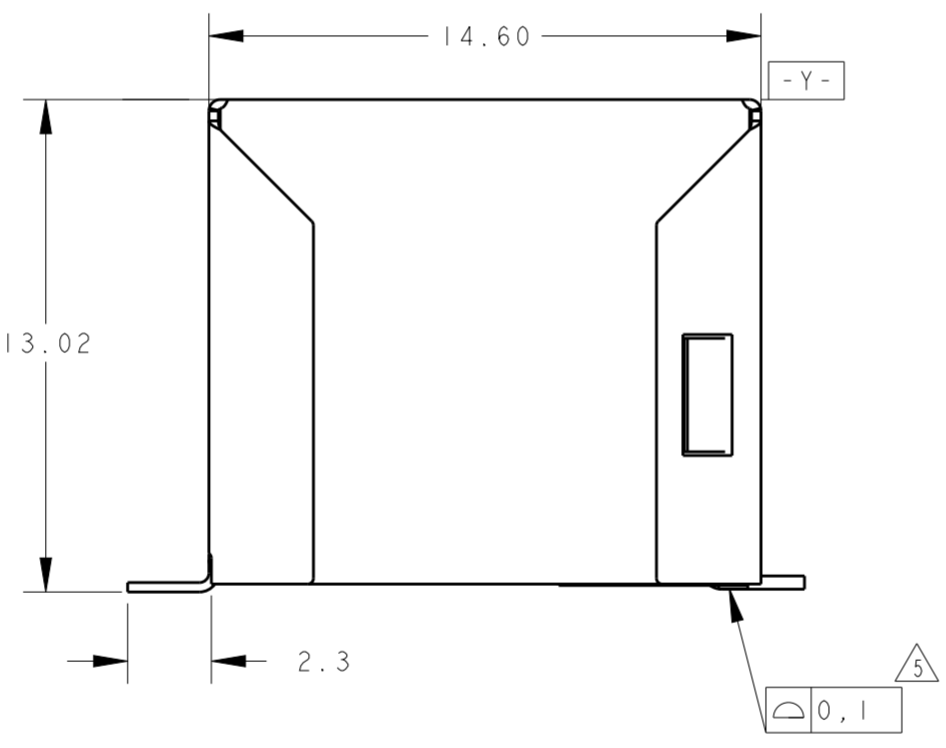
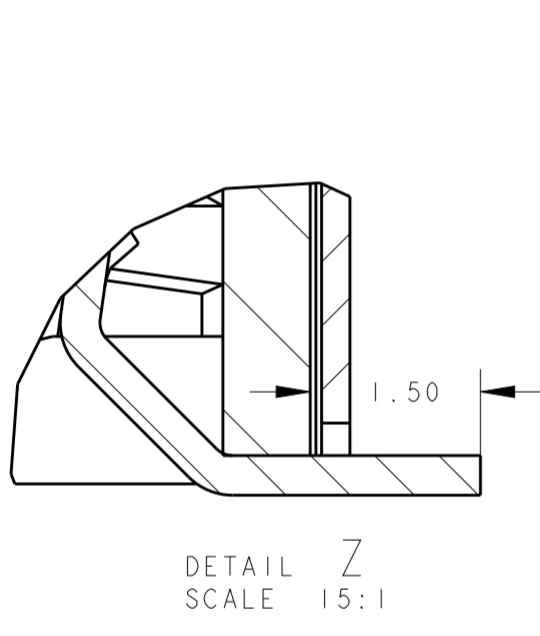


THIS DRAWING IS UNPUBLISHED. RELEASED FOR PUBLICATION 2011
 © COPYRIGHT 2011 TE CONNECTIVITY ALL RIGHTS RESERVED.

LOC		DIST		REVISIONS			
P	LTR	DESCRIPTION	DATE	DWN	APVD		
H		ECR-11-021290	-	PS	RRP		
J		ECO-16-001320	13JUN2016	AD	SH		
L		ECO-18-000280	08JAN2018	AD	SH		



- NOTES:
- 1 TOLERANCES UNLESS OTHERWISE SPECIFIED: ±0,15
 - 2 CONTACT PLATING:
 OVERALL: Ni 1.27µm MIN. ALL OVER THE CONTACTS
 SOLDER ZONE: Sn 3.5-5.0µm ON THE SOLDER ZONE OF THE CONTACT
 MATING ZONE: PLATING CONFIRMS TO PRODUCT REQUIREMENTS AS PER SPECIFICATION 108-19117
 - 3 MATERIAL:
 HOUSING: 30% G.F. PA 4T COLOR YELLOW, UL 94V-0
 CONTACTS: PHOSPHOR BRONZE
 SHIELD: TINPLATED BRASS
 - 4 SURFACE CAN BE USED FOR PICKING THE MODULAR JACK WITH TYPE II SMD MACHINE.
 - 5 MEASURED AT HEEL OF CONTACTS.
 COPLANARITY AT TIPS MAX. 0,18 mm.
 - 6 TAPE AND REEL PACKING AS PER EIA 481-3
 - 7 MATERIAL:
 HOUSING: 30% G.F. LCP COLOR BLACK, UL 94V-0
 CONTACTS: PHOSPHOR BRONZE
 SHIELD: TINPLATED BRASS



OBSELETE

1705549-1 AS SHOWN.

MATERIAL	COLOUR	PART NUMBER	SL NO.
7	BLACK	1705549-3	3
3	YELLOW	1705549-2	2
7	BLACK	1705549-1	1

THIS DRAWING IS A CONTROLLED DOCUMENT.

DWN: P. WILLEMS, 17 JUN 04
 CHK: P. GROELS, 17 JUN 04
 APVD: P. JAEGER

TE Connectivity

STE

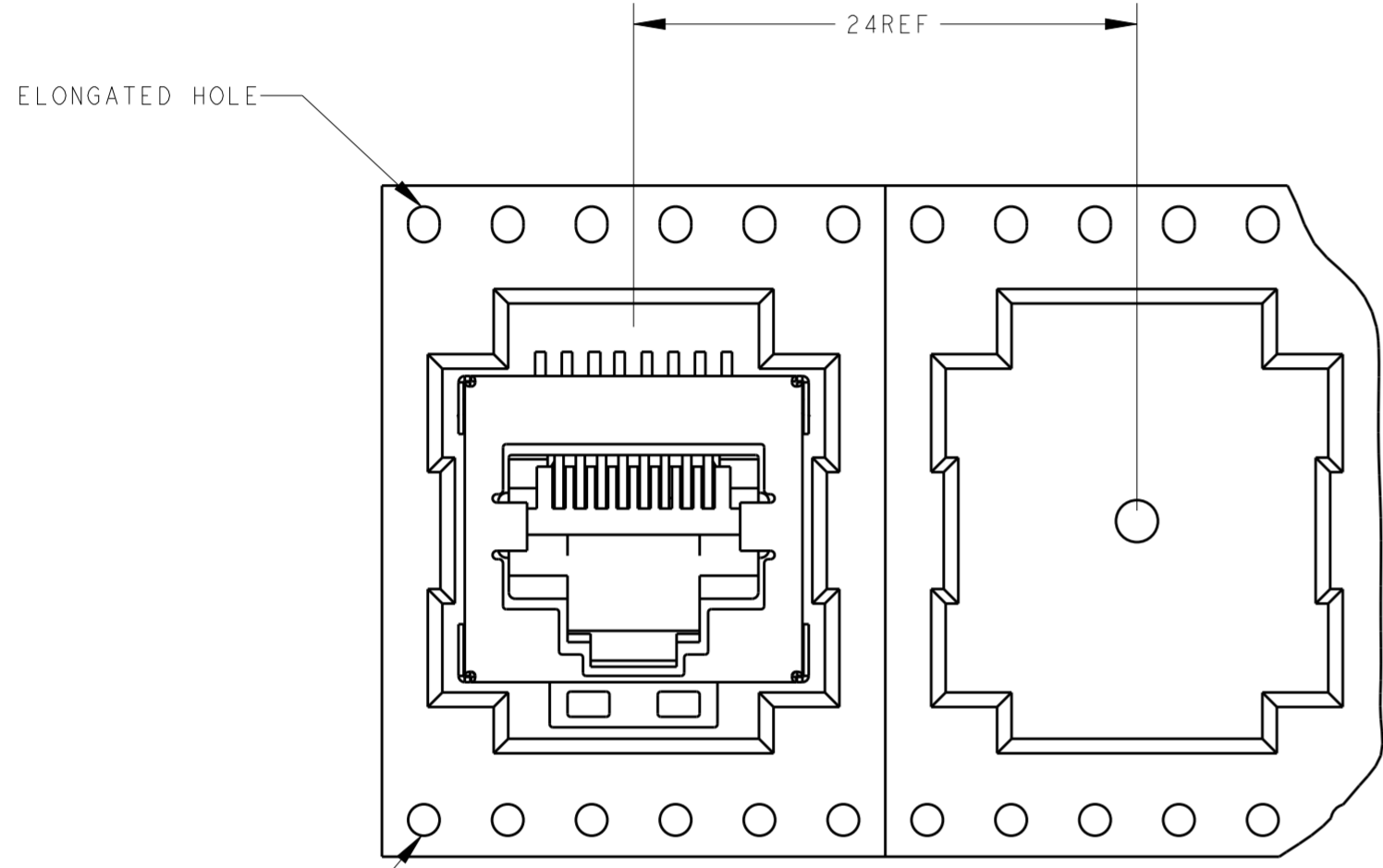
MODULAR JACK SMT, 8 POSITION,

SIZE: A2 CAGE CODE: 0779 DRAWING NO: 1705549 RESTRICTED TO: L

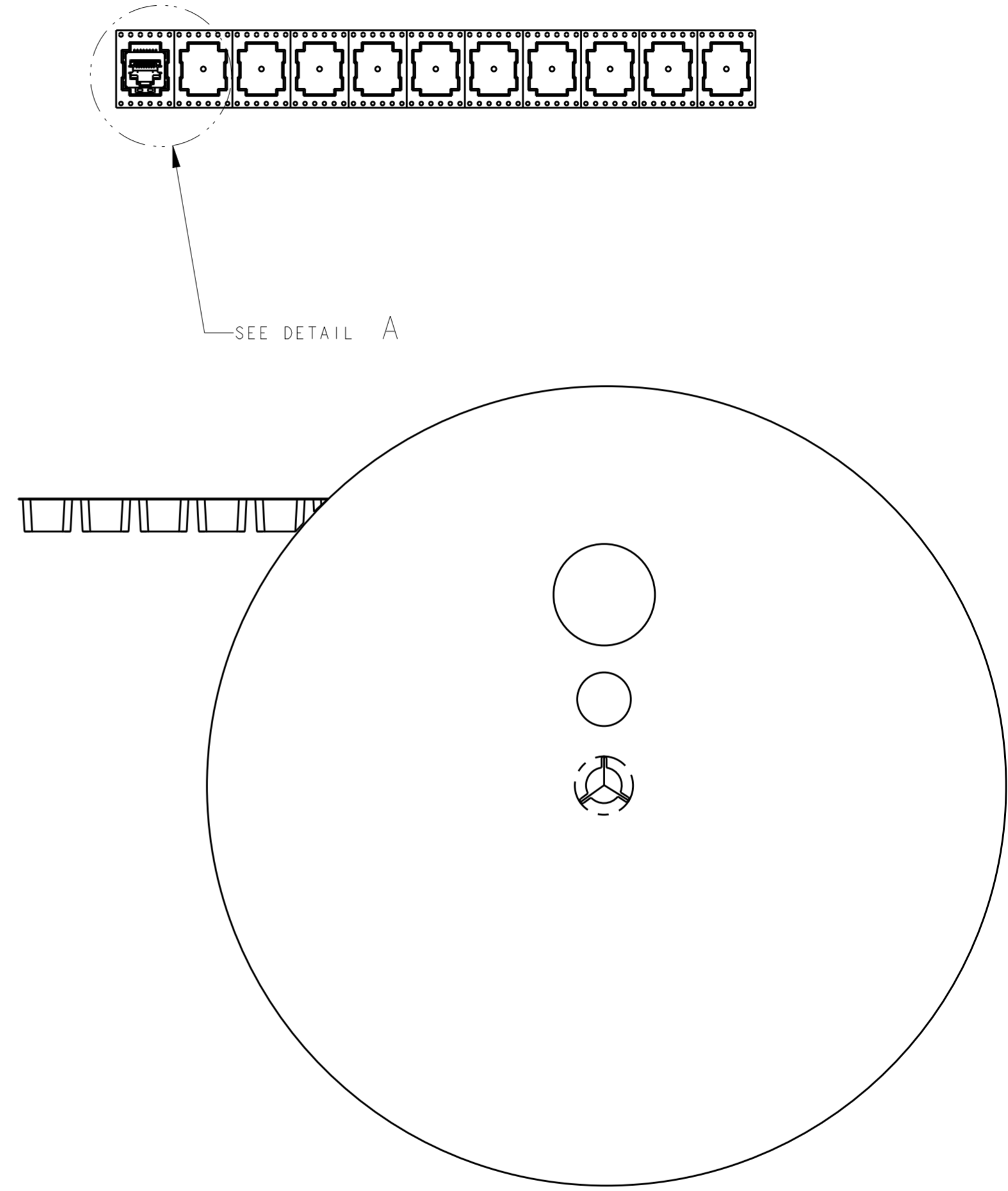
SCALE: 5:1 SHEET: 1 OF 2 REV: L

THIS DRAWING IS UNPUBLISHED. RELEASED FOR PUBLICATION 2011
 © COPYRIGHT 2011 TE CONNECTIVITY ALL RIGHTS RESERVED.

LOC	DIST	REVISIONS			
P	LTR	DESCRIPTION	DATE	DWN	APVD
IR	-	-	-	-	-
		SEE SHEET 1			



DETAIL A
SCALE 3:1



SCALE 1:2

THIS DRAWING IS A CONTROLLED DOCUMENT.		DWN P. WILLEMS 17 JUN 04	STE TE Connectivity	
		CHK P. GROELS 17 JUN 04		
DIMENSIONS: mm		APVD P. JAEGER	NAME MODULAR JACK SMT , 8 POSITION,	
TOLERANCES UNLESS OTHERWISE SPECIFIED: 0 PLC ± 1 PLC ±0.15 2 PLC ±0.05 3 PLC ±0.005 4 PLC ± ANGLES ± FINISH		PRODUCT SPEC -	RESTRICTED TO	
MATERIAL -		APPLICATION SPEC -	SIZE A20779	DRAWING NO C-1705549
		WEIGHT -	SCALE 5:1	SHEET 2 OF 2
		CUSTOMER DRAWING	REV L	