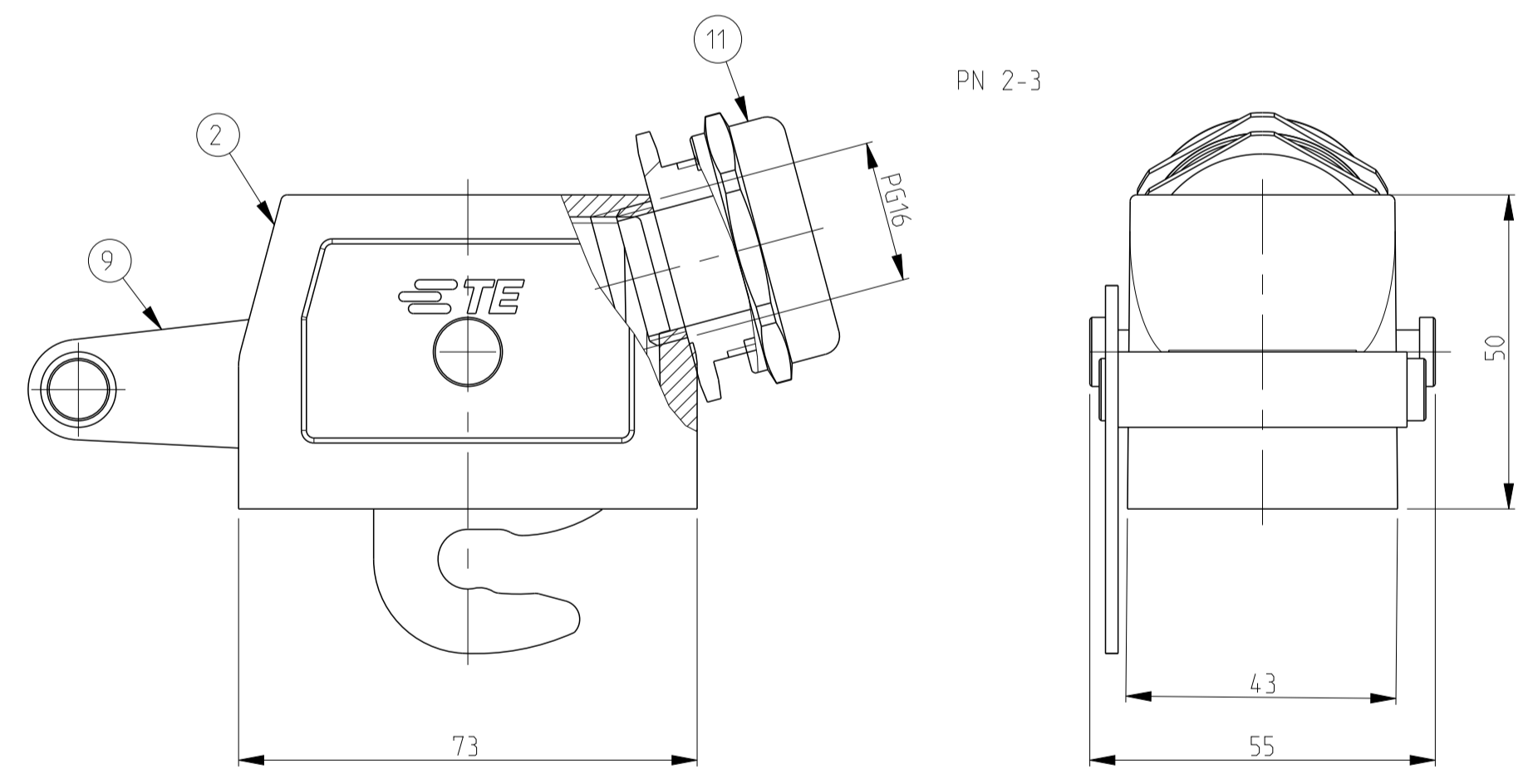
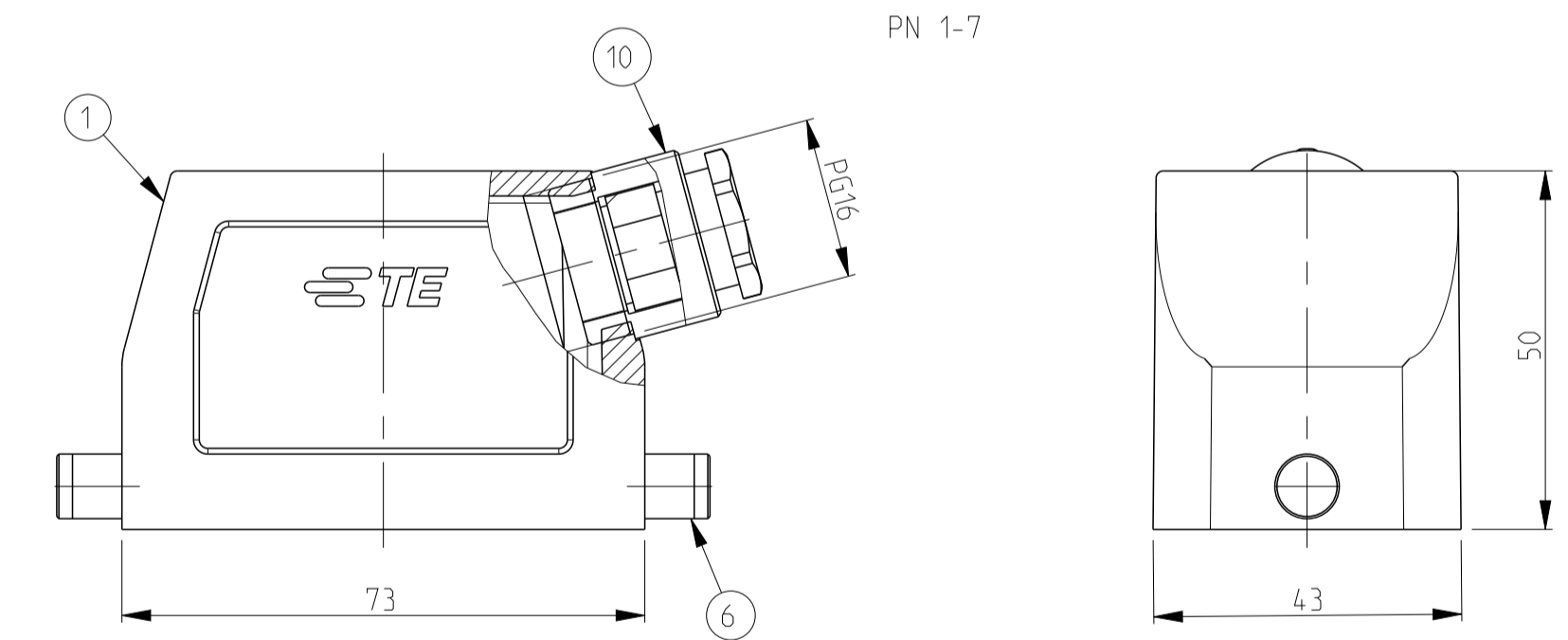
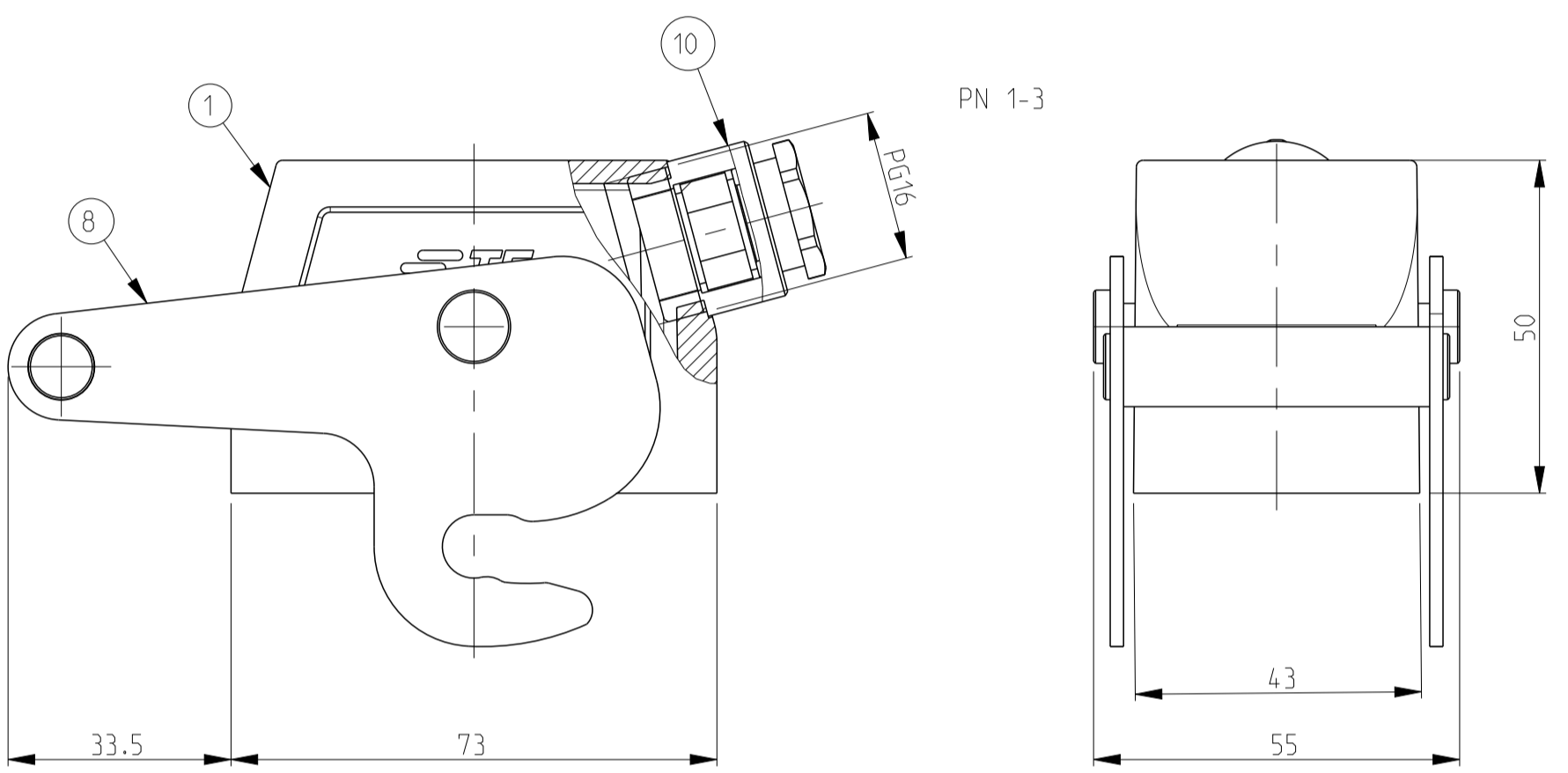
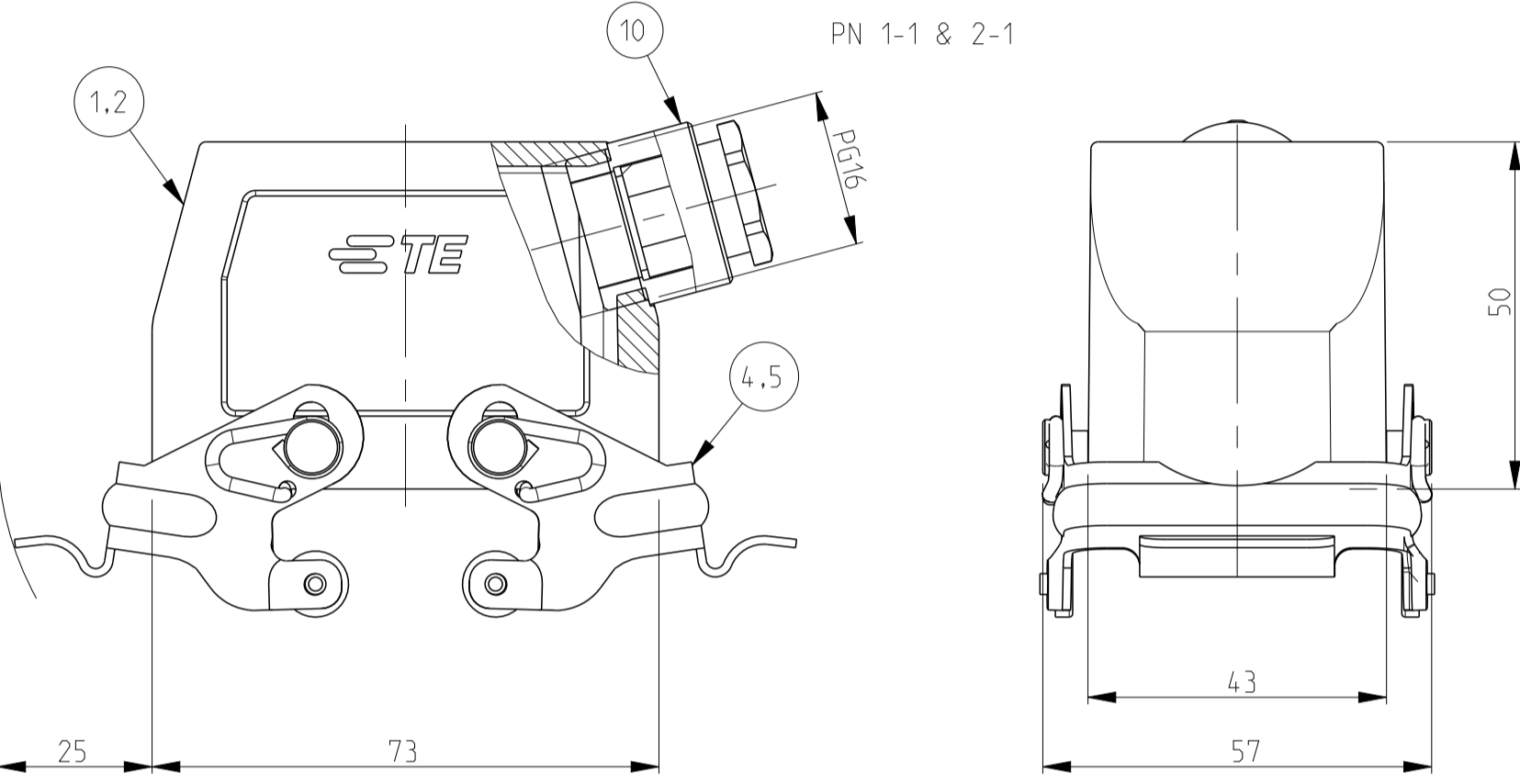
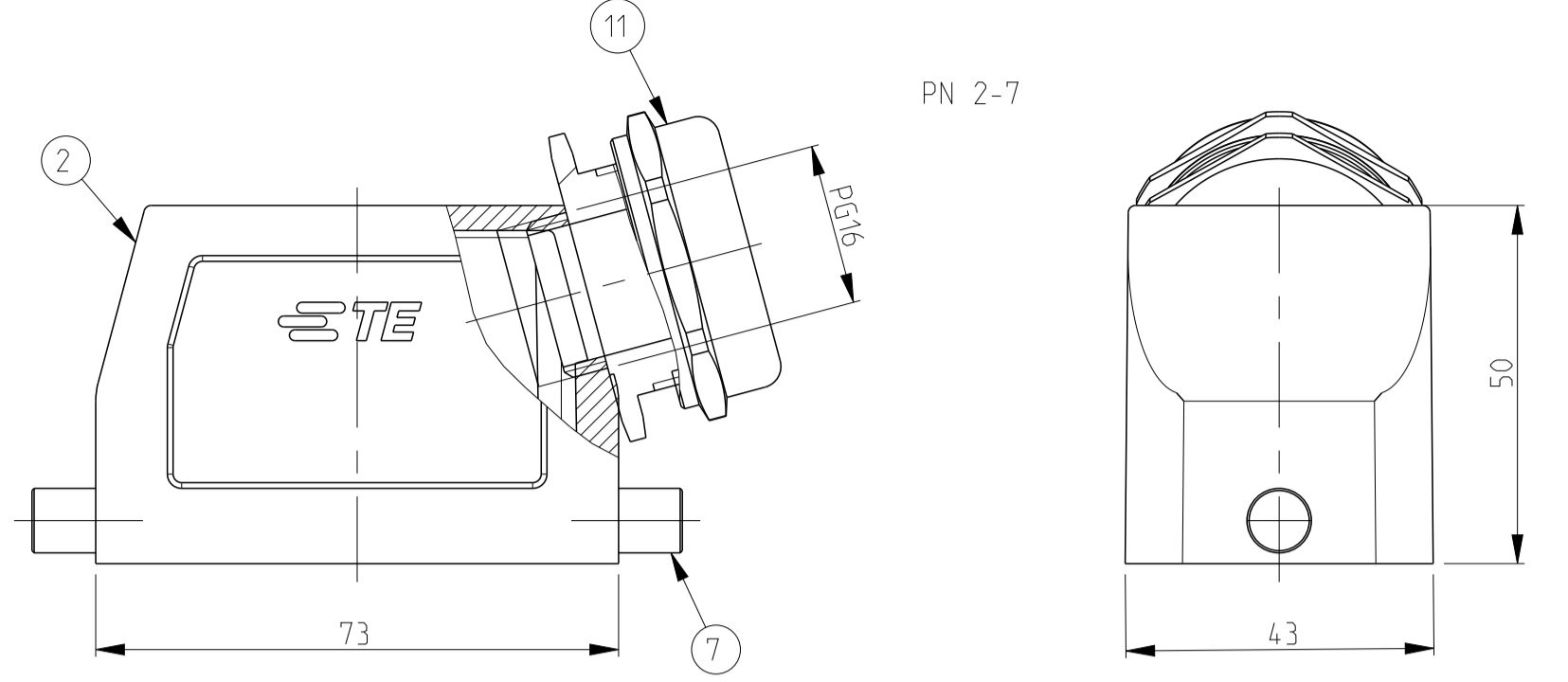
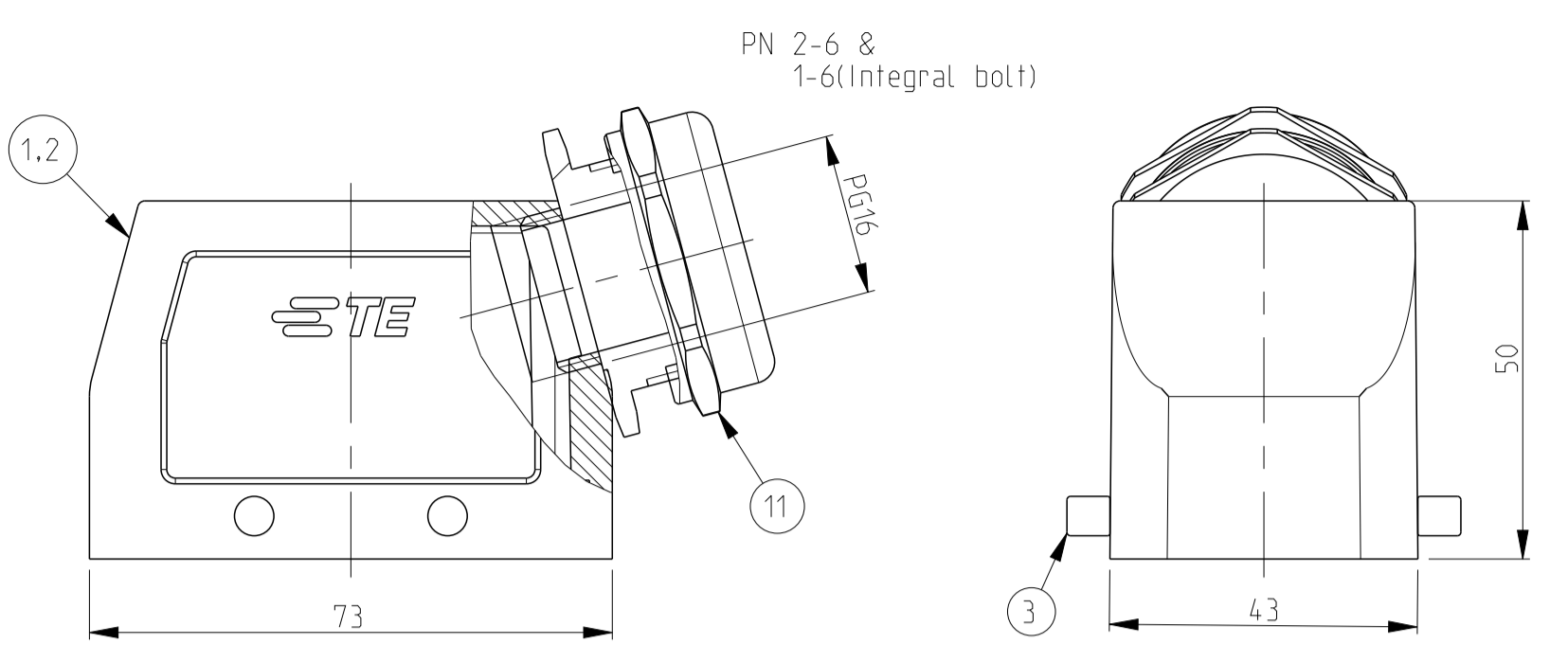
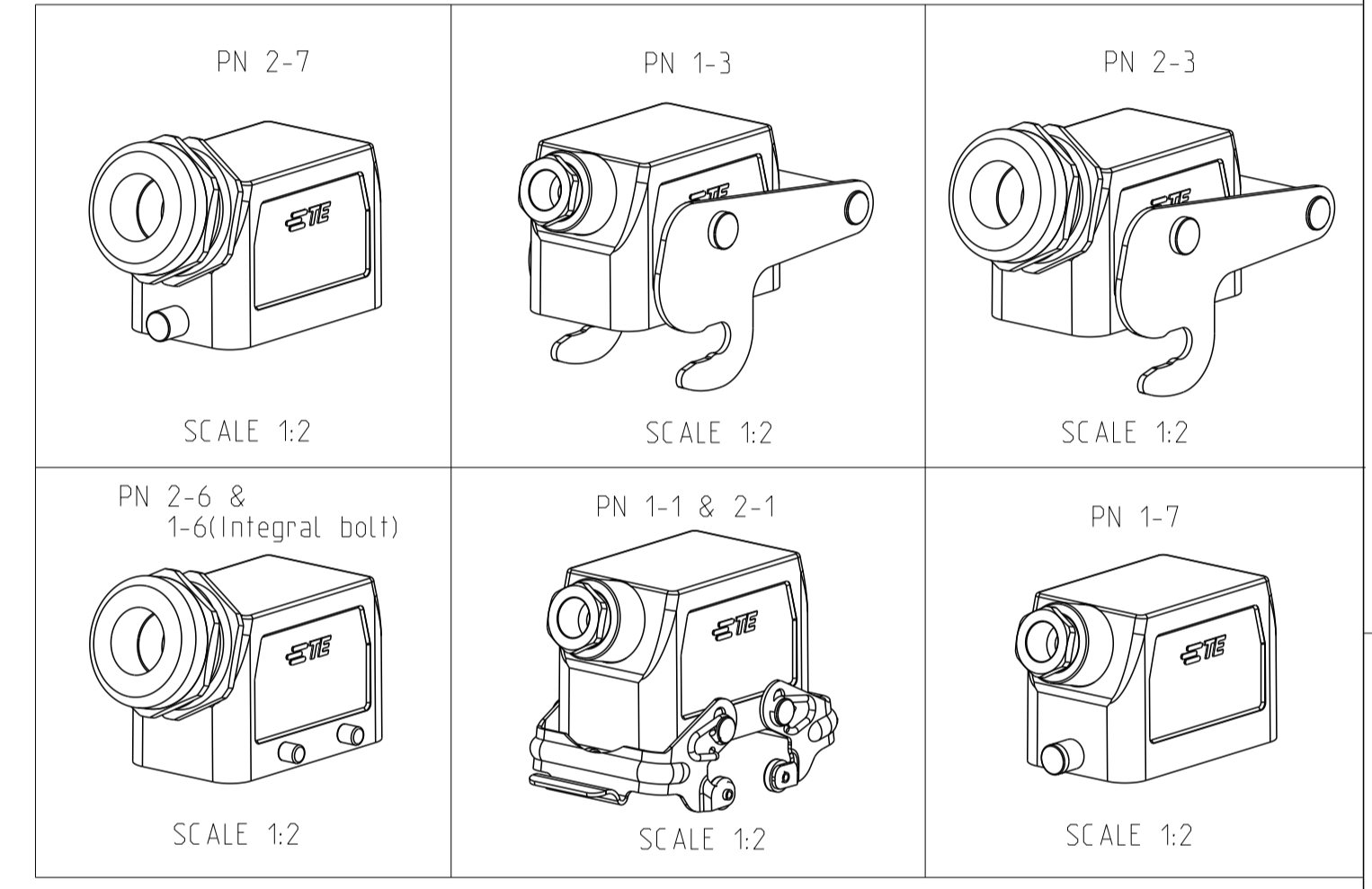


REVISIONS				
P	LTN	DESCRIPTION	DATE	APVD
A3		REVISED PER ECR-16-016768	17AUG2017	AP MKO



- NOTES.
- Material:Housing:Aluminium Diecasting Alloy
  - Surface-Powder Varnish Grey  
-Aluminium Oxide +  
Varnish Black
  - Varnish on the inside not necessary
  - Packaging  
Quantity 5 Pieces in a box



QTY	DESCRIPTION	MATERIAL	SURFACE	COLOR	ITEM NO	REMARKS
1	Gland fitting	Brass	Nickel plated	Blue	11	PG16
1	Cable connection round	Brass	Nickel plated	Blue	10	PG16
1	ZB Central clip	Stainless steel	Blank	-	9	
1	ZB Central clip	Steel	Zinc plated	Blue	8	
2	LB-Clip bolt	Stainless steel	Blank	-	7	
2	LB-Clip bolt	Steel	Zinc plated	Blue	6	
2	VS-Side clip	Stainless steel	Blank	-	5	
2	VS-Side clip	Steel	Zinc plated	Blue	4	
4	VS-Clip bolt	Stainless steel	Blank	-	3	
1	HB-K Hood	Aluminium	Aluminium oxide	Black	2	
1	HB Hood	Aluminium	-	Grey	1	
2-3	DESCRIPTION	MATERIAL	SURFACE	COLOR	ITEM NO	REMARKS
	DESCRIPTION					
	HB.10.STS.1.16					
	HB-K.10.STS.1.16					
	HB.10.STS-VS.1.16					
	HB-K.10.STS-VS.1.16					
	HB10.STS-GR.1.16					
	HB-K.10.STS-GR.1.16					
	HB-Z.10.STS-ZB.1.16					
	HB-K/Z.10.STS-ZB.1.16					

THIS DRAWING IS A CONTROLLED DOCUMENT. DWN Schneider 05.12.02  
 CHK Schwiiger 05.12.02

TE Connectivity

NAME: Hood  
 HB.10.STS.1.16

PRODUCT SPEC: -  
 APPLICATION SPEC: -  
 WEIGHT: -

SIZE: A1 CAGE CODE: 00779 DRAWING NO: 1102259  
 SCALE: 1:1 SHEET 1 OF 1 REV: A3

# Mouser Electronics

Authorized Distributor

Click to View Pricing, Inventory, Delivery & Lifecycle Information:

[TE Connectivity:](#)

[1-1102259-6](#)