

TPS6101x High-Efficiency, 1-Cell and 2-Cell Boost Converters

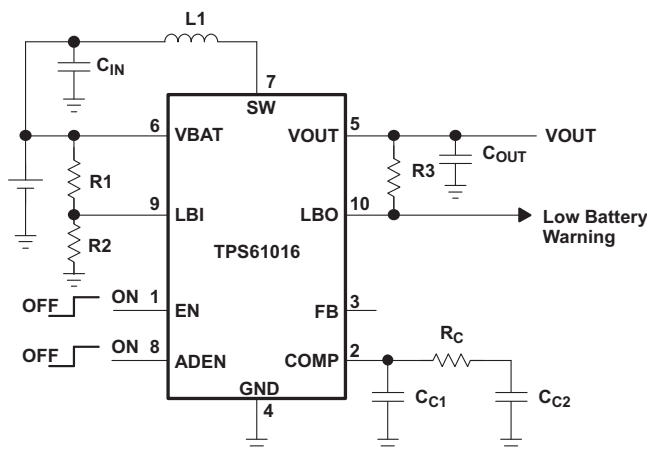
1 Features

- Integrated Synchronous Rectifier for Highest Power Conversion Efficiency (> 95%)
- Start-Up Into Full Load With Supply Voltages as Low as 0.9 V, Operating Down to 0.8 V
- 200-mA Output Current From 0.9-V Supply
- Powersave-Mode for Improved Efficiency at Low Output Currents
- Autodischarge Allows to Discharge Output Capacitor During Shutdown
- Device Quiescent Current Less Than 50 μ A
- Ease-of-Use Through Isolation of Load From Battery During Shutdown of Converter
- Integrated Antiringing Switch Across Inductor
- Integrated Low Battery Comparator
- Micro-Small 10-Pin MSOP or 3 mm x 3 mm QFN Package
- EVM Available (TPS6101xEVM-157)

2 Applications

- All Single- or Dual-Cell Battery Operated Products
 - Internet Audio Players
 - Pager
 - Portable Medical Diagnostic Equipment
 - Remote Control
 - Wireless Headsets

Simplified Application Circuit



3 Description

The TPS6101x devices are boost converters intended for systems that are typically operated from a single- or dual-cell nickel-cadmium (NiCd), nickel-metal hydride (NiMH), or alkaline battery.

The converter output voltage can be adjusted from 1.5 V to a maximum of 3.3 V, by an external resistor divider or, is fixed internally on the chip. The devices provide an output current of 200 mA with a supply voltage of only 0.9 V. The converter starts up into a full load with a supply voltage of only 0.9 V and stays in operation with supply voltages down to 0.8 V.

The converter is based on a fixed frequency, current mode, pulse-width-modulation (PWM) controller that goes automatically into power save mode at light load. It uses a built-in synchronous rectifier, so, no external Schottky diode is required and the system efficiency is improved. The current through the switch is limited to a maximum value of 1300 mA. The converter can be disabled to minimize battery drain. During shutdown, the load is completely isolated from the battery.

An autodischarge function allows discharging the output capacitor during shutdown mode. This is especially useful when a microcontroller or memory is supplied, where residual voltage across the output capacitor can cause malfunction of the applications. When programming the ADEN-pin, the autodischarge function can be disabled. A low-EMI mode is implemented to reduce interference and radiated electromagnetic energy when the converter enters the discontinuous conduction mode. The device is packaged in the micro-small space saving 10-pin MSOP package. The TPS61010 is also available in a 3 mm x 3 mm 10-pin QFN package.

Device Information⁽¹⁾

PART NUMBER	PACKAGE	BODY SIZE (NOM)
TPS61010	VSSOP (10)	3.00 mm x 3.00 mm
	VSON (10)	
TPS61011	VSSOP (10)	3.00 mm x 3.00 mm
TPS61012		
TPS61013		
TPS61014		
TPS61015		
TPS61016		

(1) For all available packages, see the orderable addendum at the end of the datasheet.



Table of Contents

1	Features	1	9.4	Device Functional Modes	15
2	Applications	1	10	Application and Implementation	16
3	Description	1	10.1	Application Information	16
4	Revision History	2	10.2	Typical Applications	16
5	Device Comparison Table	3	11	Power Supply Recommendations	25
6	Pin Configuration and Functions	3	12	Layout	25
7	Specifications	4	12.1	Layout Guidelines	25
7.1	Absolute Maximum Ratings	4	12.2	Layout Example	25
7.2	ESD Ratings	4	12.3	Thermal Considerations	27
7.3	Recommended Operating Conditions	4	13	Device and Documentation Support	28
7.4	Thermal Information	4	13.1	Device Support	28
7.5	Electrical Characteristics	5	13.2	Related Links	28
7.6	Typical Characteristics	7	13.3	Community Resources	28
8	Parameter Measurement Information	11	13.4	Trademarks	28
9	Detailed Description	12	13.5	Electrostatic Discharge Caution	28
9.1	Overview	12	13.6	Glossary	28
9.2	Functional Block Diagram	12	14	Mechanical, Packaging, and Orderable Information	28
9.3	Feature Description	13			

4 Revision History

Changes from Revision E (December 2014) to Revision F	Page
• Moved Storage temperature range, T_{stg} to the Absolute Maximum Ratings	4
• Changed <i>Handling Ratings</i> To ESD Ratings	4
• Changed $R_{\theta JA} = 294^{\circ}\text{C/W}$ To: $R_{\theta JA} = 161.8^{\circ}\text{C/W}$ in Thermal Considerations	27
• Changed text "maximum power dissipation is about 130 mW." To: "maximum power dissipation is about 247 mW." in Thermal Considerations	27
• Changed Equation 8 From: = 136 mW To: = 247 mW	27

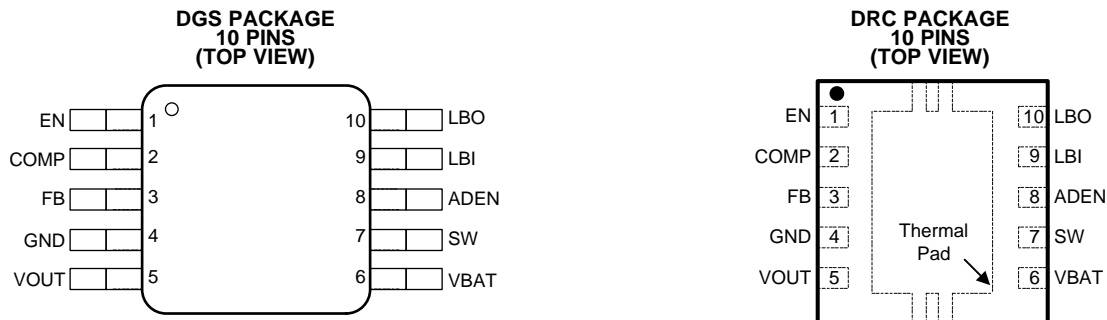
Changes from Revision D (June 2005) to Revision E	Page
• Added <i>Pin Configuration and Functions</i> section, <i>Handling Rating</i> table, <i>Feature Description</i> section, <i>Device Functional Modes</i> , <i>Application and Implementation</i> section, <i>Power Supply Recommendations</i> section, <i>Layout</i> section, <i>Device and Documentation Support</i> section, and <i>Mechanical, Packaging, and Orderable Information</i> section	1

5 Device Comparison Table

T _A	OUTPUT VOLTAGE (V)	PART NUMBER ⁽¹⁾	MARKING DGS PACKAGE	PACKAGE ⁽²⁾
–40°C to 85°C	Adjustable from 1.5 to 3.3	TPS61010DGS	AIP	10-Pin MSOP
	1.5	TPS61011DGS	AIQ	
	1.8	TPS61012DGS	AIR	
	2.5	TPS61013DGS	AIS	
	2.8	TPS61014DGS	AIT	
	3.0	TPS61015DGS	AIU	
	3.3	TPS61016DGS	AIV	
	Adjustable from 1.5 to 3.3	TPS61010DRC	AYA	10-Pin QFN

- (1) The DGS package and the DRC package are available taped and reeled. Add a R suffix to device type (for example, TPS61010DGSR or TPS61010DRCR) to order quantities of 3000 devices per reel. The DRC package is also available in mini-reels. Add a T suffix to the device type (for example, TPS61010DRCT) to order quantities of 250 devices per reel.
- (2) For the most current package and ordering information, see the Package Option Addendum at the end of this document, or see the TI Web site at www.ti.com.

6 Pin Configuration and Functions



Pin Functions

NAME	PIN		I/O	DESCRIPTION
	DRG NO.	DRC NO.		
ADEN	8	8	I	Autodischarge output. The autodischarge function is enabled if this pin is connected to VBAT, it is disabled if ADEN is tied to GND.
COMP	2	2	I	Compensation of error amplifier. Connect an R/C/C network to set frequency response of control loop.
EN	1	1	I	Chip-enable input. The converter is switched on if this pin is set high, it is switched off if this pin is connected to GND.
FB	3	3	I	Feedback input for adjustable output voltage version TPS61010. Output voltage is programmed depending on the output voltage divider connected there. For the fixed output voltage versions, leave FB-pin unconnected.
GND	4	4		Ground
LBI	9	9	I	Low-battery detector input. A low battery warning is generated at LBO when the voltage on LBI drops below the threshold of 500 mV. Connect LBI to GND or VBAT if the low-battery detector function is not used. Do not leave this pin floating.
LBO	10	10	O	Open-drain low-battery detector output. This pin is pulled low if the voltage on LBI drops below the threshold of 500 mV. A pullup resistor must be connected between LBO and VOUT.
SW	7	7	I	Switch input pin. The inductor is connected to this pin.
VBAT	6	6	I	Supply pin
VOUT	5	5	O	Output voltage. Internal resistor divider sets regulated output voltage in fixed output voltage versions.

7 Specifications

7.1 Absolute Maximum Ratings

over operating free-air temperature range (unless otherwise noted)⁽¹⁾

		MIN	MAX	UNIT
Input voltage	V _{BAT} , V _{OUT} , EN, LBI, FB, ADEN	-0.3	3.6	V
	SW	-0.3	7	V
Voltage	LBO, COMP	-0.3	3.6	V
Operating free-air temperature range, T _A		-40	85	°C
Maximum junction temperature, T _J			150	°C
Storage temperature range, T _{stg}		-65	150	°C

- (1) Stresses beyond those listed under Absolute Maximum Ratings may cause permanent damage to the device. These are stress ratings only, and functional operation of the device at these or any other conditions beyond those indicated under *Recommended Operating Conditions* is not implied. Exposure to absolute-maximum-rated conditions for extended periods may affect device reliability.

7.2 ESD Ratings

		VALUEMAX	UNIT
V _(ESD) Electrostatic discharge	Human body model (HBM), per ANSI/ESDA/JEDEC JS-001, all pins ⁽¹⁾	±2000	V
	Charged device model (CDM), per JEDEC specification JESD22-C101, all pins ⁽²⁾	±1000	

- (1) JEDEC document JEP155 states that 500-V HBM allows safe manufacturing with a standard ESD control process.
 (2) JEDEC document JEP157 states that 250-V CDM allows safe manufacturing with a standard ESD control process.

7.3 Recommended Operating Conditions

		MIN	NOM	MAX	UNIT
V _I	Supply voltage at V _{BAT}	0.8		V _{OUT}	V
I _O	Maximum output current at V _{IN} = 1.2 V	100			mA
I _O	Maximum output current at V _{IN} = 2.4 V	200			mA
L ₁	Inductor	10	33		μH
C _I	Input capacitor		10		μF
C _O	Output capacitor	10	22	47	μF
T _J	Operating virtual junction temperature	-40		125	°C

7.4 Thermal Information

THERMAL METRIC ⁽¹⁾		TPS6101x	TPS61010	UNIT
		DGS	DRC	
		10 PINS		
R _{θJA}	Junction-to-ambient thermal resistance	161.8	43.1	°C/W
R _{θJC(top)}	Junction-to-case (top) thermal resistance	36.3	67.4	
R _{θJB}	Junction-to-board thermal resistance	82.7	18.1	
Ψ _{JT}	Junction-to-top characterization parameter	1.3	1.6	
Ψ _{JB}	Junction-to-board characterization parameter	81.1	18.2	
R _{θJC(bot)}	Junction-to-case (bottom) thermal resistance	N/A	5.2	

- (1) For more information about traditional and new thermal metrics, see the *IC Package Thermal Metrics* application report, [SPRA953](#).

7.5 Electrical Characteristics

 over recommended operating free-air temperature range, $V_{BAT} = 1.2\text{ V}$, $EN = V_{BAT}$ (unless otherwise noted)

PARAMETER		TEST CONDITIONS	MIN	TYP	MAX	UNIT
V_I	Minimum input voltage for start-up	$R_L = 33\ \Omega$		0.85	0.9	V
		$R_L = 3\ \text{k}\Omega$, $T_A = 25\ ^\circ\text{C}$	0.8			
	Input voltage once started	$I_O = 100\ \text{mA}$	0.8			
V_O	Output voltage	TPS61010, $I_{OUT} = 100\ \text{mA}$	1.5		3.3	V
		TPS61011, $0.8\ \text{V} < V_I < V_O$, $I_O = 0$ to $100\ \text{mA}$	1.45	1.5	1.55	V
		TPS61012, $0.8\ \text{V} < V_I < V_O$, $I_O = 0$ to $100\ \text{mA}$	1.74	1.8	1.86	V
		TPS61013, $0.8\ \text{V} < V_I < V_O$, $I_O = 0$ to $100\ \text{mA}$	2.42	2.5	2.58	V
		TPS61013, $1.6\ \text{V} < V_I < V_O$, $I_O = 0$ to $200\ \text{mA}$	2.42	2.5	2.58	V
		TPS61014, $0.8\ \text{V} < V_I < V_O$, $I_O = 0$ to $100\ \text{mA}$	2.72	2.8	2.88	V
		TPS61014, $1.6\ \text{V} < V_I < V_O$, $I_O = 0$ to $200\ \text{mA}$	2.72	2.8	2.88	V
		TPS61015, $0.8\ \text{V} < V_I < V_O$, $I_O = 0$ to $100\ \text{mA}$	2.9	3.0	3.1	V
		TPS61015, $1.6\ \text{V} < V_I < V_O$, $I_O = 0$ to $200\ \text{mA}$	2.9	3.0	3.1	V
		TPS61016, $0.8\ \text{V} < V_I < V_O$, $I_O = 0$ to $100\ \text{mA}$	3.2	3.3	3.4	V
TPS61016, $1.6\ \text{V} < V_I < V_O$, $I_O = 0$ to $200\ \text{mA}$	3.2	3.3	3.4	V		
I_O	Maximum continuous output current	$V_I > 0.8\ \text{V}$	100			mA
		$V_I > 1.8\ \text{V}$	250			
$I_{(SW)}$	Switch current limit	TPS61011, once started	0.39	0.48		A
		TPS61012, once started	0.54	0.56		
		TPS61013, once started	0.85	0.93		
		TPS61014, once started	0.95	1.01		
		TPS61015, once started	1	1.06		
		TPS61016, once started	1.07	1.13		
$V_{(FB)}$	Feedback voltage		480	500	520	mV
f	Oscillator frequency		420	500	780	kHz
D	Maximum duty cycle		85%			
$r_{DS(on)}$	NMOS switch on-resistance	$V_O = 1.5\ \text{V}$		0.37	0.51	Ω
	PMOS switch on-resistance			0.45	0.54	
$r_{DS(on)}$	NMOS switch on-resistance	$V_O = 3.3\ \text{V}$		0.2	0.37	Ω
	PMOS switch on-resistance			0.3	0.45	
	Line regulation ⁽¹⁾	$V_I = 1.2\ \text{V}$ to $1.4\ \text{V}$, $I_O = 100\ \text{mA}$		0.3		%V
	Load regulation ⁽¹⁾	$V_I = 1.2\ \text{V}$; $I_O = 50\ \text{mA}$ to $100\ \text{mA}$		0.1		
	Autodischarge switch resistance			300	400	Ω
	Residual output voltage after autodischarge	ADEN = V_{BAT} ; EN = GND			0.4	V
V_{IL}	LBI voltage threshold ⁽²⁾	$V_{(LBI)}$ voltage decreasing	480	500	520	mV
	LBI input hysteresis			10		mv
	LBI input current			0.01	0.03	
V_{OL}	LBO output low voltage	$V_{(LBI)} = 0\ \text{V}$, $V_O = 3.3\ \text{V}$, $I_{(OL)} = 10\ \mu\text{A}$		0.04	0.2	V
	LBO output leakage current	$V_{(LBI)} = 650\ \text{mV}$, $V_{(LBO)} = V_O$			0.03	μA
$I_{(FB)}$	FB input bias current (TPS61010 only)	$V_{(FB)} = 500\ \text{mV}$		0.01	0.03	
V_{IL}	EN and ADEN input low voltage	$0.8\ \text{V} < V_{BAT} < 3.3\ \text{V}$		$0.2 \times V_{BAT}$		V

(1) Line and load regulation is measured as a percentage deviation from the nominal value (i.e., as percentage deviation from the nominal output voltage). For line regulation, x %/V stands for $\pm x\%$ change of the nominal output voltage per 1-V change on the input/supply voltage. For load regulation, y% stands for $\pm y\%$ change of the nominal output voltage per the specified current change.

(2) For proper operation the voltage at LBI may not exceed the voltage at V_{BAT} .

Electrical Characteristics (continued)

 over recommended operating free-air temperature range, V_{BAT} = 1.2 V, EN = V_{BAT} (unless otherwise noted)

PARAMETER		TEST CONDITIONS	MIN	TYP	MAX	UNIT
V _{IH}	EN and ADEN input high voltage	0.8 V < V _{BAT} < 3.3 V	0.8 × V _{BAT}			V
	EN and ADEN input current	EN and ADEN = GND or V _{BAT}		0.01	0.03	μA
I _q	Quiescent current into pins V _{BAT} /SW and V _{OUT}	I _L = 0 mA, V _{EN} = V _I	V _{BAT} /SW	31	46	μA
			V _O	5	8	
I _{off}	Shutdown current from power source	V _{EN} = 0 V, ADEN = V _{BAT} , T _A = 25°C		1	3	μA

7.6 Typical Characteristics

7.6.1 Table of Graphs

		FIGURE
Maximum output current	vs Input voltage for $V_O = 2.5\text{ V}, 3.3\text{ V}$	Figure 1
	vs Input voltage for $V_O = 1.5\text{ V}, 1.8\text{ V}$	Figure 2
Efficiency	vs Output current for $V_I = 1.2\text{ V}, V_O = 1.5\text{ V}, L1 = \text{Sumida CDR74} - 10\text{ }\mu\text{H}$	Figure 3
	vs Output current for $V_I = 1.2\text{ V}, V_O = 2.5\text{ V}, L1 = \text{Sumida CDR74} - 10\text{ }\mu\text{H}$	Figure 4
	vs Output current for $V_{IN} = 1.2\text{ V}, V_O = 3.3\text{ V}, L1 = \text{Sumida CDR74} - 10\text{ }\mu\text{H}$	Figure 5
	vs Output current for $V_I = 2.4\text{ V}, V_O = 3.3\text{ V}, L1 = \text{Sumida CDR74} - 10\text{ }\mu\text{H}$	Figure 6
	vs Input voltage for $I_O = 10\text{ mA}, I_O = 100\text{ mA}, I_O = 200\text{ mA}, V_O = 3.3\text{ V}, L1 = \text{Sumida CDR74} - 10\text{ }\mu\text{H}$	Figure 7
	TPS61016, $V_{BAT} = 1.2\text{ V}, I_O = 100\text{ mA}$	Figure 8
	Sumida CDRH6D38 - 10 μH	
	Sumida CDRH5D18 - 10 μH	
	Sumida CDRH74 - 10 μH	
	Sumida CDRH74B - 10 μH	
	Coilcraft DS 1608C - 10 μH	
	Coilcraft DO 1608C - 10 μH	
	Coilcraft DO 3308P - 10 μH	
	Coilcraft DS 3316 - 10 μH	
	Coiltronics UP1B - 10 μH	
	Coiltronics UP2B - 10 μH	
	Murata LQS66C - 10 μH	
Murata LQN6C - 10 μH		
TDK SLF 7045 - 10 μH		
TDK SLF 7032 - 10 μH		
Output voltage	vs Output current TPS61011	Figure 9
	vs Output current TPS61013	Figure 10
	vs Output current TPS61016	Figure 11
Minimum supply start-up voltage	vs Load resistance	Figure 12
No-load supply current	vs Input voltage	Figure 13
Shutdown supply current	vs Input voltage	Figure 14
Switch current limit	vs Output voltage	Figure 15

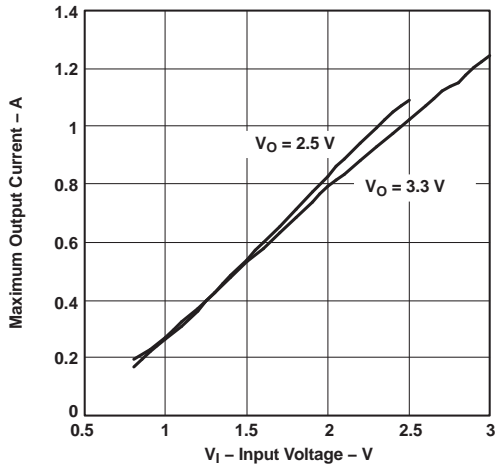


Figure 1. Maximum Output Current vs Input Voltage

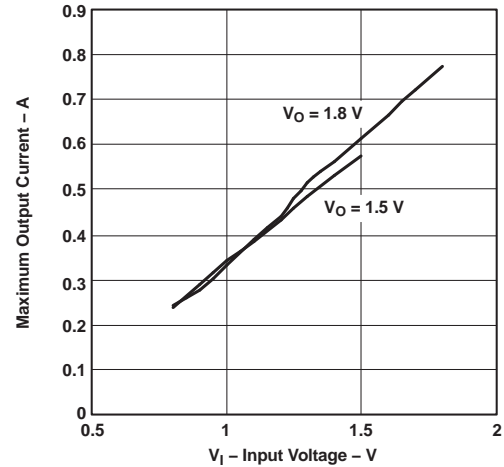


Figure 2. Maximum Output Current vs Input Voltage

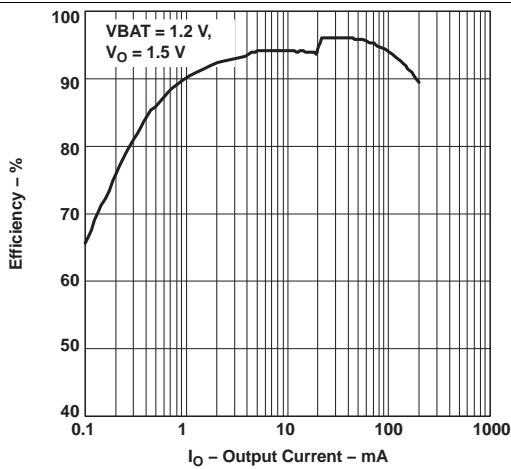


Figure 3. Efficiency vs Output Current

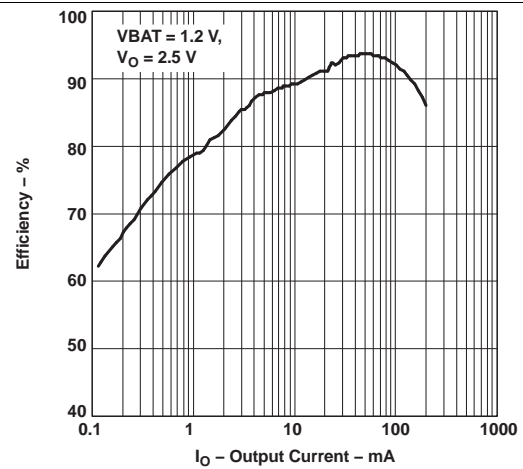


Figure 4. Efficiency vs Output Current

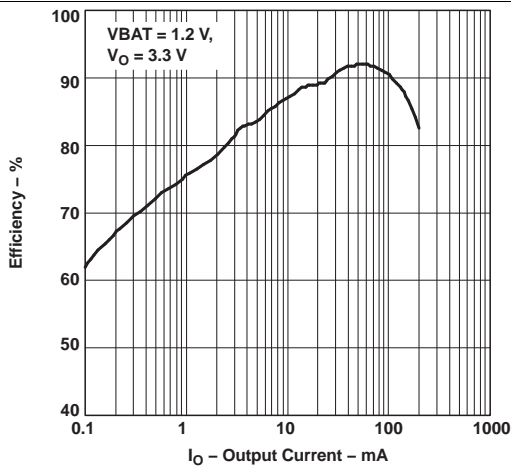


Figure 5. Efficiency vs Output Current

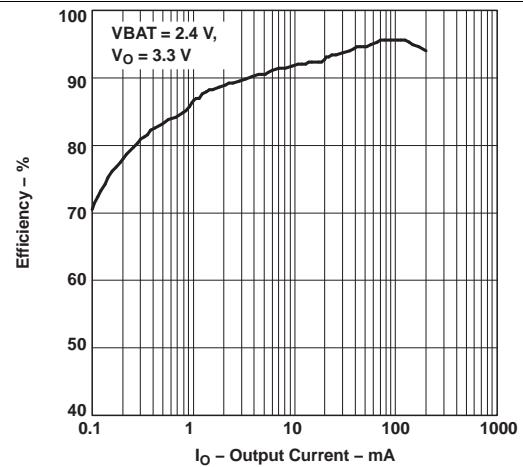


Figure 6. Efficiency vs Output Current

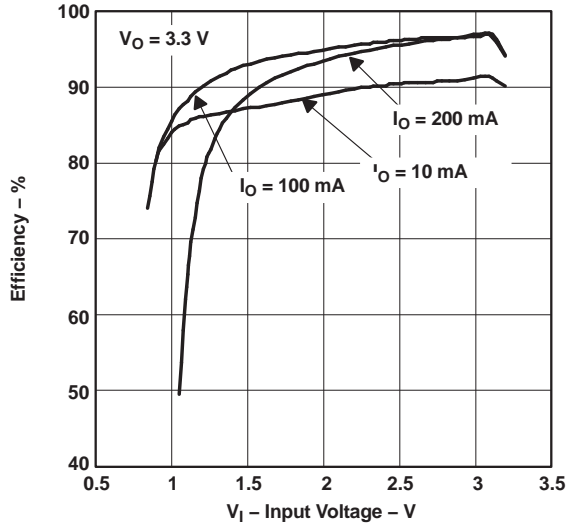


Figure 7. Efficiency vs Input Voltage

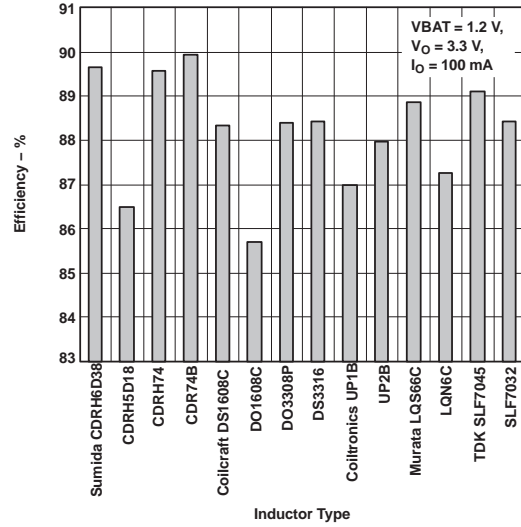


Figure 8. Efficiency vs Inductor Type

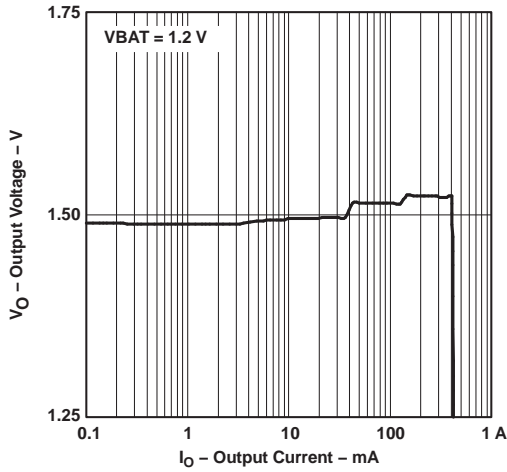


Figure 9. Output Voltage vs Output Current

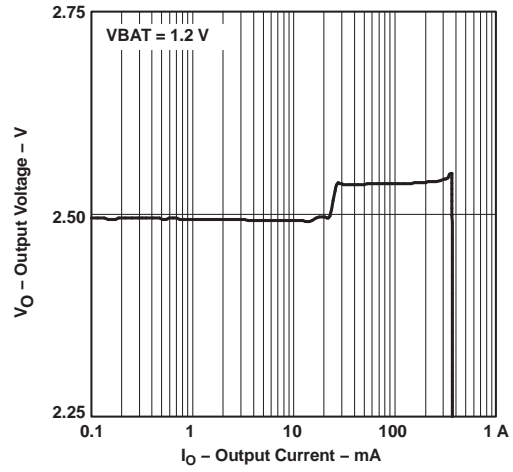


Figure 10. Output Voltage vs Output Current

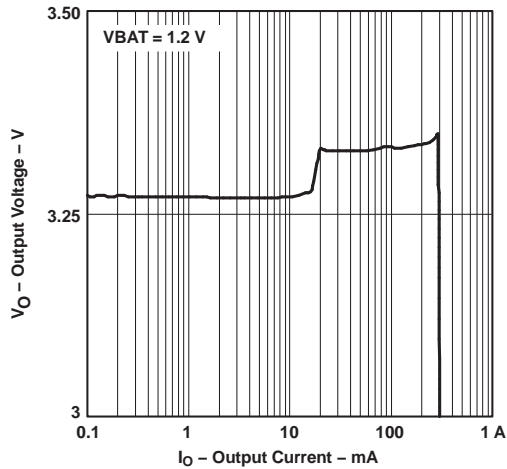


Figure 11. Output Voltage vs Output Current

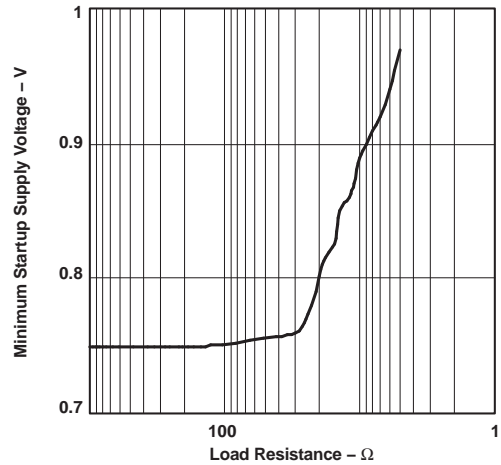


Figure 12. Minimum Start-Up Supply Voltage vs Load Resistance

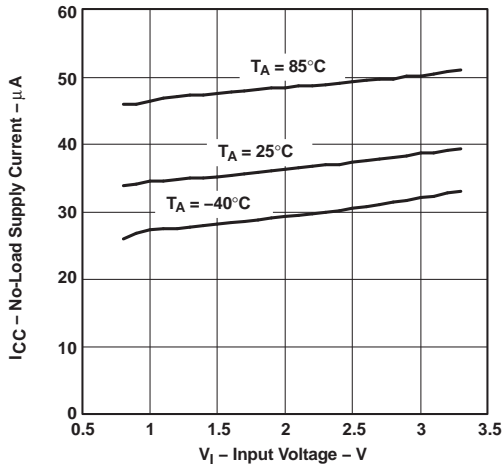


Figure 13. No-Load Supply Current vs Input Voltage

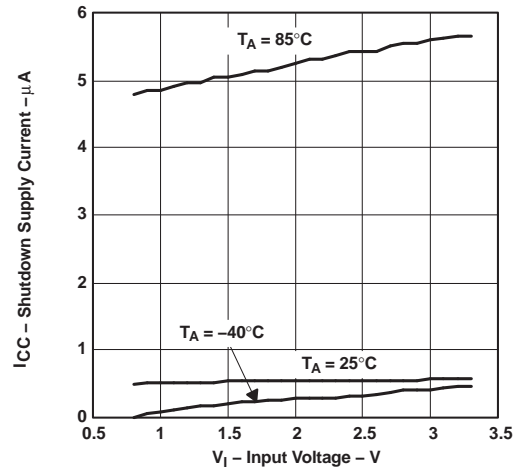


Figure 14. Shutdown Supply Current vs Input Voltage

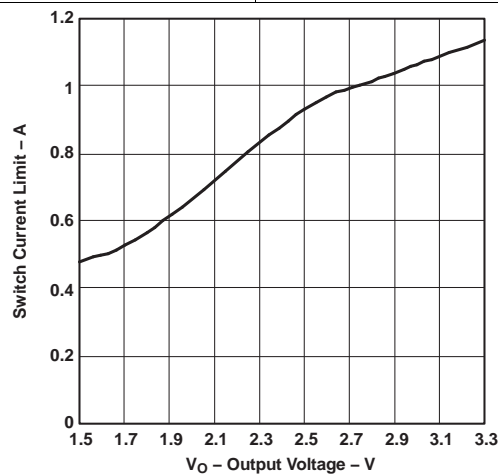
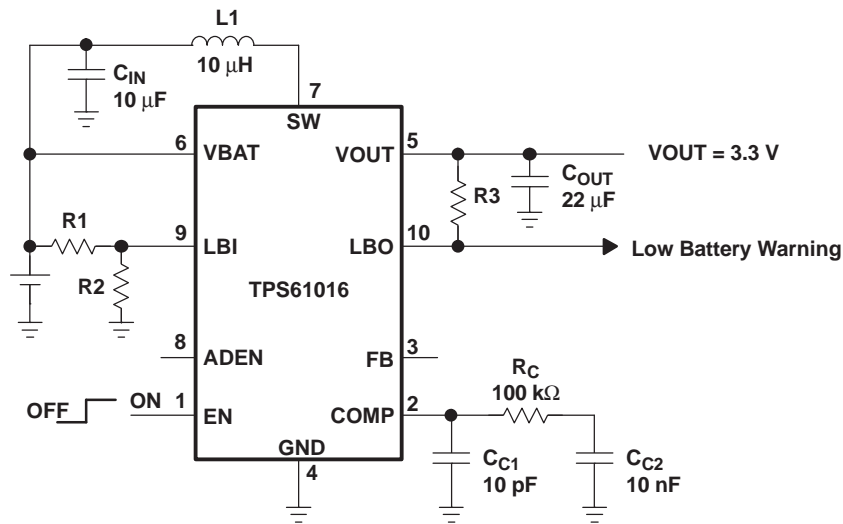


Figure 15. Switch Current Limit vs Output Voltage

8 Parameter Measurement Information



List of Components:

IC1: Only Fixed Output Versions
(Unless Otherwise Noted)

L1: SUMIDA CDRH6D38 – 100

C_{IN}: X7R/X5R Ceramic

C_{OUT}: X7R/X5R Ceramic

Figure 16. Circuit Used for Typical Characteristics Measurements

9 Detailed Description

9.1 Overview

The converter is based on a fixed frequency, current mode, pulse-width-modulation (PWM) Boost converter with the synchronous rectifier built in. The device limits the current through the power switch on a pulse by pulse basis. TPS6101x enters a power save-mode at light load. In this mode, TPS6101x only switches if the output voltage trips below a set threshold voltage. It ramps up the output voltage with one or several pulses, and goes again into power save-mode once the output voltage exceeds a set threshold voltage. The load is completely isolated from the battery when the device shutdown. An auto-discharge function allows discharging the output capacitor during shutdown. The auto-discharge function is enabled if this pin is connected to VBAT, and it is disabled if ADEN is tied to GND.

9.2 Functional Block Diagram

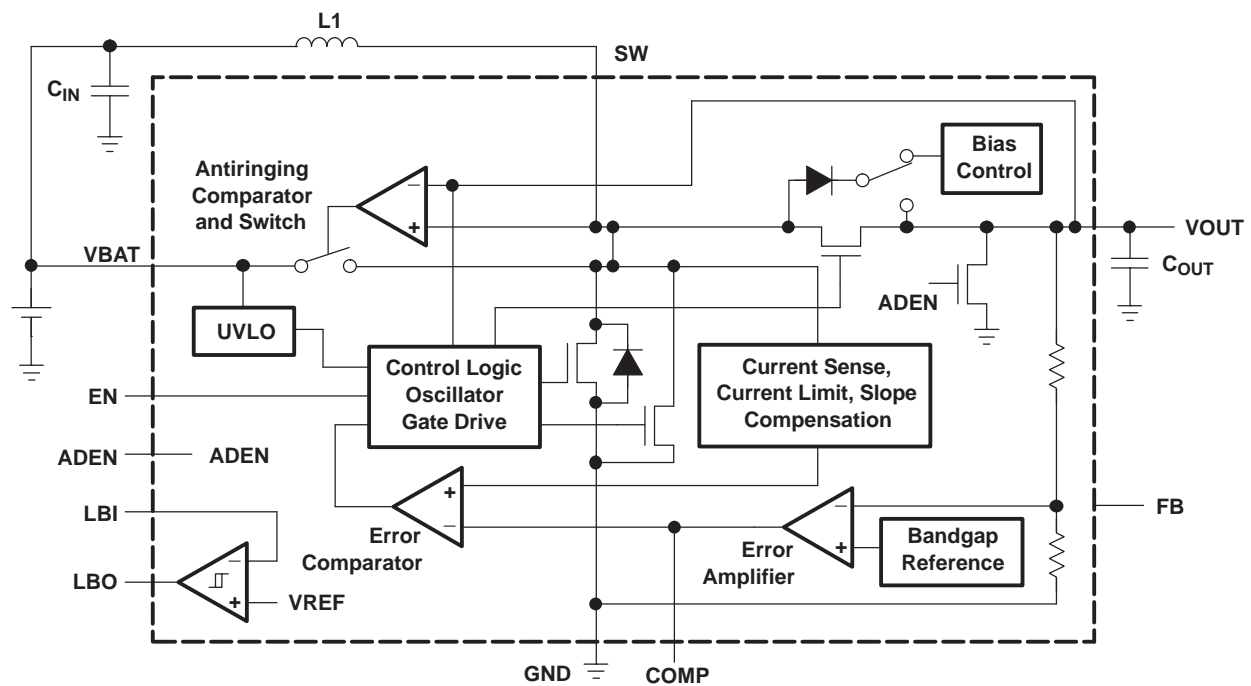
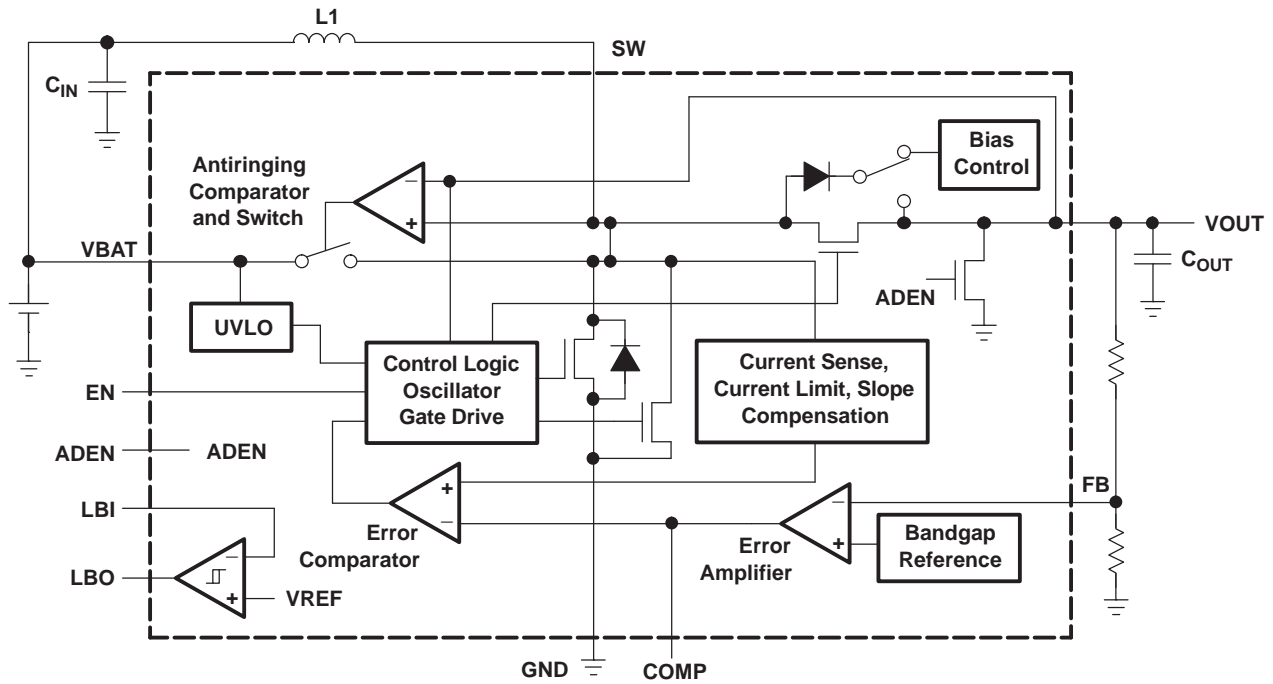


Figure 17. Fixed Output Voltage Versions TPS61011 to TPS61016

Functional Block Diagram (continued)

Figure 18. Adjustable Output Voltage Version TPS61010

9.3 Feature Description

9.3.1 Controller Circuit

The device is based on a current-mode control topology using a constant frequency pulse-width modulator to regulate the output voltage. The controller limits the current through the power switch on a pulse by pulse basis. The current-sensing circuit is integrated in the device, therefore, no additional components are required. Due to the nature of the boost converter topology used here, the peak switch current is the same as the peak inductor current, which will be limited by the integrated current limiting circuits under normal operating conditions.

The control loop must be externally compensated with an R-C-C network connected to the COMP-pin.

9.3.2 Synchronous Rectifier

The device integrates an N-channel and a P-channel MOSFET transistor to realize a synchronous rectifier. There is no additional Schottky diode required. Because the device uses an integrated low $r_{DS(on)}$ PMOS switch for rectification, the power conversion efficiency reaches 95%.

A special circuit is applied to disconnect the load from the input during shutdown of the converter. In conventional synchronous rectifier circuits, the backgate diode of the high-side PMOS is forward biased in shutdown and allows current flowing from the battery to the output. This device, however, uses a special circuit to disconnect the backgate diode of the high-side PMOS and so, disconnects the output circuitry from the source when the regulator is not enabled (EN = low).

The benefit of this feature for the system design engineer, is that the battery is not depleted during shutdown of the converter. So, no additional effort has to be made by the system designer to ensure disconnection of the battery from the output of the converter. Therefore, design performance will be increased without additional costs and board space.

Feature Description (continued)

9.3.3 Power-Save Mode

The TPS61010 is designed for high efficiency over a wide output current range. Even at light loads, the efficiency stays high because the switching losses of the converter are minimized by effectively reducing the switching frequency. The controller enters a powersave-mode if certain conditions are met. In this mode, the controller only switches on the transistor if the output voltage trips below a set threshold voltage. It ramps up the output voltage with one or several pulses, and goes again into powersave-mode once the output voltage exceeds a set threshold voltage.

9.3.4 Device Enable

The device is shut down when EN is set to GND. In this mode, the regulator stops switching, all internal control circuitry including the low-battery comparator, is switched off, and the load is disconnected from the input (as described above in the synchronous rectifier section). This also means that the output voltage may drop below the input voltage during shutdown.

The device is put into operation when EN is set high. During start-up of the converter, the duty cycle is limited in order to avoid high peak currents drawn from the battery. The limit is set internally by the current limit circuit and is proportional to the voltage on the COMP-pin.

9.3.5 Undervoltage Lockout (UVLO)

The UVLO function prevents the device from starting up if the supply voltage on VBAT is lower than approximately 0.7 V. This UVLO function is implemented in order to prevent the malfunctioning of the converter. When in operation and the battery is being discharged, the device will automatically enter the shutdown mode if the voltage on VBAT drops below approximately 0.7 V.

9.3.6 Autodischarge

The autodischarge function is useful for applications where the supply voltage of a μC , μP , or memory has to be removed during shutdown in order to ensure a defined state of the system.

The autodischarge function is enabled when the ADEN is set high, and is disabled when the ADEN is set to GND. When the autodischarge function is enabled, the output capacitor will be discharged after the device is shut down by setting EN to GND. The capacitors connected to the output are discharged by an integrated switch of 300 Ω , hence the discharge time depends on the total output capacitance. The residual voltage on VOUT is less than 0.4 V after autodischarge.

9.3.7 Low-Battery Detector Circuit (LBI and LBO)

The low-battery detector circuit is typically used to supervise the battery voltage and to generate an error flag when the battery voltage drops below a user-set threshold voltage. The function is active only when the device is enabled. When the device is disabled, the LBO-pin is high impedance. The LBO-pin goes active low when the voltage on the LBI-pin decreases below the set threshold voltage of 500 mV \pm 15 mV, which is equal to the internal reference voltage. The battery voltage, at which the detection circuit switches, can be programmed with a resistive divider connected to the LBI-pin. The resistive divider scales down the battery voltage to a voltage level of 500 mV, which is then compared to the LBI threshold voltage. The LBI-pin has a built-in hysteresis of 10 mV. See the application section for more details about the programming of the LBI-threshold.

If the low-battery detection circuit is not used, the LBI-pin should be connected to GND (or to VBAT) and the LBO-pin can be left unconnected. Do not let the LBI-pin float.

9.3.8 Antiringing Switch

The device integrates a circuit that removes the ringing that typically appears on the SW-node when the converter enters the discontinuous current mode. In this case, the current through the inductor ramps to zero and the integrated PMOS switch turns off to prevent a reverse current from the output capacitors back to the battery. Due to remaining energy that is stored in parasitic components of the semiconductors and the inductor, a ringing on the SW pin is induced. The integrated antiringing switch clamps this voltage internally to V_{BAT} and therefore, dampens this ringing.

Feature Description (continued)

9.3.9 Adjustable Output Voltage

The devices with fixed output voltages are trimmed to operate with an output voltage accuracy of $\pm 3\%$.

The accuracy of the adjustable version is determined by the accuracy of the internal voltage reference, the controller topology, and the accuracy of the external resistor. The reference voltage has an accuracy of $\pm 4\%$ over line, load, and temperature. The controller switches between fixed frequency and pulse-skip mode, depending on load current. This adds an offset to the output voltage that is equivalent to 1% of V_O . The tolerance of the resistors in the feedback divider determine the total system accuracy.

9.4 Device Functional Modes

Table 1. TPS6101x Operation Modes

MODE	DESCRIPTION	CONDITION
PWM	Boost in normal switching operation	Heavy load
PFM	Boost in power save operation	Light load

10 Application and Implementation

NOTE

Information in the following applications sections is not part of the TI component specification, and TI does not warrant its accuracy or completeness. TI's customers are responsible for determining suitability of components for their purposes. Customers should validate and test their design implementation to confirm system functionality.

10.1 Application Information

The devices are designed to operate from an input voltage supply range between 0.9 V and 3.3 V with a maximum switch current limit up to 1300mA. The devices operate in PWM mode from the medium to heavy load conditions and in power save mode at light load condition. In PWM mode the TPS6101x converter operates with the nominal switching frequency of 500kHz. As the load current decreases, the converter enters power save mode, reducing the switching frequency and minimizing the IC quiescent current to achieve high efficiency over the entire load current range.

10.2 Typical Applications

10.2.1 1.8-mm Maximum Height Power Supply With Single Battery Cell Input Using Low Profile Components

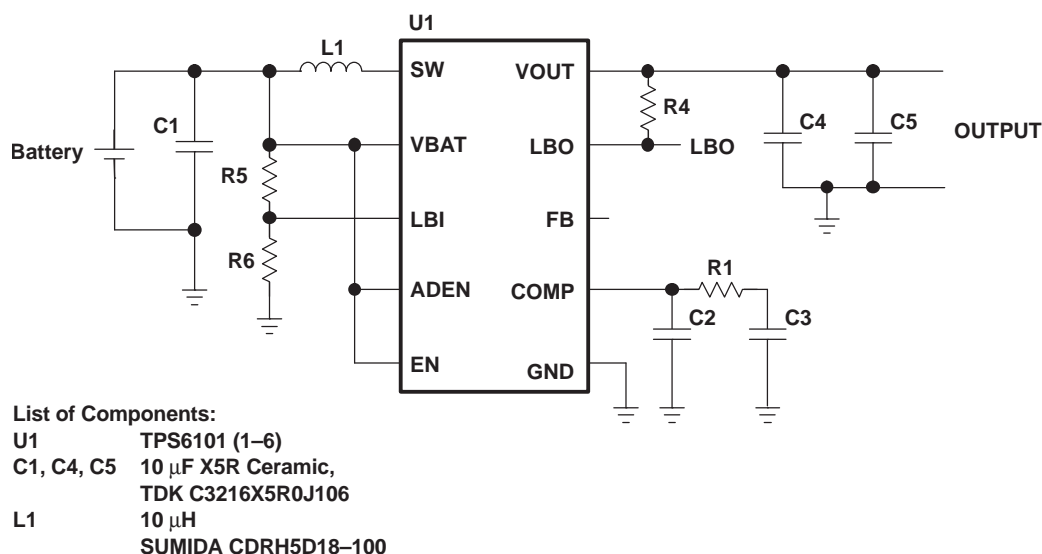


Figure 19. 1.8-mm Maximum Height Power Supply With Single Battery Cell Input Using Low Profile Components Schematic

10.2.1.1 Design Requirements

Use the following typical application design procedure to select external components values for the TPS6101x device.

Typical Applications (continued)
Table 2. TPS61010 3.3 V Output Design Parameters

DESIGN PARAMETERS	EXAMPLE VALUES
Input Voltage Range	0.9 V to 3.3 V
Output Voltage	3.3 V
Output Voltage Ripple	±3% VOUT
Transient Response	±10% VOUT
Input Voltage Ripple	±200 mV
Output Current Rating	200 mA
Operating Frequency	500 kHz

10.2.1.2 Detailed Design Procedure

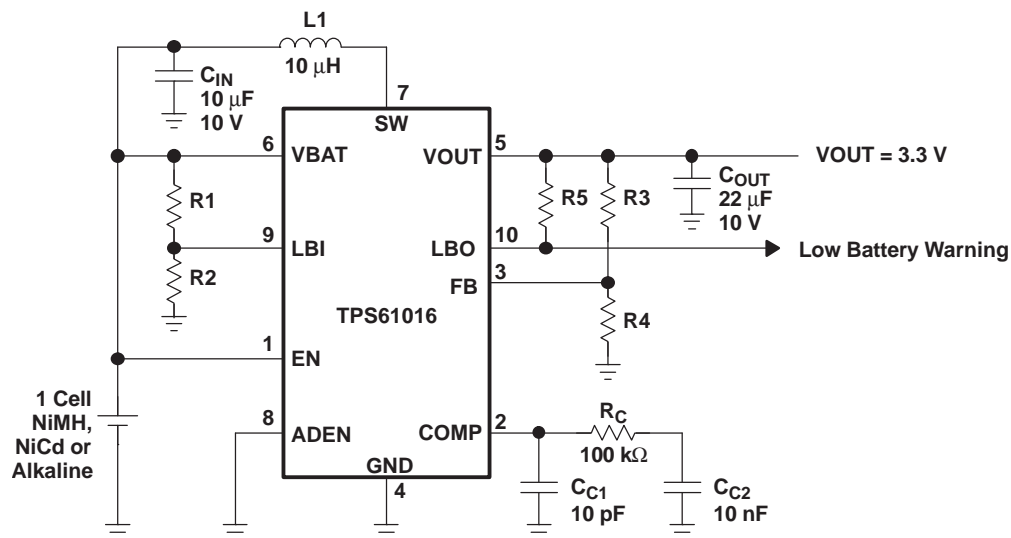
The TPS6101x boost converter family is intended for systems that are powered by a single-cell NiCd or NiMH battery with a typical terminal voltage between 0.9 V to 1.6 V. It can also be used in systems that are powered by two-cell NiCd or NiMH batteries with a typical stack voltage between 1.8 V and 3.2 V. Additionally, single- or dual-cell, primary and secondary alkaline battery cells can be the power source in systems where the TPS6101x is used.

10.2.1.2.1 Programming the TPS61010 Adjustable Output Voltage Device

The output voltage of the TPS61010 can be adjusted with an external resistor divider. The typical value of the voltage on the FB pin is 500 mV in fixed frequency operation and 485 mV in the power-save operation mode. The maximum allowed value for the output voltage is 3.3 V. The current through the resistive divider should be about 100 times greater than the current into the FB pin. The typical current into the FB pin is 0.01 μA, and the voltage across R4 is typically 500 mV. Based on those two values, the recommended value for R4 is in the range of 500 kΩ in order to set the divider current at 1 μA. From that, the value of resistor R3, depending on the needed output voltage (V_O), can be calculated using [Equation 1](#).

$$R3 = R4 \times \left(\frac{V_o}{V_{FB}} - 1 \right) = 500k\Omega \times \left(\frac{V_o}{500mV} - 1 \right) \quad (1)$$

If, as an example, an output voltage of 2.5 V is needed, a 2-MΩ resistor should be chosen for R3.


Figure 20. Typical Application Circuit for Adjustable Output Voltage Option

The output voltage of the adjustable output voltage version changes with the output current. Due to device-internal ground shift, which is caused by the high switch current, the internal reference voltage and the voltage on the FB pin increases with increasing output current. Since the output voltage follows the voltage on the FB pin, the output voltage rises as well with a rate of 1 mV per 1-mA output current increase. Additionally, when the converter goes into pulse-skip mode at output currents around 5 mA and lower, the output voltage drops due to the hysteresis of the controller. This hysteresis is about 15 mV, measured on the FB pin.

10.2.1.2.2 Programming the Low Battery Comparator Threshold Voltage

The current through the resistive divider should be about 100 times greater than the current into the LBI pin. The typical current into the LBI pin is 0.01 μ A, the voltage across R2 is equal to the reference voltage that is generated on-chip, which has a value of 500 mV \pm 15 mV. The recommended value for R2 is therefore in the range of 500 k Ω . From that, the value of resistor R1, depending on the desired minimum battery voltage V_{BAT} , can be calculated using [Equation 2](#).

$$R1 = R2 \times \left(\frac{V_{BAT}}{V_{REF}} - 1 \right) = 500k\Omega \times \left(\frac{V_{BAT}}{500mV} - 1 \right) \quad (2)$$

For example, if the low-battery detection circuit should flag an error condition on the LBO output pin at a battery voltage of 1 V, a resistor in the range of 500 k Ω should be chosen for R1. The output of the low battery comparator is a simple open-drain output that goes active low if the battery voltage drops below the programmed threshold voltage on LBI. The output requires a pullup resistor with a recommended value of 1 M Ω , and should only be pulled up to the V_O . If not used, the LBO pin can be left floating or tied to GND.

10.2.1.2.3 Inductor Selection

A boost converter normally requires two main passive components for storing energy during the conversion. A boost inductor is required and a storage capacitor at the output. To select the boost inductor, it is recommended to keep the possible peak inductor current below the current limit threshold of the power switch in the chosen configuration. For example, the current limit threshold of the TPS61010's switch is 1100 mA at an output voltage of 3.3 V. The highest peak current through the inductor and the switch depends on the output load, the input (V_{BAT}), and the output voltage (V_O). Estimation of the maximum average inductor current can be done using [Equation 3](#).

$$I_L = I_{OUT} \times \frac{V_O}{V_{BAT} \times 0.8} \quad (3)$$

For example, for an output current of 100 mA at 3.3 V, at least 515-mA of current flows through the inductor at a minimum input voltage of 0.8 V.

The second parameter for choosing the inductor is the desired current ripple in the inductor. Normally, it is advisable to work with a ripple of less than 20% of the average inductor current. A smaller ripple reduces the magnetic hysteresis losses in the inductor, as well as output voltage ripple and EMI. But in the same way, regulation time at load changes rises. In addition, a larger inductor increases the total system costs.

With those parameters, it is possible to calculate the value for the inductor by using [Equation 4](#).

$$L = \frac{V_{BAT} \times (V_{OUT} - V_{BAT})}{\Delta I_L \times f \times V_{OUT}} \quad (4)$$

Parameter 7 is the switching frequency and ΔI_L is the ripple current in the inductor, that is, $20\% \times I_L$.

In this example, the desired inductor has the value of 12 μ H. With this calculated value and the calculated currents, it is possible to choose a suitable inductor. Care must be taken that load transients and losses in the circuit can lead to higher currents as estimated in [Equation 3](#). Also, the losses in the inductor caused by magnetic hysteresis losses and copper losses are a major parameter for total circuit efficiency.

The following inductor series from different suppliers were tested. All work with the TPS6101x converter within their specified parameters:

Table 3. Recommended Inductors

VENDOR	RECOMMENDED INDUCTOR SERIES
Sumida	Sumida CDR74B
	Sumida CDRH74
	Sumida CDRH5D18
	Sumida CDRH6D38
Coilcraft	Coilcraft DO 1608C
	Coilcraft DS 1608C
	Coilcraft DS 3316
	Coilcraft DT D03308P
Coiltronics	Coiltronics UP1B
	Coiltronics UP2B
Murata	Murata LQS66C
	Murata LQN6C
TDK	TDK SLF 7045
	TDK SLF 7032

10.2.1.2.4 Capacitor Selection

The major parameter necessary to define the output capacitor is the maximum allowed output voltage ripple of the converter. This ripple is determined by two parameters of the capacitor, the capacitance and the ESR. It is possible to calculate the minimum capacitance needed for the defined ripple, supposing that the ESR is zero, by using [Equation 5](#).

$$C_{\min} = \frac{I_{\text{OUT}} \times (V_{\text{OUT}} - V_{\text{BAT}})}{f \times \Delta V \times V_{\text{OUT}}} \quad (5)$$

Parameter f is the switching frequency and ΔV is the maximum allowed ripple.

With a chosen ripple voltage of 15 mV, a minimum capacitance of 10 μF is needed. The total ripple is larger due to the ESR of the output capacitor. This additional component of the ripple can be calculated using [Equation 6](#).

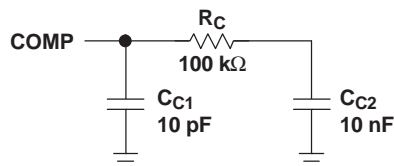
$$\Delta V_{\text{ESR}} = I_{\text{OUT}} \times R_{\text{ESR}} \quad (6)$$

An additional ripple of 30 mV is the result of using a tantalum capacitor with a low ESR of 300 m Ω . The total ripple is the sum of the ripple caused by the capacitance and the ripple caused by the ESR of the capacitor. In this example, the total ripple is 45 mV. It is possible to improve the design by enlarging the capacitor or using smaller capacitors in parallel to reduce the ESR or by using better capacitors with lower ESR, like ceramics. For example, a 10 μF ceramic capacitor with an ESR of 50 m Ω is used on the evaluation module (EVM). Tradeoffs must be made between performance and costs of the converter circuit.

A 10- μF input capacitor is recommended to improve transient behavior of the regulator. A ceramic capacitor or a tantalum capacitor with a 100 nF ceramic capacitor in parallel placed close to the IC is recommended.

10.2.1.2.5 Compensation of the Control Loop

An R/C/C network must be connected to the COMP pin in order to stabilize the control loop of the converter. Both the pole generated by the inductor L1 and the zero caused by the ESR and capacitance of the output capacitor must be compensated. The network shown in [Figure 21](#) satisfies these requirements.


Figure 21. Compensation of Control Loop

Resistor R_C and capacitor C_{C2} depend on the chosen inductance. For a 10 μH inductor, the capacitance of C_{C2} should be chosen to 10 nF, or in other words, if the inductor is **XX** μH , the chosen compensation capacitor should be **XX** nF, the same number value. The value of the compensation resistor is then chosen based on the requirement to have a time constant of 1 ms, for the R/C network R_C and C_{C2} , hence for a 33 nF capacitor, a 33 k Ω resistor should be chosen for R_C .

Capacitor C_{C1} depends on the ESR and capacitance value of the output capacitor, and on the value chosen for R_C . Its value is calculated using [Equation 7](#).

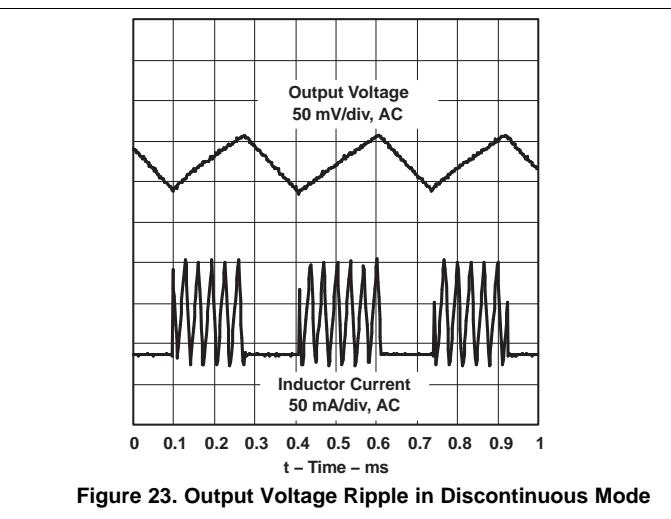
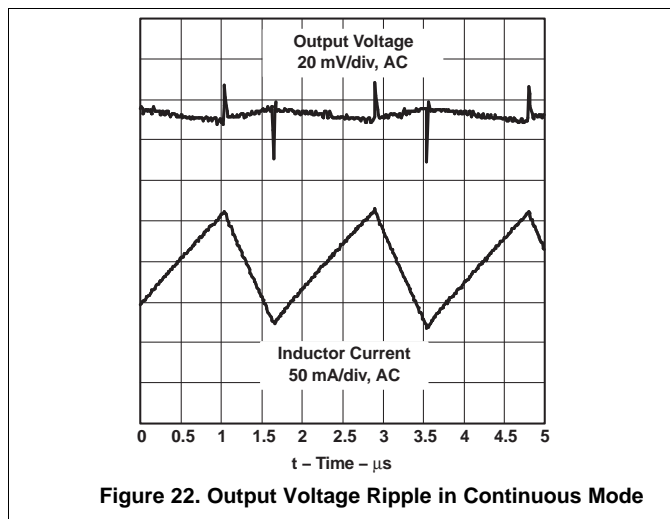
$$C_{C1} = \frac{C_{\text{OUT}} \times \text{ESR}_{\text{COUT}}}{R_C} \quad (7)$$

For a selected output capacitor of 22 μF with an ESR of 0.2 Ω , an R_C of 33 k Ω , the value of C_{C1} is in the range of 100 pF.

Table 4. Recommended Compensation Components

INDUCTOR [μH]	OUTPUT CAPACITOR		RC [k Ω]	CC1 [pF]	CC2 [nF]
	CAPACITANCE [μF]	ESR [Ω]			
33	22	0.2	33	120	33
22	22	0.3	47	150	22
10	22	0.4	100	100	10
10	10	0.1	100	10	10

10.2.1.3 Application Curves



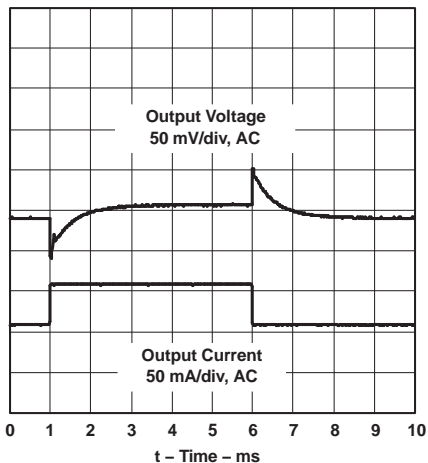


Figure 24. Load Transient Response

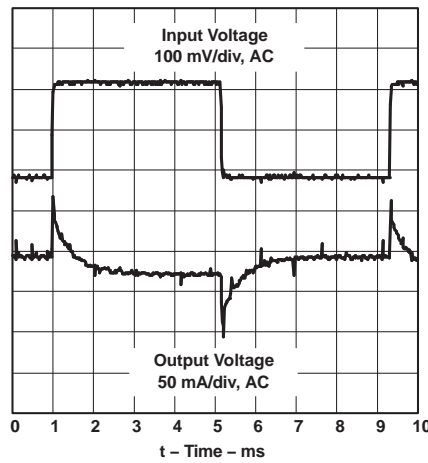


Figure 25. Line Transient Response

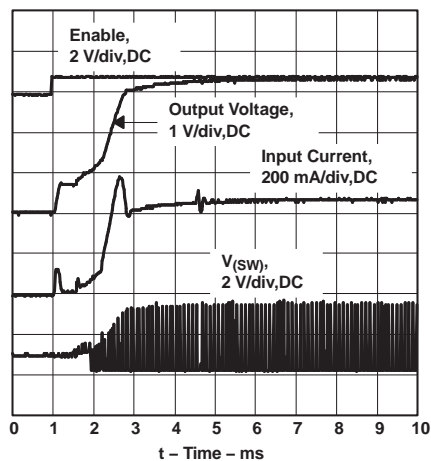


Figure 26. Converter Start-Up Time After Enable

10.2.2 250-mA Power Supply With Two Battery Cell Input

TPS6101x application schematic of 2 Cell AA Battery Input and >250-mA output current.

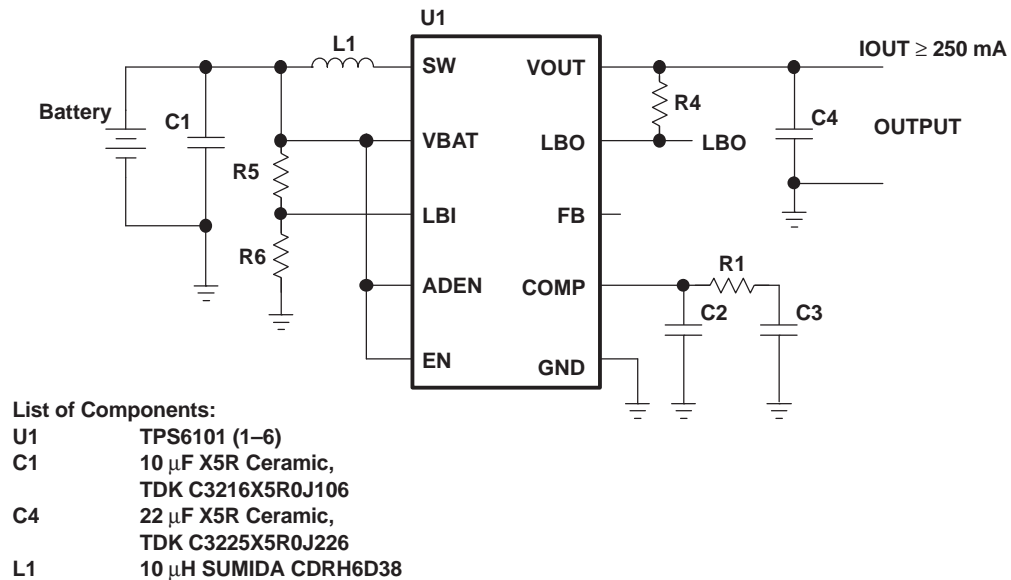
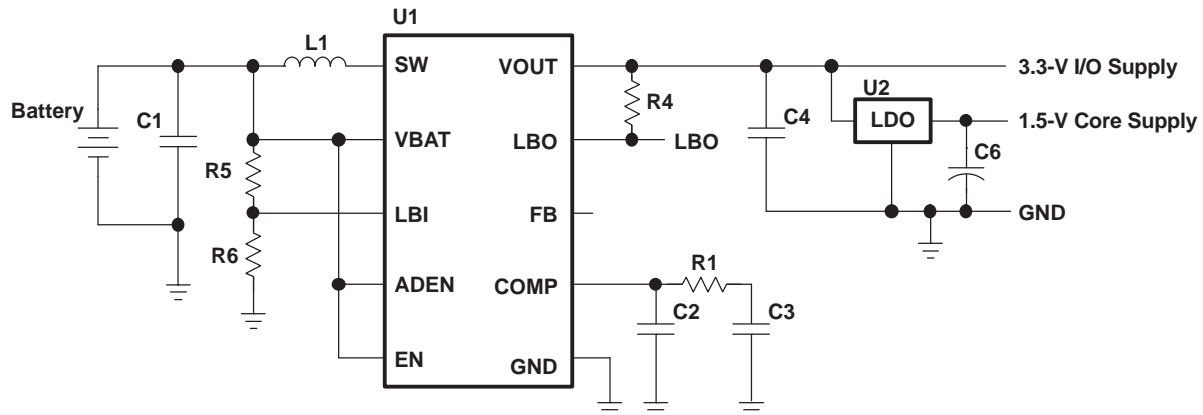


Figure 27. 250-mA Power Supply With Two Battery Cell Input

10.2.3 Dual Output Voltage Power Supply for DSPs

TPS6101x application schematic with 3.3V_{out} of I/O supply and post LDO 1.5V_{out} of DSP core supply.



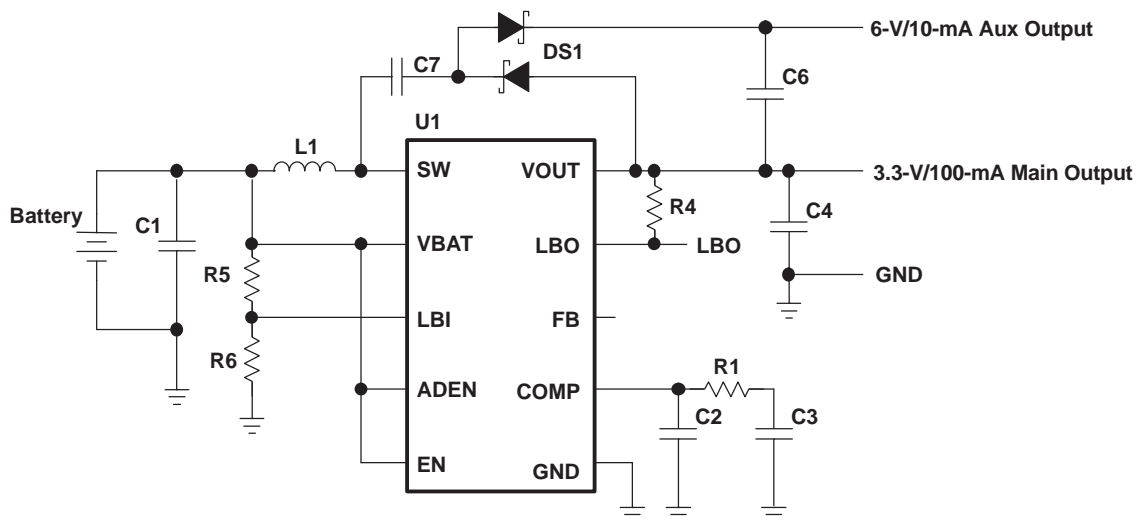
List of Components:

U1	TPS61016
U2	TPS76915
C1	10 µF X5R Ceramic, TDK C3216X5R0J106
C4	22 µF X5R Ceramic, TDK C3225X5R0J226
L1	10 µH SUMIDA CDRH6D38

Figure 28. Dual Output Voltage Power Supply for DSPs

10.2.4 Power Supply With Auxiliary Positive Output Voltage

TPS6101x application schematic of 3.3V_{out} and 6V_{out} with charge pump.



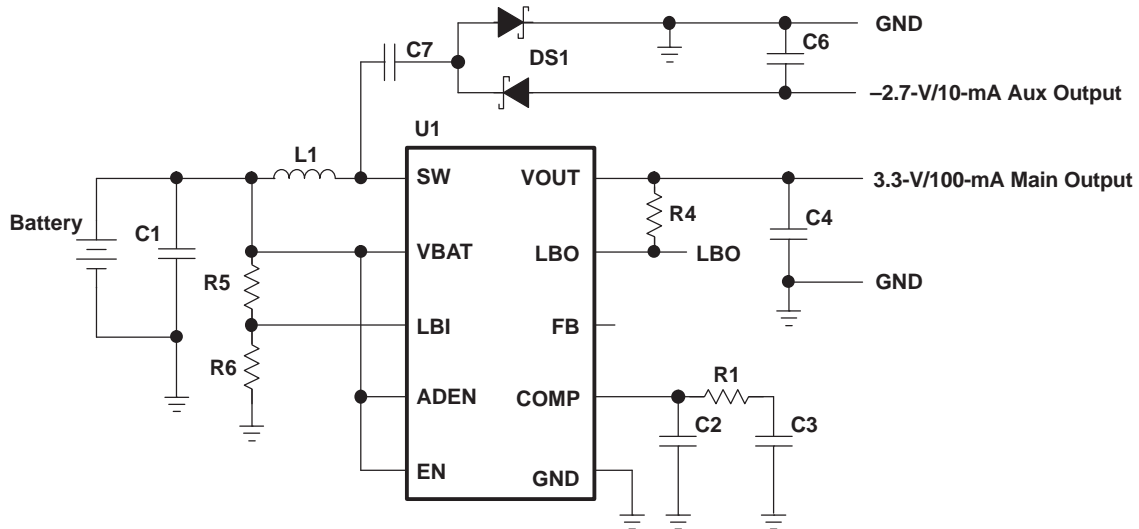
List of Components:

U1	TPS61016
DS1	BAT54S
C1	10 µF X5R Ceramic, TDK C3216X5R0J106
C4	22 µF X5R Ceramic, TDK C3225X5R0J226,
C6	1 µF X5R Ceramic,
C7	0.1 µF X5R Ceramic,
L1	10 µH SUMIDA CDRH6D38–100

Figure 29. Power Supply With Auxiliary Positive Output Voltage

10.2.5 Power Supply With Auxiliary Negative Output Voltage

TPS6101x application schematic of 3.3V_{out} and -2.7V_{out} with charge pump.



List of Components:

U1	TPS61016
DS1	BAT54S
C1	10 μF X5R Ceramic, TDK C3216X5R0J106
C4	22 μF X5R Ceramic, TDK C3225X5R0J226,
C6	1 μF X5R Ceramic,
C7	0.1 μF X5R Ceramic,
L1	10 μH SUMIDA CDRH6D38–100

Figure 30. Power Supply With Auxiliary Negative Output Voltage

10.2.6 TPS6101x EVM Circuit Diagram

TPS6101x application schematic of the standard EVM configuration.

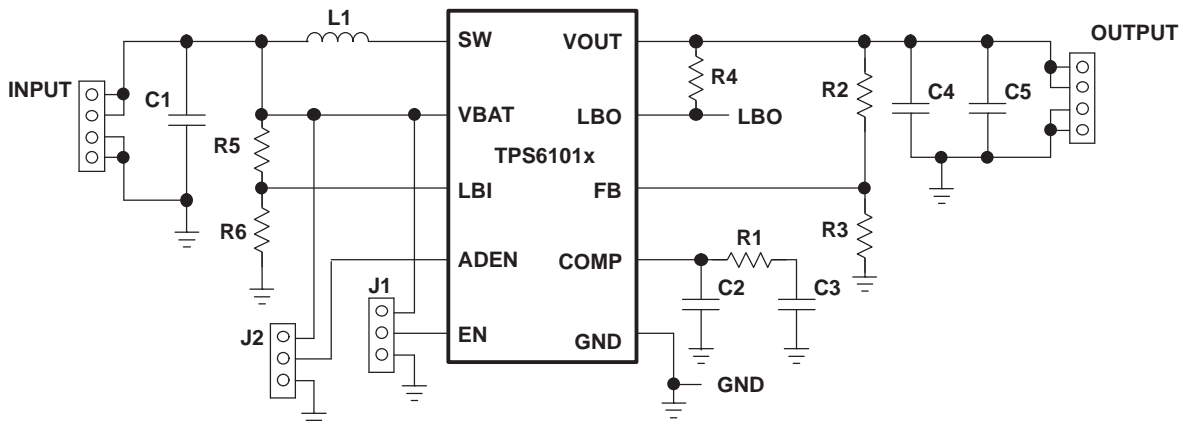


Figure 31. TPS6101x EVM Circuit Diagram

11 Power Supply Recommendations

The device is designed to operate from an input voltage supply range between 0.9 V and 3.3 V. This input supply must be well regulated. If the input supply is located more than a few inches from the converter, additional bulk capacitance may be required in addition to the ceramic bypass capacitors. An electrolytic or tantalum capacitor with a value of 47 μF is a typical choice.

12 Layout

12.1 Layout Guidelines

As for all switching power supplies, the layout is an important step in the design, especially at high peak currents and high switching frequencies. If the layout is not carefully done, the regulator could show stability problems as well as EMI problems.

Therefore, use wide and short traces for the main current path as indicated in **bold** in Figure 32. The input capacitor, output capacitor, and the inductor should be placed as close as possible to the IC. Use a common ground node as shown in Figure 32 to minimize the effects of ground noise. The compensation circuit and the feedback divider should be placed as close as possible to the IC. To layout the control ground, it is recommended to use short traces as well, separated from the power ground traces. Connect both grounds close to the ground pin of the IC as indicated in the layout diagram in Figure 32. This avoids ground shift problems, which can occur due to superimposition of power ground current and control ground current.

12.2 Layout Example

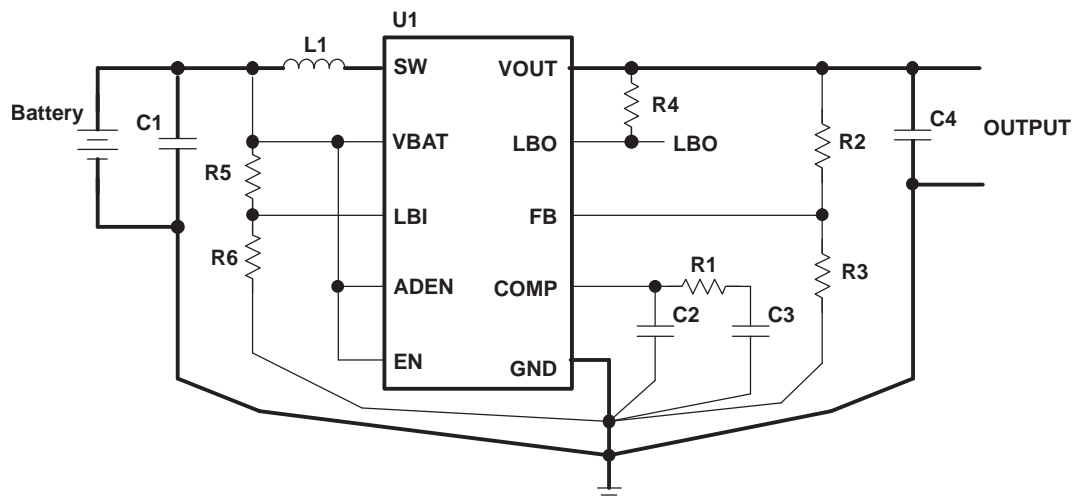


Figure 32. Layout Diagram

Layout Example (continued)

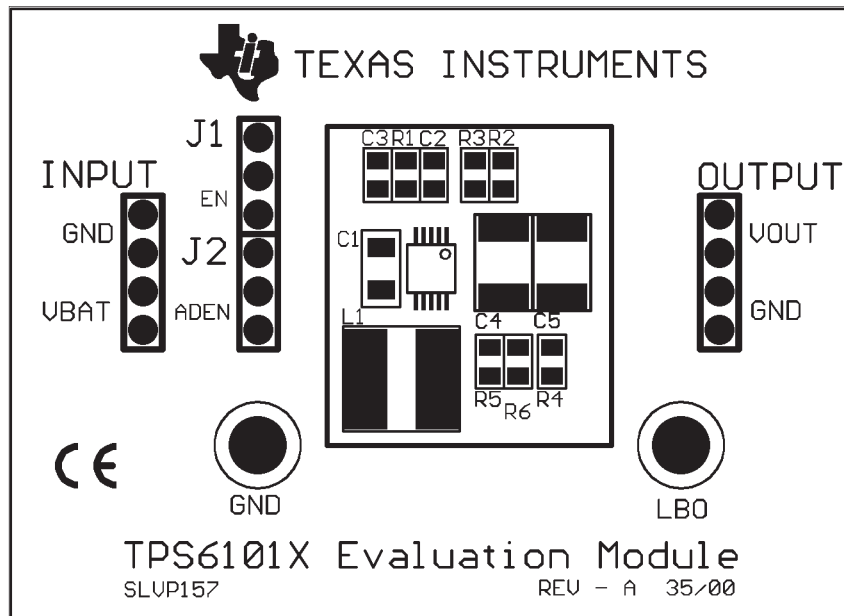


Figure 33. TPS6101x EVM Component Placement (Actual Size: 55.9 mm x 40.6 mm)

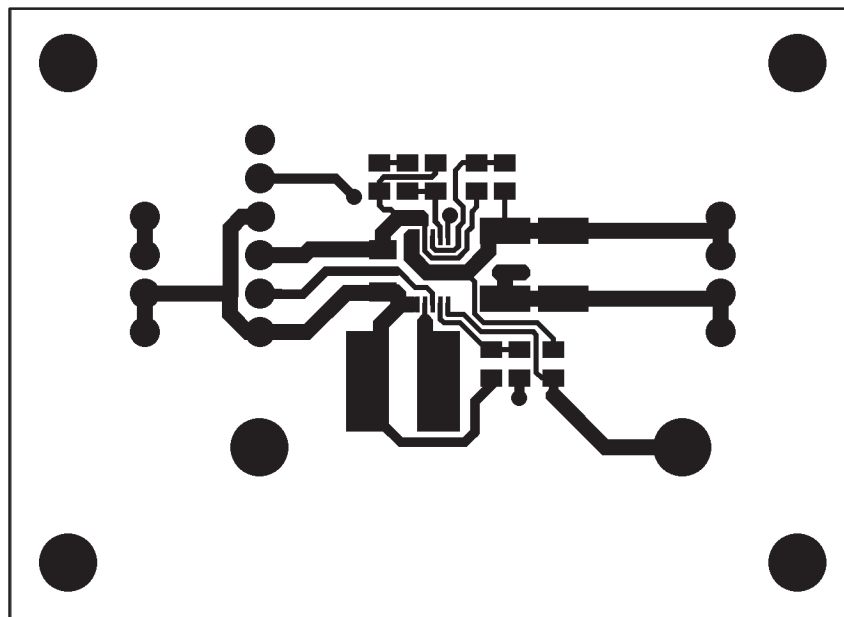


Figure 34. TPS6101x EVM Top Layer Layout (Actual Size: 55.9 mm x 40.6 mm)

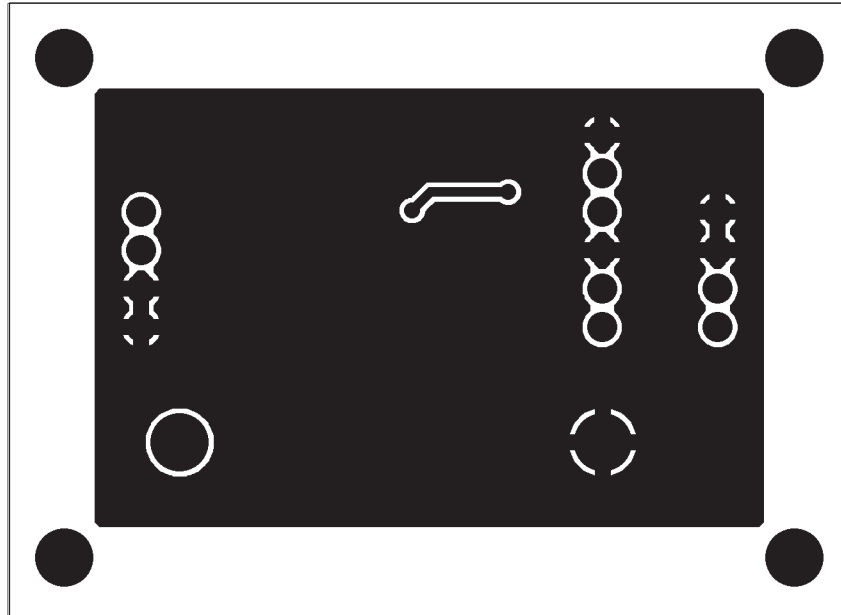
Layout Example (continued)


Figure 35. TPS6101x EVM Bottom Layer Layout (Actual Size: 55.9 mm x 40.6 mm)

12.3 Thermal Considerations

Implementation of integrated circuits in low-profile and fine-pitch surface-mount packages typically requires special attention to power dissipation. Many system-dependent issues such as thermal coupling, airflow, added heat sinks and convection surfaces, and the presence of other heat-generating components affect the power-dissipation limits of a given component.

Three basic approaches for enhancing thermal performance are:

- Improving the power dissipation capability of the PWB design
- Improving the thermal coupling of the component to the PWB
- Introducing airflow in the system

The maximum junction temperature (T_J) of the TPS6101x devices is 125°C. The thermal resistance of the 10-pin MSOP package (DGS) is $R_{\theta JA} = 161.8^\circ\text{C/W}$. Specified regulator operation is assured to a maximum ambient temperature (T_A) of 85°C. Therefore, the maximum power dissipation is about 247 mW. More power can be dissipated if the maximum ambient temperature of the application is lower.

$$P_{D(\text{MAX})} = \frac{T_{J(\text{MAX})} - T_A}{R_{\theta JA}} = \frac{125^\circ\text{C} - 85^\circ\text{C}}{161.8^\circ\text{C/W}} = 247 \text{ mW} \quad (8)$$

13 Device and Documentation Support

13.1 Device Support

13.1.1 Third-Party Products Disclaimer

TI'S PUBLICATION OF INFORMATION REGARDING THIRD-PARTY PRODUCTS OR SERVICES DOES NOT CONSTITUTE AN ENDORSEMENT REGARDING THE SUITABILITY OF SUCH PRODUCTS OR SERVICES OR A WARRANTY, REPRESENTATION OR ENDORSEMENT OF SUCH PRODUCTS OR SERVICES, EITHER ALONE OR IN COMBINATION WITH ANY TI PRODUCT OR SERVICE.

13.2 Related Links

The table below lists quick access links. Categories include technical documents, support and community resources, tools and software, and quick access to sample or buy.

Table 5. Related Links

PARTS	PRODUCT FOLDER	SAMPLE & BUY	TECHNICAL DOCUMENTS	TOOLS & SOFTWARE	SUPPORT & COMMUNITY
TPS61010	Click here	Click here	Click here	Click here	Click here
TPS61011	Click here	Click here	Click here	Click here	Click here
TPS61012	Click here	Click here	Click here	Click here	Click here
TPS61013	Click here	Click here	Click here	Click here	Click here
TPS61014	Click here	Click here	Click here	Click here	Click here
TPS61015	Click here	Click here	Click here	Click here	Click here
TPS61016	Click here	Click here	Click here	Click here	Click here

13.3 Community Resources

The following links connect to TI community resources. Linked contents are provided "AS IS" by the respective contributors. They do not constitute TI specifications and do not necessarily reflect TI's views; see TI's [Terms of Use](#).

TI E2E™ Online Community *TI's Engineer-to-Engineer (E2E) Community*. Created to foster collaboration among engineers. At e2e.ti.com, you can ask questions, share knowledge, explore ideas and help solve problems with fellow engineers.

Design Support *TI's Design Support* Quickly find helpful E2E forums along with design support tools and contact information for technical support.

13.4 Trademarks

E2E is a trademark of Texas Instruments. All other trademarks are the property of their respective owners.

13.5 Electrostatic Discharge Caution



These devices have limited built-in ESD protection. The leads should be shorted together or the device placed in conductive foam during storage or handling to prevent electrostatic damage to the MOS gates.

13.6 Glossary

[SLYZ022](#) — *TI Glossary*.

This glossary lists and explains terms, acronyms, and definitions.

14 Mechanical, Packaging, and Orderable Information

The following pages include mechanical, packaging, and orderable information. This information is the most current data available for the designated devices. This data is subject to change without notice and revision of this document. For browser-based versions of this data sheet, refer to the left-hand navigation.

PACKAGING INFORMATION

Orderable Device	Status (1)	Package Type	Package Drawing	Pins	Package Qty	Eco Plan (2)	Lead/Ball Finish (6)	MSL Peak Temp (3)	Op Temp (°C)	Device Marking (4/5)	Samples
TPS61010DGS	ACTIVE	VSSOP	DGS	10	80	Green (RoHS & no Sb/Br)	NIPDAU NIPDAUAG	Level-1-260C-UNLIM	-40 to 85	AIP	Samples
TPS61010DGSR	ACTIVE	VSSOP	DGS	10	2500	Green (RoHS & no Sb/Br)	NIPDAU NIPDAUAG	Level-1-260C-UNLIM	-40 to 85	AIP	Samples
TPS61010DGSRG4	ACTIVE	VSSOP	DGS	10	2500	Green (RoHS & no Sb/Br)	NIPDAUAG	Level-1-260C-UNLIM	-40 to 85	AIP	Samples
TPS61012DGS	ACTIVE	VSSOP	DGS	10	80	Green (RoHS & no Sb/Br)	NIPDAU NIPDAUAG	Level-1-260C-UNLIM	-40 to 85	AIR	Samples
TPS61012DGSG4	ACTIVE	VSSOP	DGS	10	80	Green (RoHS & no Sb/Br)	NIPDAUAG	Level-1-260C-UNLIM	-40 to 85	AIR	Samples
TPS61013DGS	ACTIVE	VSSOP	DGS	10	80	Green (RoHS & no Sb/Br)	NIPDAUAG	Level-1-260C-UNLIM	-40 to 85	AIS	Samples
TPS61014DGS	ACTIVE	VSSOP	DGS	10	80	Green (RoHS & no Sb/Br)	NIPDAUAG	Level-1-260C-UNLIM	-40 to 85	AIT	Samples
TPS61015DGS	ACTIVE	VSSOP	DGS	10	80	Green (RoHS & no Sb/Br)	NIPDAUAG	Level-1-260C-UNLIM	-40 to 85	AIU	Samples
TPS61015DGSR	ACTIVE	VSSOP	DGS	10	2500	Green (RoHS & no Sb/Br)	NIPDAUAG	Level-1-260C-UNLIM	-40 to 85	AIU	Samples
TPS61016DGS	ACTIVE	VSSOP	DGS	10	80	Green (RoHS & no Sb/Br)	NIPDAUAG	Level-1-260C-UNLIM	-40 to 85	AIV	Samples
TPS61016DGSR	ACTIVE	VSSOP	DGS	10	2500	Green (RoHS & no Sb/Br)	NIPDAUAG	Level-1-260C-UNLIM	-40 to 85	AIV	Samples
TPS61016DGSRG4	ACTIVE	VSSOP	DGS	10	2500	Green (RoHS & no Sb/Br)	NIPDAUAG	Level-1-260C-UNLIM	-40 to 85	AIV	Samples

(1) The marketing status values are defined as follows:

ACTIVE: Product device recommended for new designs.

LIFEBUY: TI has announced that the device will be discontinued, and a lifetime-buy period is in effect.

NRND: Not recommended for new designs. Device is in production to support existing customers, but TI does not recommend using this part in a new design.

PREVIEW: Device has been announced but is not in production. Samples may or may not be available.

OBSOLETE: TI has discontinued the production of the device.

(2) **RoHS:** TI defines "RoHS" to mean semiconductor products that are compliant with the current EU RoHS requirements for all 10 RoHS substances, including the requirement that RoHS substance do not exceed 0.1% by weight in homogeneous materials. Where designed to be soldered at high temperatures, "RoHS" products are suitable for use in specified lead-free processes. TI may reference these types of products as "Pb-Free".

RoHS Exempt: TI defines "RoHS Exempt" to mean products that contain lead but are compliant with EU RoHS pursuant to a specific EU RoHS exemption.

Green: TI defines "Green" to mean the content of Chlorine (Cl) and Bromine (Br) based flame retardants meet JS709B low halogen requirements of ≤ 1000 ppm threshold. Antimony trioxide based flame retardants must also meet the ≤ 1000 ppm threshold requirement.

(3) MSL, Peak Temp. - The Moisture Sensitivity Level rating according to the JEDEC industry standard classifications, and peak solder temperature.

(4) There may be additional marking, which relates to the logo, the lot trace code information, or the environmental category on the device.

(5) Multiple Device Markings will be inside parentheses. Only one Device Marking contained in parentheses and separated by a "~" will appear on a device. If a line is indented then it is a continuation of the previous line and the two combined represent the entire Device Marking for that device.

(6) Lead/Ball Finish - Orderable Devices may have multiple material finish options. Finish options are separated by a vertical ruled line. Lead/Ball Finish values may wrap to two lines if the finish value exceeds the maximum column width.

Important Information and Disclaimer: The information provided on this page represents TI's knowledge and belief as of the date that it is provided. TI bases its knowledge and belief on information provided by third parties, and makes no representation or warranty as to the accuracy of such information. Efforts are underway to better integrate information from third parties. TI has taken and continues to take reasonable steps to provide representative and accurate information but may not have conducted destructive testing or chemical analysis on incoming materials and chemicals. TI and TI suppliers consider certain information to be proprietary, and thus CAS numbers and other limited information may not be available for release.

In no event shall TI's liability arising out of such information exceed the total purchase price of the TI part(s) at issue in this document sold by TI to Customer on an annual basis.

TAPE AND REEL INFORMATION



QUADRANT ASSIGNMENTS FOR PIN 1 ORIENTATION IN TAPE



*All dimensions are nominal

Device	Package Type	Package Drawing	Pins	SPQ	Reel Diameter (mm)	Reel Width W1 (mm)	A0 (mm)	B0 (mm)	K0 (mm)	P1 (mm)	W (mm)	Pin1 Quadrant
TPS61010DGSR	VSSOP	DGS	10	2500	330.0	12.4	5.3	3.4	1.4	8.0	12.0	Q1
TPS61010DGSR	VSSOP	DGS	10	2500	330.0	12.4	5.3	3.4	1.4	8.0	12.0	Q1
TPS61015DGSR	VSSOP	DGS	10	2500	330.0	12.4	5.3	3.4	1.4	8.0	12.0	Q1
TPS61016DGSR	VSSOP	DGS	10	2500	330.0	12.4	5.3	3.4	1.4	8.0	12.0	Q1

TAPE AND REEL BOX DIMENSIONS


*All dimensions are nominal

Device	Package Type	Package Drawing	Pins	SPQ	Length (mm)	Width (mm)	Height (mm)
TPS61010DGSR	VSSOP	DGS	10	2500	358.0	335.0	35.0
TPS61010DGSR	VSSOP	DGS	10	2500	364.0	364.0	27.0
TPS61015DGSR	VSSOP	DGS	10	2500	364.0	364.0	27.0
TPS61016DGSR	VSSOP	DGS	10	2500	364.0	364.0	27.0

DGS0010A



PACKAGE OUTLINE

VSSOP - 1.1 mm max height

SMALL OUTLINE PACKAGE



4221984/A 05/2015

NOTES:

1. All linear dimensions are in millimeters. Any dimensions in parenthesis are for reference only. Dimensioning and tolerancing per ASME Y14.5M.
2. This drawing is subject to change without notice.
3. This dimension does not include mold flash, protrusions, or gate burrs. Mold flash, protrusions, or gate burrs shall not exceed 0.15 mm per side.
4. This dimension does not include interlead flash. Interlead flash shall not exceed 0.25 mm per side.
5. Reference JEDEC registration MO-187, variation BA.

EXAMPLE BOARD LAYOUT

DGS0010A

VSSOP - 1.1 mm max height

SMALL OUTLINE PACKAGE



LAND PATTERN EXAMPLE
SCALE:10X



SOLDER MASK DETAILS
NOT TO SCALE

4221984/A 05/2015

NOTES: (continued)

- 6. Publication IPC-7351 may have alternate designs.
- 7. Solder mask tolerances between and around signal pads can vary based on board fabrication site.

EXAMPLE STENCIL DESIGN

DGS0010A

VSSOP - 1.1 mm max height

SMALL OUTLINE PACKAGE



SOLDER PASTE EXAMPLE
BASED ON 0.125 mm THICK STENCIL
SCALE:10X

4221984/A 05/2015

NOTES: (continued)

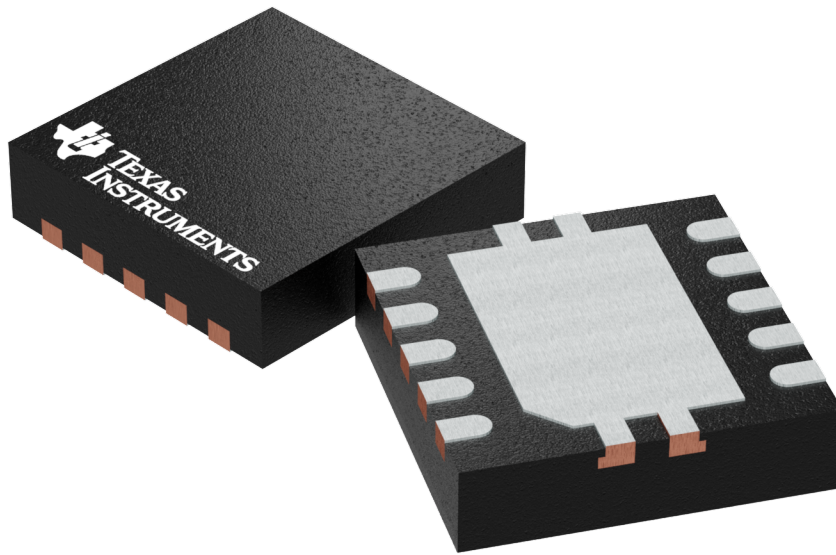
8. Laser cutting apertures with trapezoidal walls and rounded corners may offer better paste release. IPC-7525 may have alternate design recommendations.
9. Board assembly site may have different recommendations for stencil design.

GENERIC PACKAGE VIEW

DRC 10

VSON - 1 mm max height

PLASTIC SMALL OUTLINE - NO LEAD



Images above are just a representation of the package family, actual package may vary.
Refer to the product data sheet for package details.

4204102-3/M

IMPORTANT NOTICE AND DISCLAIMER

TI PROVIDES TECHNICAL AND RELIABILITY DATA (INCLUDING DATASHEETS), DESIGN RESOURCES (INCLUDING REFERENCE DESIGNS), APPLICATION OR OTHER DESIGN ADVICE, WEB TOOLS, SAFETY INFORMATION, AND OTHER RESOURCES "AS IS" AND WITH ALL FAULTS, AND DISCLAIMS ALL WARRANTIES, EXPRESS AND IMPLIED, INCLUDING WITHOUT LIMITATION ANY IMPLIED WARRANTIES OF MERCHANTABILITY, FITNESS FOR A PARTICULAR PURPOSE OR NON-INFRINGEMENT OF THIRD PARTY INTELLECTUAL PROPERTY RIGHTS.

These resources are intended for skilled developers designing with TI products. You are solely responsible for (1) selecting the appropriate TI products for your application, (2) designing, validating and testing your application, and (3) ensuring your application meets applicable standards, and any other safety, security, or other requirements. These resources are subject to change without notice. TI grants you permission to use these resources only for development of an application that uses the TI products described in the resource. Other reproduction and display of these resources is prohibited. No license is granted to any other TI intellectual property right or to any third party intellectual property right. TI disclaims responsibility for, and you will fully indemnify TI and its representatives against, any claims, damages, costs, losses, and liabilities arising out of your use of these resources.

TI's products are provided subject to TI's Terms of Sale (www.ti.com/legal/termsofsale.html) or other applicable terms available either on ti.com or provided in conjunction with such TI products. TI's provision of these resources does not expand or otherwise alter TI's applicable warranties or warranty disclaimers for TI products.

Mailing Address: Texas Instruments, Post Office Box 655303, Dallas, Texas 75265
Copyright © 2020, Texas Instruments Incorporated