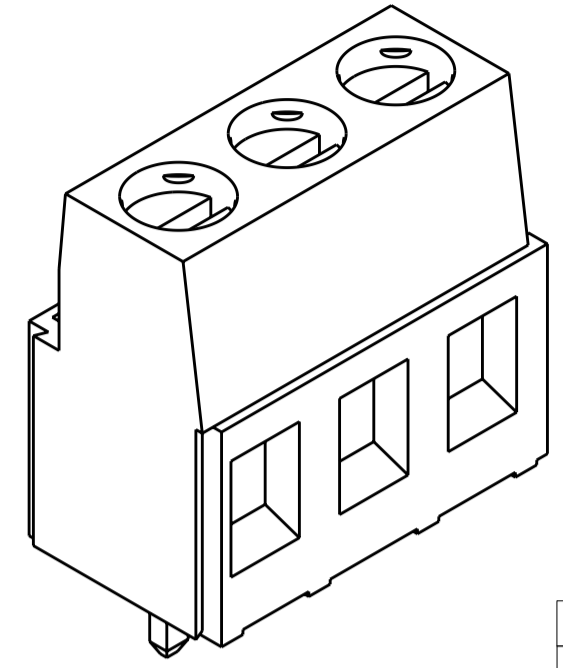
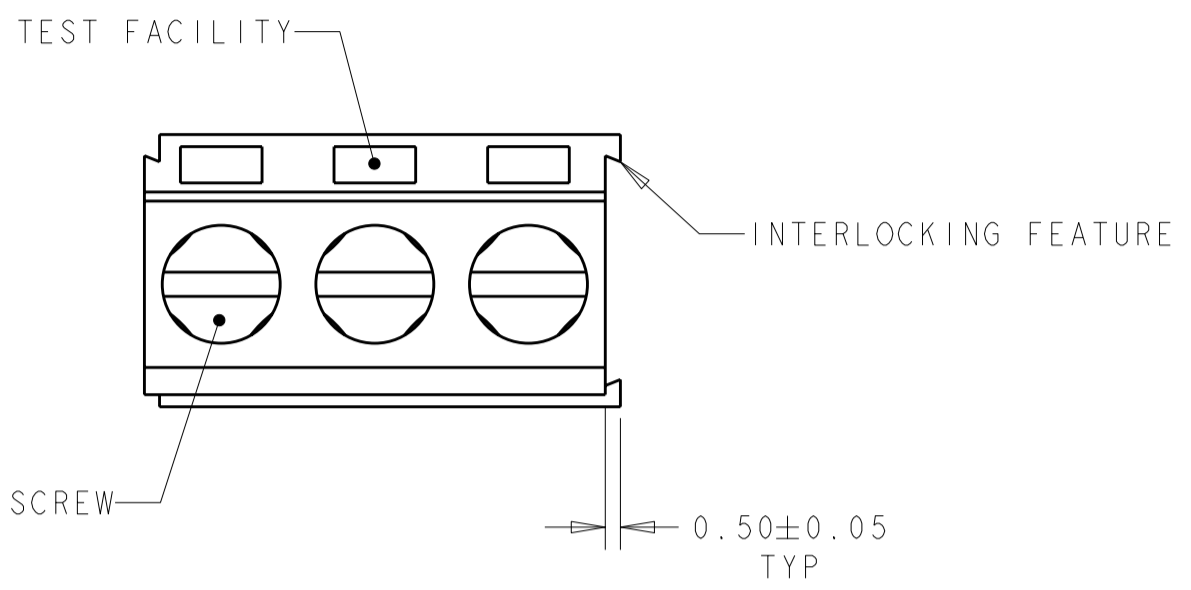


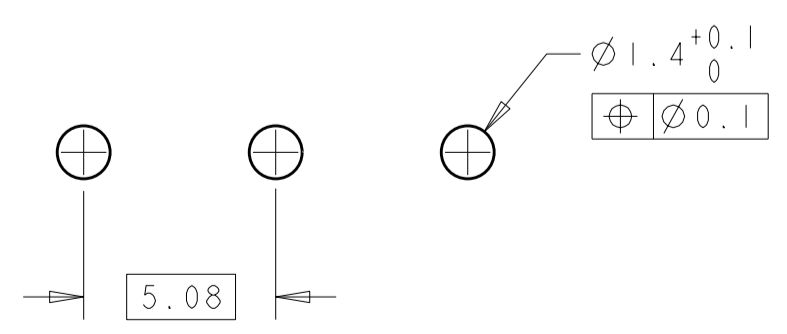
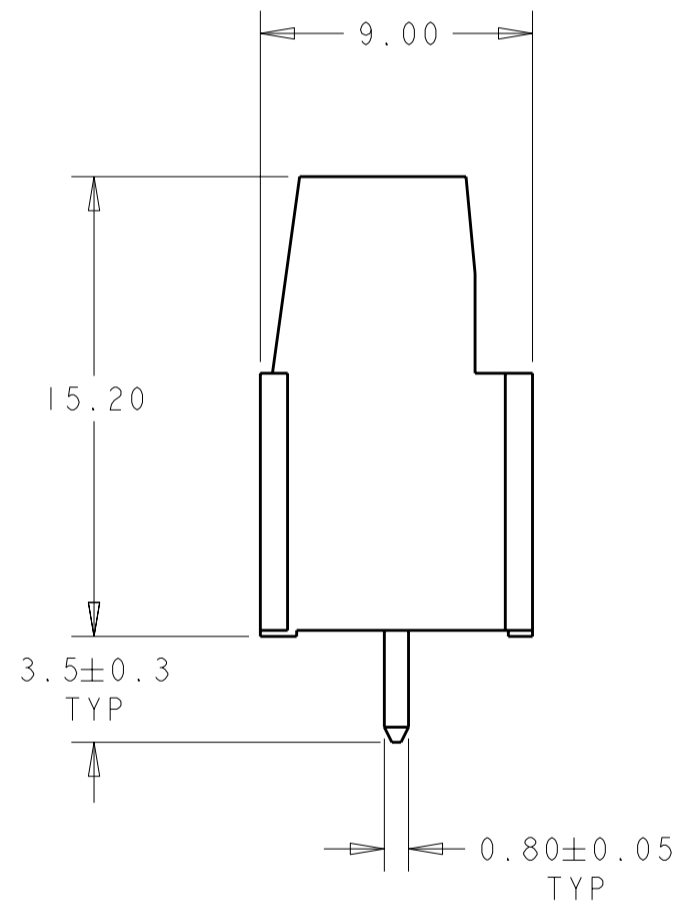
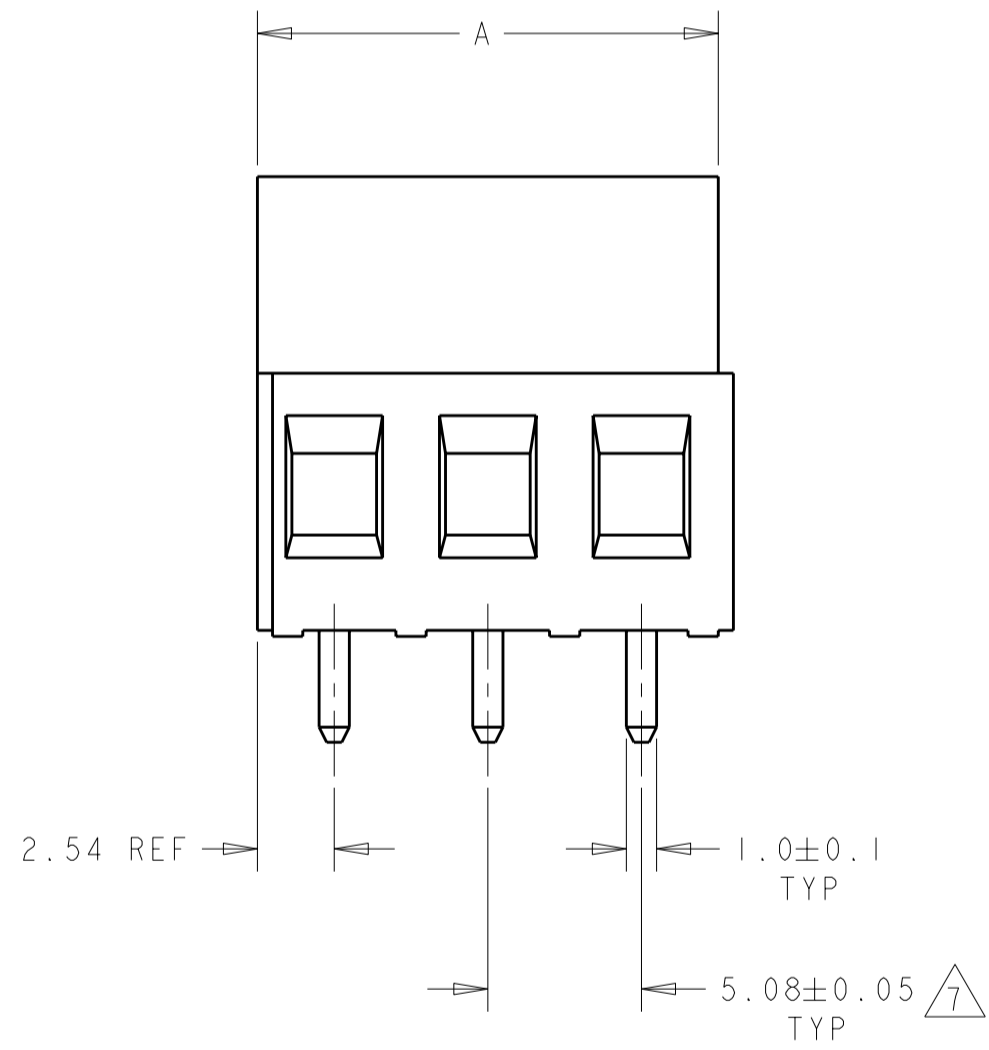
THIS DRAWING IS UNPUBLISHED. RELEASED FOR PUBLICATION 20  
 © COPYRIGHT 20 BY - ALL RIGHTS RESERVED.

LOC		DIST		REVISIONS			
P	LTR	DESCRIPTION	DATE	DWN	APVD		
	H6	REVISED PER ECO-11-005027	14MAR2011	RK	HMR		



282841-3 AS SHOWN  
PRELIMINARY

DETAIL	DESCRIPTION	MATERIAL	FINISH	WEIGHT	NO. OF POSN	PART NUMBER
PRELIMINARY				SEE SHEET 2	GREEN	15.24 3 4-282841-0
DETAIL C	PRELIMINARY	-	-	-	GREEN	25.40 5 3-282841-9
DETAIL B	PRELIMINARY	-	-	-	GREEN	20.32 4 3-282841-8
PRELIMINARY		STAINLESS STEEL	-	-	GREEN	40.64 8 3-282841-7
PRELIMINARY		STAINLESS STEEL	-	-	GREEN	20.32 4 3-282841-6
PRELIMINARY		STAINLESS STEEL	-	-	GREEN	15.24 3 3-282841-5
PRELIMINARY		STAINLESS STEEL	-	-	GREEN	10.16 2 3-282841-4
				SEE SHEET 2	GREEN	45.72 9 3-282841-3
				SEE SHEET 2	GREEN	66.04 13 3-282841-2
				SEE SHEET 2	GREEN	20.32 4 3-282841-1
				SEE SHEET 2	GREEN	60.96 12 3-282841-0
				-	BLACK	127.0 25 2-282841-9
				-	GREEN	127.0 25 2-282841-8
				-	GREEN	121.92 24 2-282841-7
				-	GREEN	116.84 23 2-282841-6
				-	GREEN	111.76 22 2-282841-5
				-	GREEN	106.68 21 2-282841-4
				-	GREEN	101.60 20 2-282841-3
				-	GREEN	96.52 19 2-282841-2
				-	GREEN	91.44 18 2-282841-1
				-	GREEN	86.36 17 2-282841-0
				-	GREEN	81.28 16 1-282841-9
				-	GREEN	76.20 15 1-282841-8
				-	GREEN	71.12 14 1-282841-7
				-	GREEN	66.04 13 1-282841-6
				SEE SHEET 2	GREEN	40.64 8 1-282841-5
				SEE SHEET 2	GREEN	35.56 7 1-282841-4
				-	BLACK	35.56 7 1-282841-3
				-	GREEN	60.96 12 1-282841-2
				-	GREEN	55.88 11 1-282841-1
				-	GREEN	50.80 10 1-282841-0
				-	GREEN	45.72 9 282841-9
				-	GREEN	40.64 8 282841-8
				-	GREEN	35.56 7 282841-7
				-	GREEN	30.48 6 282841-6
				-	GREEN	25.40 5 282841-5
				-	GREEN	20.32 4 282841-4
				-	GREEN	15.24 3 282841-3
				-	GREEN	10.16 2 282841-2
				CLAMPING SCREW	MARKING	COLOR A NO OF POSN PART NUMBER

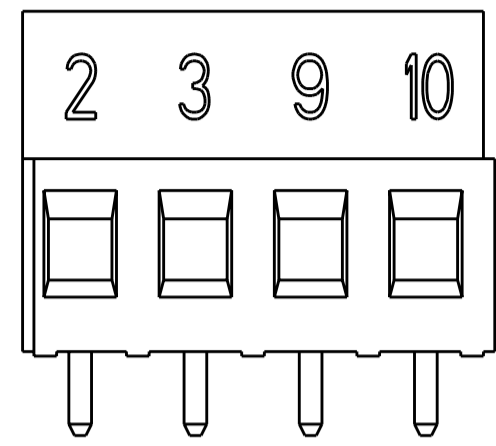


RECOMMENDED PC BOARD LAYOUT  
SCALE 5:1

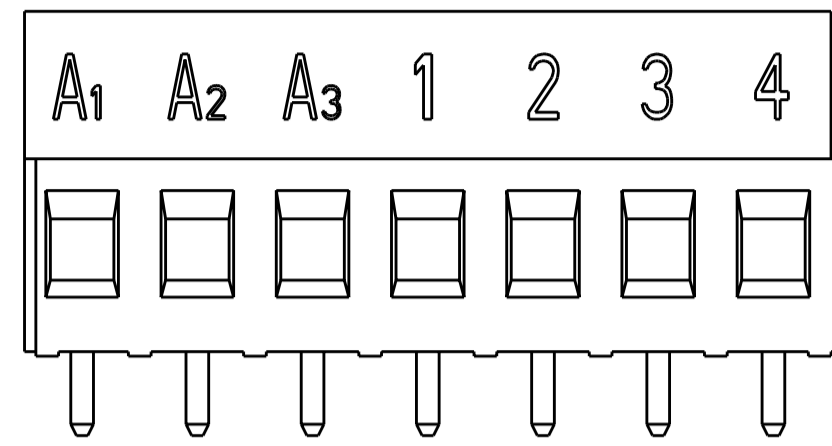
THIS DRAWING IS A CONTROLLED DOCUMENT.		DWN S. WELDON 26 JAN 2001	TE Connectivity NAME: TERMINAL BLOCK PCB MOUNT W/INTERLOCK, 5.08mm PITCH			
DIMENSIONS: mm		CHK D. BIEVENOUR 26 JAN 2001				
TOLERANCES UNLESS OTHERWISE SPECIFIED:		APVD D. BIEVENOUR 26 JAN 2001				
0 PLC ±0 1 PLC ±.3 2 PLC ±.25 3 PLC ±0 4 PLC ±0 ANGLES ±2° FINISH		PRODUCT SPEC - APPLICATION SPEC - WEIGHT -				
MATERIAL			SIZE A2	CAGE CODE 00779	DRAWING NO C-282841	RESTRICTED TO -
CUSTOMER DRAWING			SCALE 4:1	SHEET 1 OF 2	REV H6	

THIS DRAWING IS UNPUBLISHED. RELEASED FOR PUBLICATION 20  
 © COPYRIGHT 20 BY - ALL RIGHTS RESERVED.

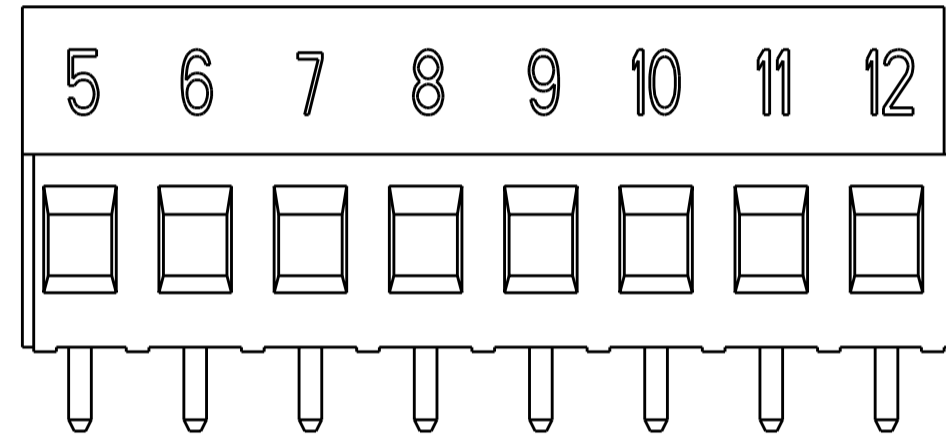
LOC		DIST		REVISIONS			
P	LTR	DESCRIPTION	DATE	DWN	APVD		
-	-	SEE SHEET 1	-	-	-		



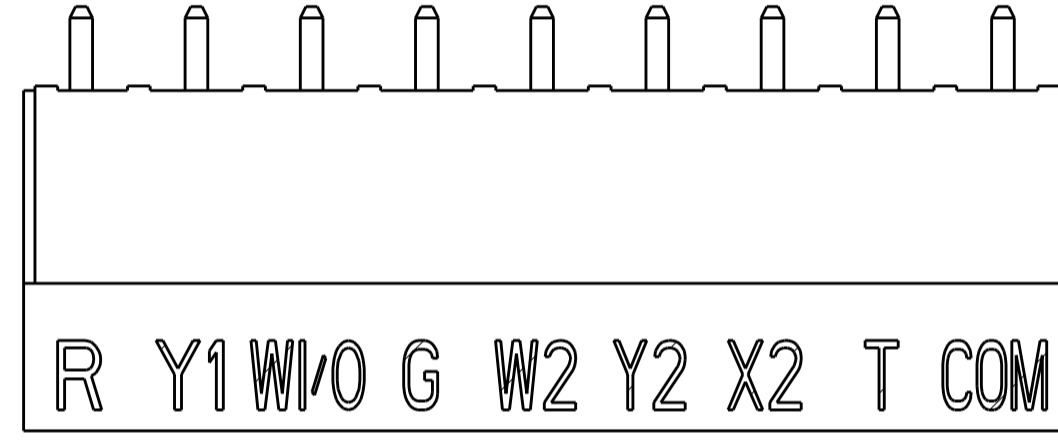
3-282841-1 AS SHOWN  $\triangle 8$



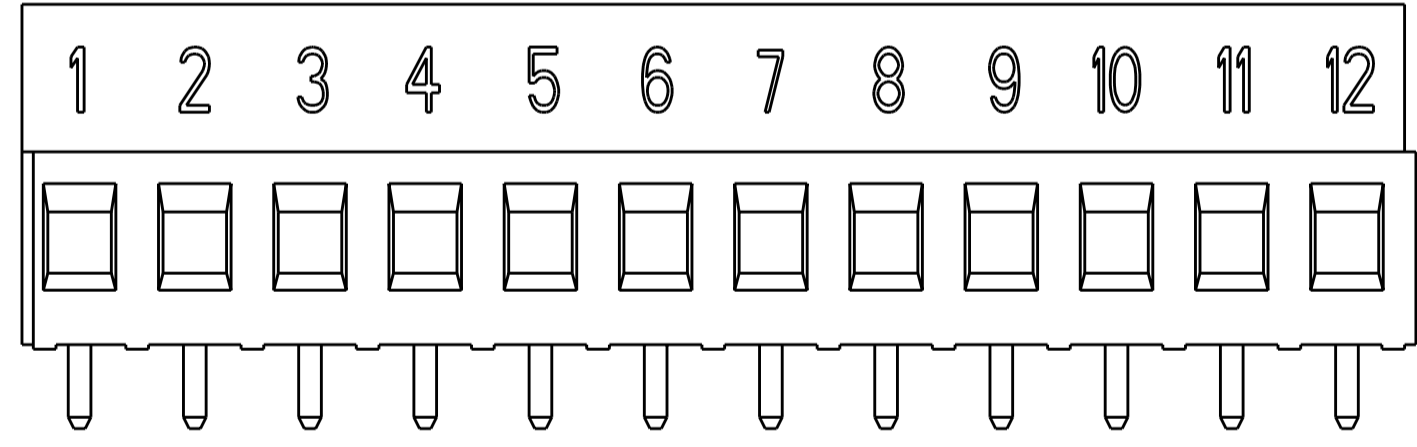
1-282841-4 AS SHOWN  $\triangle 8$



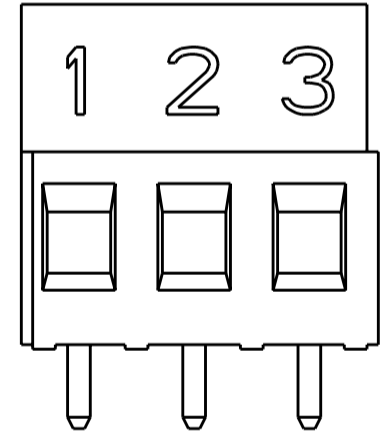
1-282841-5 AS SHOWN  $\triangle 8$



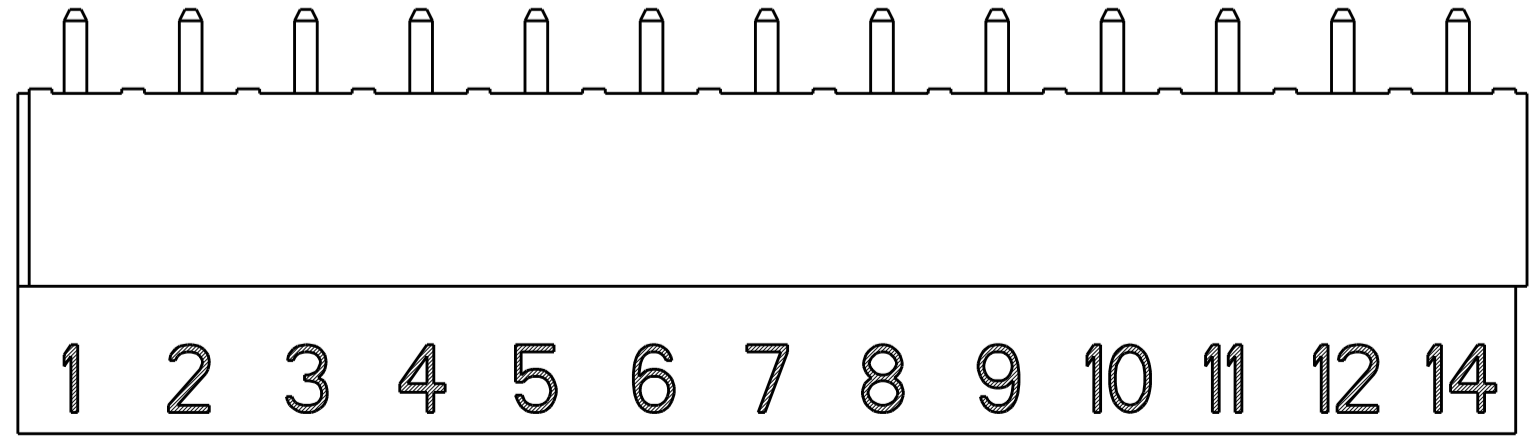
3-282841-3 AS SHOWN  $\triangle 8$



3-282841-0 AS SHOWN  $\triangle 8$

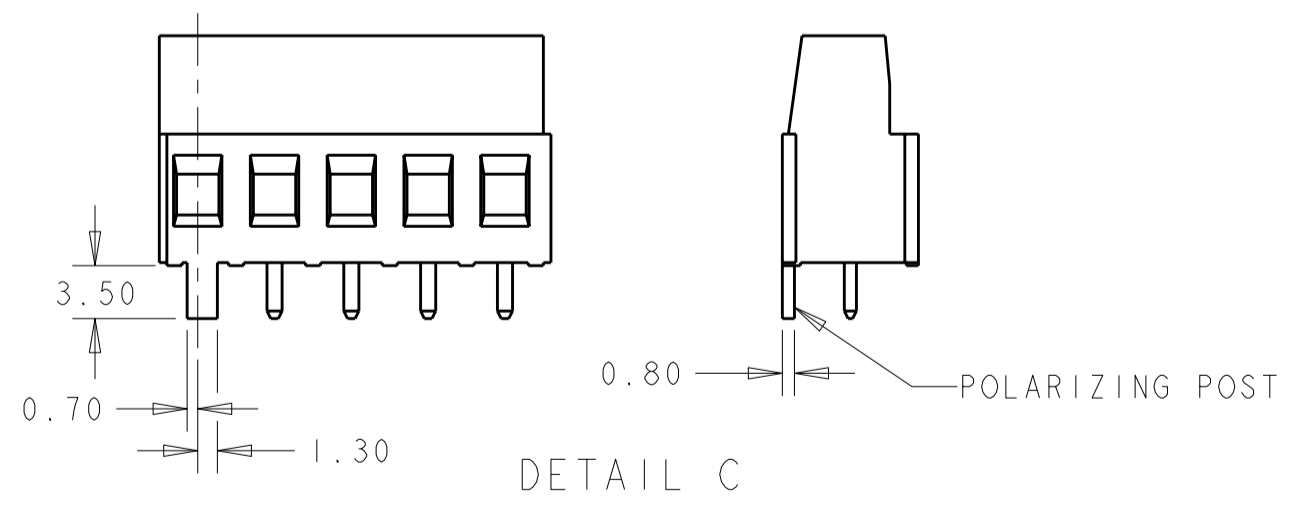
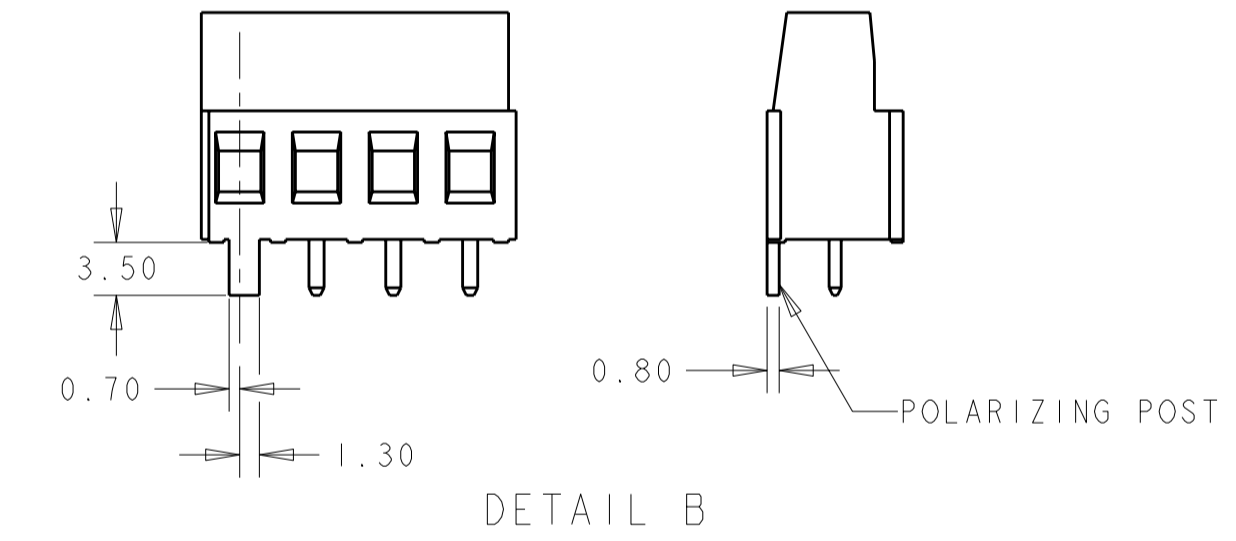


4-282841-0 AS SHOWN  $\triangle 8$



3-282841-2 AS SHOWN  $\triangle 8$

- $\triangle 1$  MATERIALS AND FINISH:  
 HOUSING: PA 6-6, UL 94-V0, COLOR: SEE TABLE.  
 CLAMP: BRASS, NICKEL PLATED.  
 TERMINAL: BRASS, TIN PLATED.  
 CLAMPING SCREW: M3, BRASS, NICKEL PLATED.
2. SUITABLE FOR 1,6-2,4mm. PCB THICKNESS.
3. END-TO-END STACKABLE W/INTERLOCK WITHOUT LOSS OF CENTERLINE SPACING.
4. WIRE SIZE RANGE: 12-30 AWG
5. RECOGNIZED UNDER THE COMPONENT PROGRAM OF UNDERWRITERS LABORATORIES INC. FILE No E60677.
6. IMQ CERTIFICATE WITH SURVEILLANCE IN CONFORMITY WITH IEC 998-1/998-2-1.
- $\triangle 7$  NOT CUMULATIVE TOLERANCE.
- $\triangle 8$  INK MARKING : BLACK COLOR.
9. BUCHANAN LOGO TO APPEAR ON HOUSING, LOCATION OPTIONAL, WHERE SPACE PERMITS.



THIS DRAWING IS A CONTROLLED DOCUMENT.		DWN S. WELDON 26 JAN 2001	TE Connectivity	
DIMENSIONS: mm		CHK D. BIEVENOUR 26 JAN 2001		
TOLERANCES UNLESS OTHERWISE SPECIFIED:		APVD D. BIEVENOUR 26 JAN 2001	NAME	
0 PLC $\pm 0$		PRODUCT SPEC	TERMINAL BLOCK	
1 PLC $\pm 3$		APPLICATION SPEC	PCB MOUNT	
2 PLC $\pm 25$		WEIGHT	W/INTERLOCK, 5.08mm PITCH	
3 PLC $\pm 0$		CUSTOMER DRAWING	SIZE A2	CAGE CODE 00779
4 PLC $\pm 0$		SCALE 3:1	DRAWING NO C-282841	RESTRICTED TO
ANGLES $\pm 2^\circ$		SHEET 2 OF 2	REV. H6	
FINISH				

# Mouser Electronics

Authorized Distributor

Click to View Pricing, Inventory, Delivery & Lifecycle Information:

[TE Connectivity:](#)

[282841-3](#)