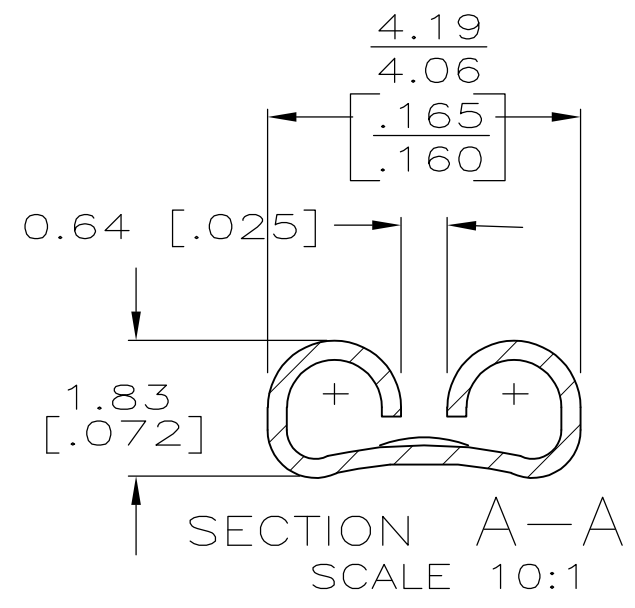
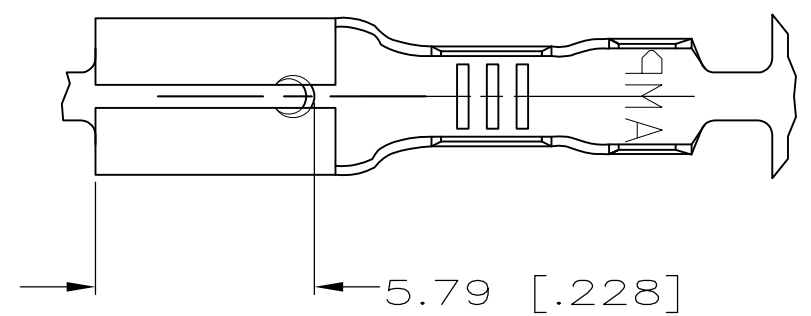
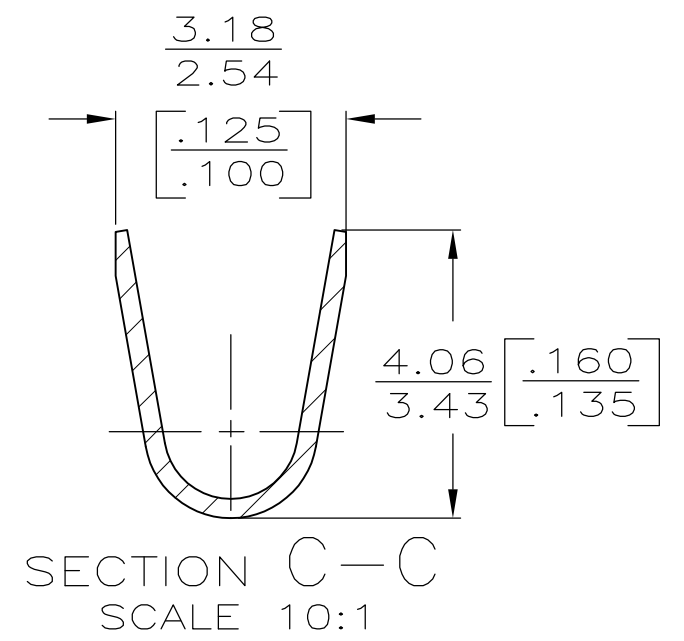
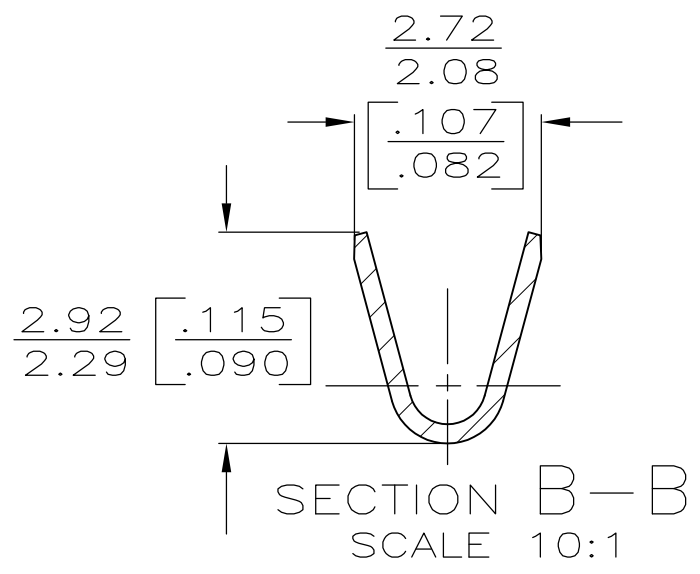
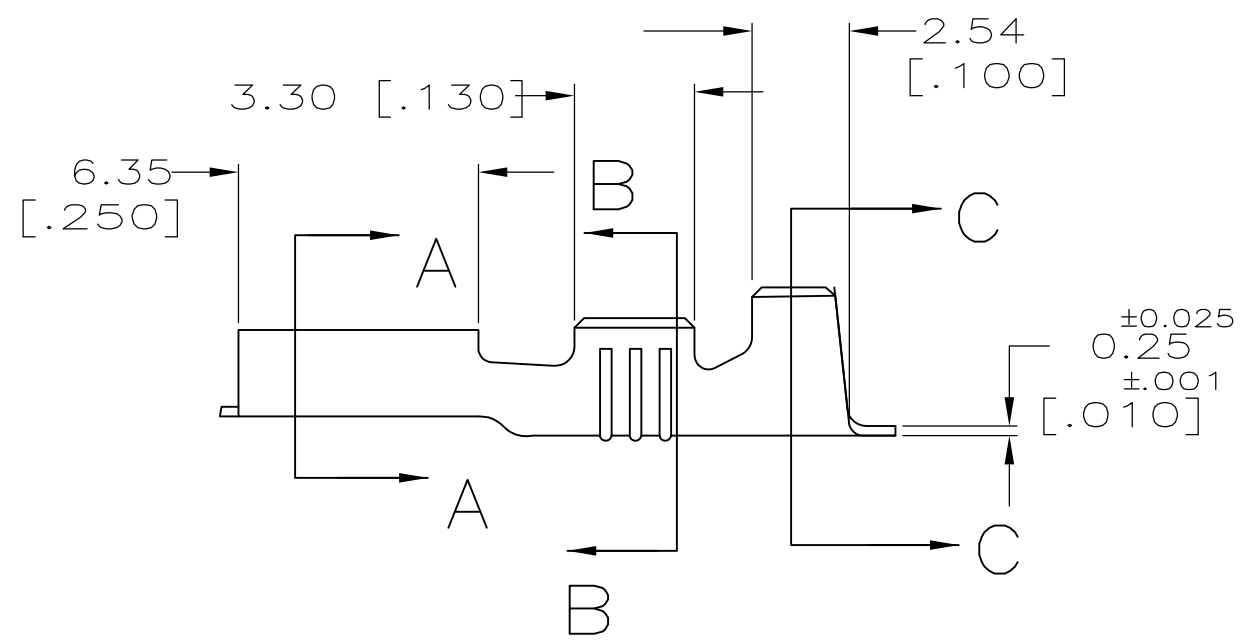


THIS DRAWING IS UNPUBLISHED. RELEASED FOR PUBLICATION  
 © COPYRIGHT - By - ALL RIGHTS RESERVED.

LOC	DIST	REVISIONS			
P	LTR	DESCRIPTION	DATE	DWN	APVD
AF	50	E	REVISED PER ECR-12-013518	23NOV2012	KH PD



- CONTINUOUS STRIP ON REELS
  - WIRE SIZE IS #22-#18 AWG
  - INSULATION RANGE IS 2.29-2.79 [.090-.110] DIA.
  - MATING TAB THK IS 0.51±0.025 [.020±.001].
- ⚠ PRELIMINARY - NOT FOR PRODUCTION



H04 PHOS BRONZE	⚠ 63705-3
BRASS	⚠ 63705-2
BRASS	63705-1
MATERIAL	PART NO.

THIS DRAWING IS A CONTROLLED DOCUMENT.		DWN	JR RUTH	3/31/93	TE Connectivity RECEPTACLE, FASTON, 3.18 [.125] SERIES					
DIMENSIONS: mm [INCHES]		CHK	MS FEHER	3/31/93				NAME		
TOLERANCES UNLESS OTHERWISE SPECIFIED:		APVD	J GILLISPIE	3/31/93				SIZE		
0 PLC ± - 1 PLC ± - 2 PLC ± 0.25 [.010] 3 PLC ± - 4 PLC ± - ANGLES ± -		PRODUCT SPEC		CAGE CODE						
MATERIAL SEE TABLE		FINISH -		WEIGHT -		DRAWING NO				
CUSTOMER DRAWING				A300779		C-63705				
SCALE				5:1		SHEET 1 OF 1				
REV				E		RESTRICTED TO				

# Mouser Electronics

Authorized Distributor

Click to View Pricing, Inventory, Delivery & Lifecycle Information:

[TE Connectivity:](#)

[63705-1](#) [63705-1 \(Mouser Reel\)](#)