



MICRO SWITCH
 FREEPORT ILLINOIS
 A DIVISION OF HONEYWELL
 FED. MFG. CODE 91929

SWITCH - BASIC

CATALOG LISTING

YZ - 2R

AWF2000

FAA-PMA

YZ - 2R

PAGE 1 OF 1

M

DRAWING NUMBER

ISSUE

15

REVISIONS

E	CO-845946	RAG	12MAY97
F	CO93346	DLT	22 SEP 98
G	CO-94212-K	DLT	5 NOV 99
H	0020237	SK	21MAR06
J	PK	13MAY08	0039796

REPLACES

RELEASE NO.

13MAY08

ASD

CHECK

21MAR06

AS

CHECK

26 MAR 03

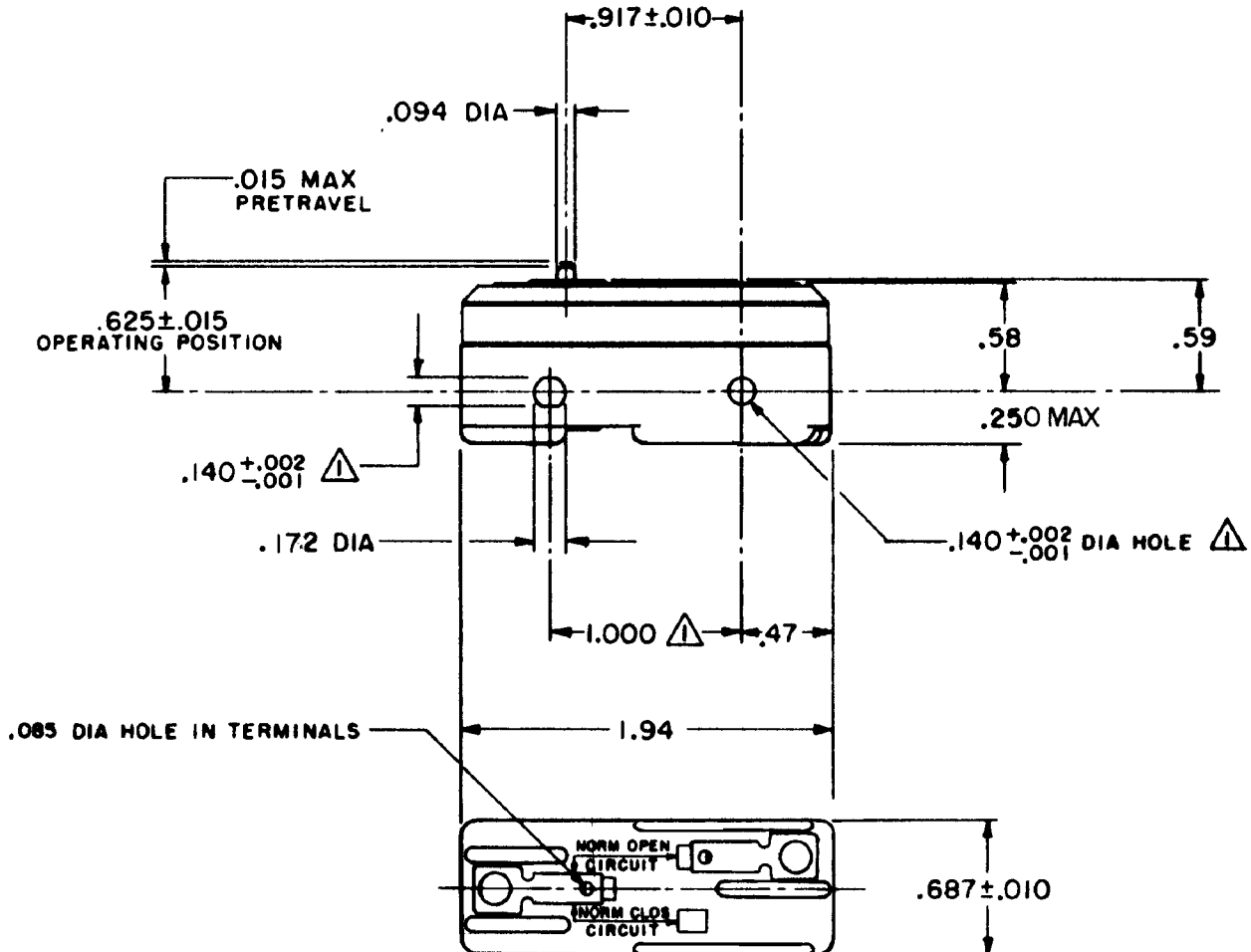
LS D

CHECK

22 MAR 63

GCH

FO-30378 RASTER



NOTE
 ▲ MOUNTING HOLES WILL ACCEPT PINS OR SCREWS OF .139 MAX DIA ON 1.000±.002 CENTERS

THIS DRAWING COVERS A PROPRIETARY ITEM AND IS THE PROPERTY OF MICRO SWITCH, A DIVISION OF MINNEAPOLIS-HONEYWELL REGULATOR CO. THIS DRAWING IS NOT TO BE COPIED OR USED WITHOUT THE APPROVAL OF MICRO SWITCH.

CHARACTERISTICS	ELECTRICAL DATA	SCALE -	
OPERATING FORCE ----- 9-13 OZ	CONTACT ARRANGEMENT S P N O	DO NOT SCALE PRINT	
RELEASE FORCE ----- 4 OZ MIN	-L96- 15 A - 125, 250, OR 480 VAC 1/2 A - 125 VDC; 1/4 A - 250 VDC 1/8 HP - 125 VAC, 1/4 HP - 250 VAC -L288- -L306- -L315-	UNLESS OTHERWISE SPECIFIED DIMENSIONS ARE IN INCHES	
DIFFERENTIAL TRAVEL --- .0004 - .0020			TOLERANCES ARE:
OVERTRAVEL ----- .005 MIN		16A 250V ~ T85 5E4	ONE PLACE (.0) ±.030 TWO PLACE (.00) ±.015 THREE PLACE (.000) ±.005 ANGLES ± -
		WEIGHT .050 LB	

Mouser Electronics

Authorized Distributor

Click to View Pricing, Inventory, Delivery & Lifecycle Information:

[Honeywell:](#)

[YZ-2R](#)