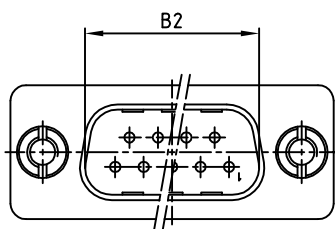
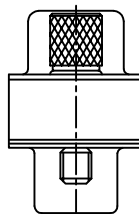
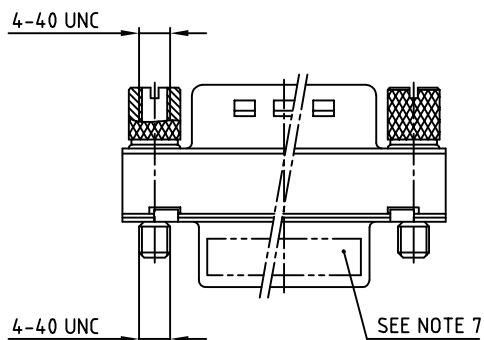
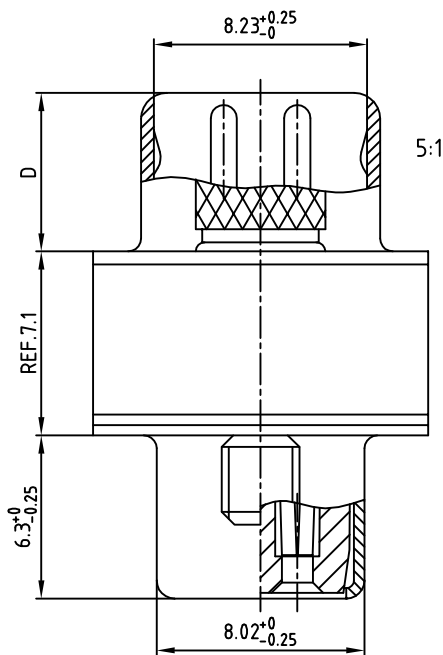
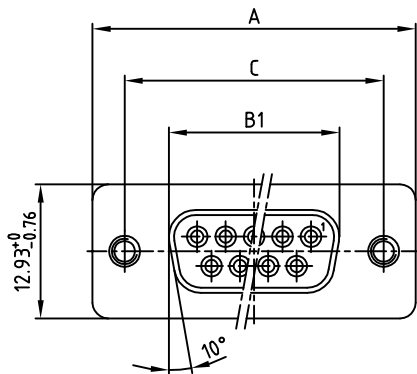


used for: FILTER ADAPTER

POS.	A -0.76	B1 -0.25	B2 $+0.25$	C	D -0.3	PART NO.
9	31.19	16.46	16.79	25.00 $+0.12$ -0.13	6.12	243A10050X
15	39.52	24.79	25.12	33.30 $+0.15$ -0.1	6.12	243A10060X
25	53.42	38.50	38.84	47.04 ± 0.13	5.99	243A10070X
37	69.70	54.96	55.30	63.50 ± 0.13	5.99	243A10080X



NOTES:

1. METAL SHELLS: STEEL; min. 320µm TIN
2. INSULATORS: PBT GF UL 94 V-0, BLACK
3. CONTACTS: COPPER ALLOY
PLATING: 8µm HARD GOLD OVER min. 50µm NICKEL
4. CAPACITANCE: 1300pF ±20%
5. DIELECTRIC WITHSTANDING VOLTAGE: 424 VDC
6. MAXIMUM TORQUE VALUE FOR THREAD: 6 in.LB
7. CONNECTOR IS PART MARKED: PART-NO. CONEC ABC

Directive 2002/95/EC RoHS compliant

APPROVAL # FREIGABE # DEBLOCAGE # AUTORIZACION # APPROVAL CUSTOMER APPROVAL DATE:	APPROVAL # FREIGABE # DEBLOCAGE # AUTORIZACION # APPROVAL NAME: TITLE:
APPROVAL # FREIGABE # DEBLOCAGE # AUTORIZACION # APPROVAL COMPANY NAME:	

THIS DRAWING MAY NOT BE COPIED OR REPRODUCED IN ANY WAY, AND MAY NOT BE PASSED ON TO A THIRD PARTY, WITHOUT WRITTEN PERMISSION. OWNERSHIP AND COPYRIGHT OF CONEC GMBH DO NOT ALTER CAD DRAWING BY HAND

rev.	description	date	name

tolerance		 dim. in mm
2005	date	
drawn	03.08.	name
appd.	03.08.	Mickenbecker
norm		DIN 41652
d-old		

scale:	2:1 (5:1)
material:	SEE NOTES
title:	
D-SUB C-FILTER ADAPTER 9-37pos. PLUG / SOCKET with jack screws	
dwg no:	AutoCAD 2004
24K1A681	
part no:	SEE TABLE
DIN-A 3 sh: 1/1	

Mouser Electronics

Authorized Distributor

Click to View Pricing, Inventory, Delivery & Lifecycle Information:

[CONEC:](#)

[243A10070X](#)