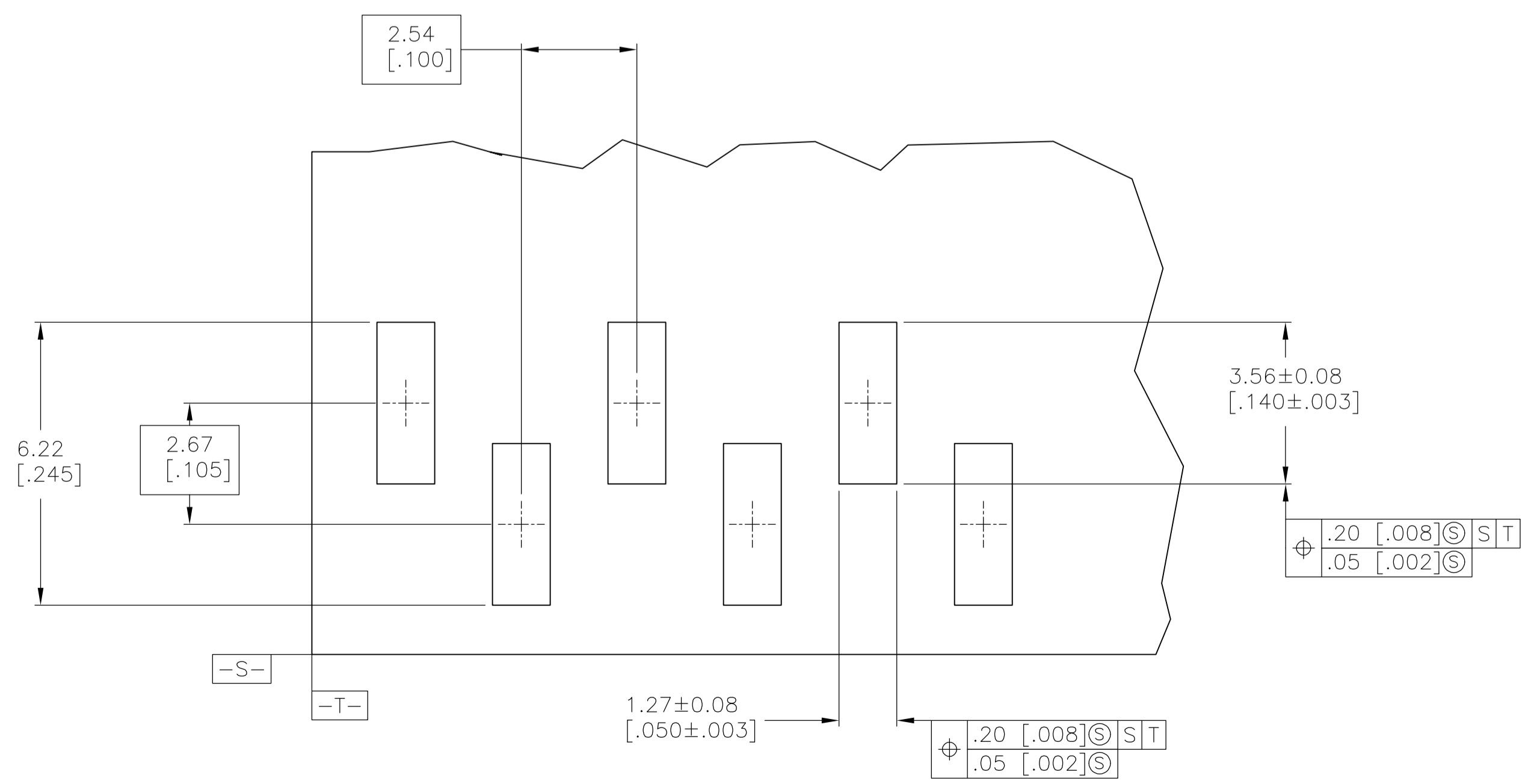
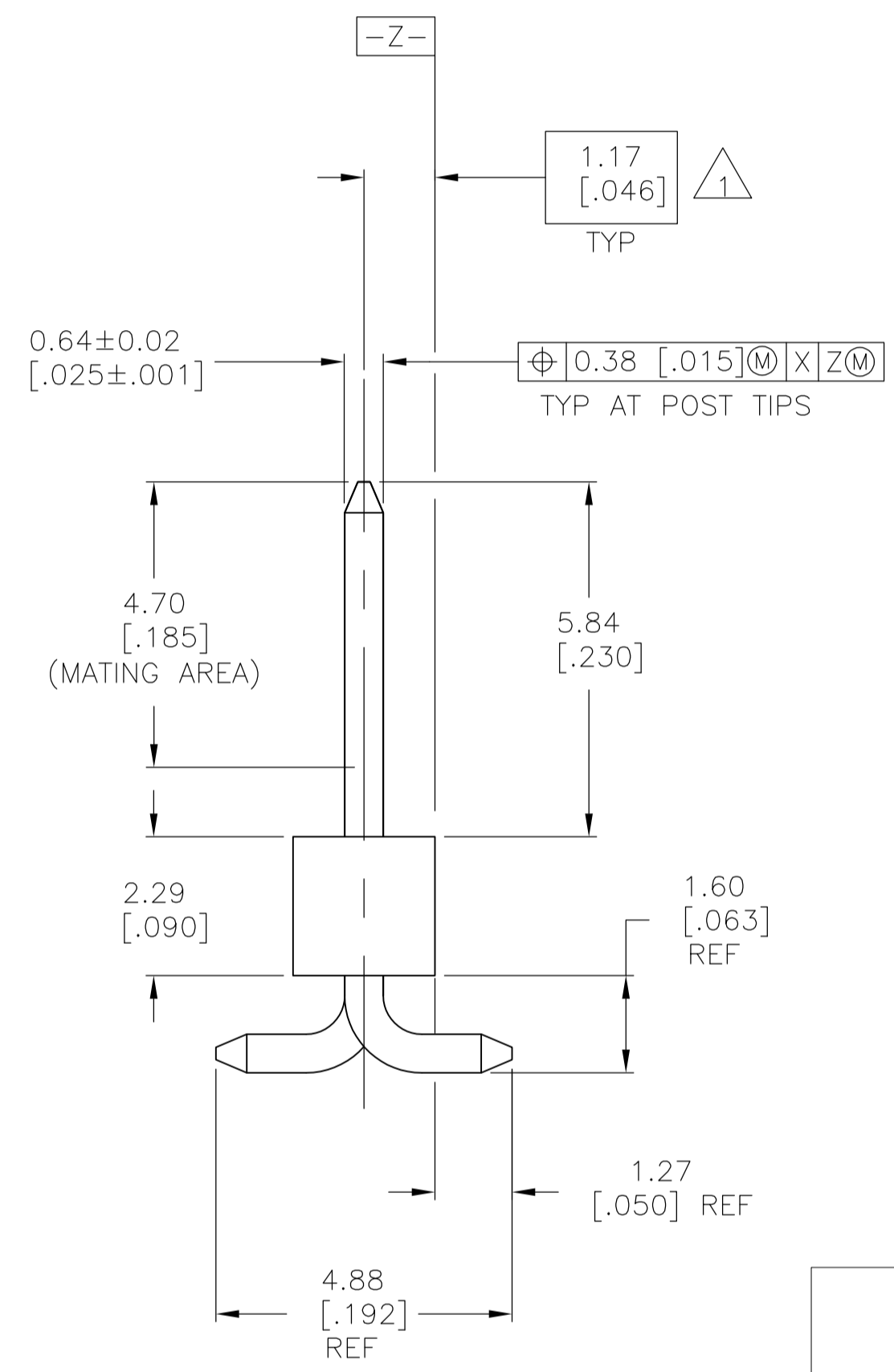
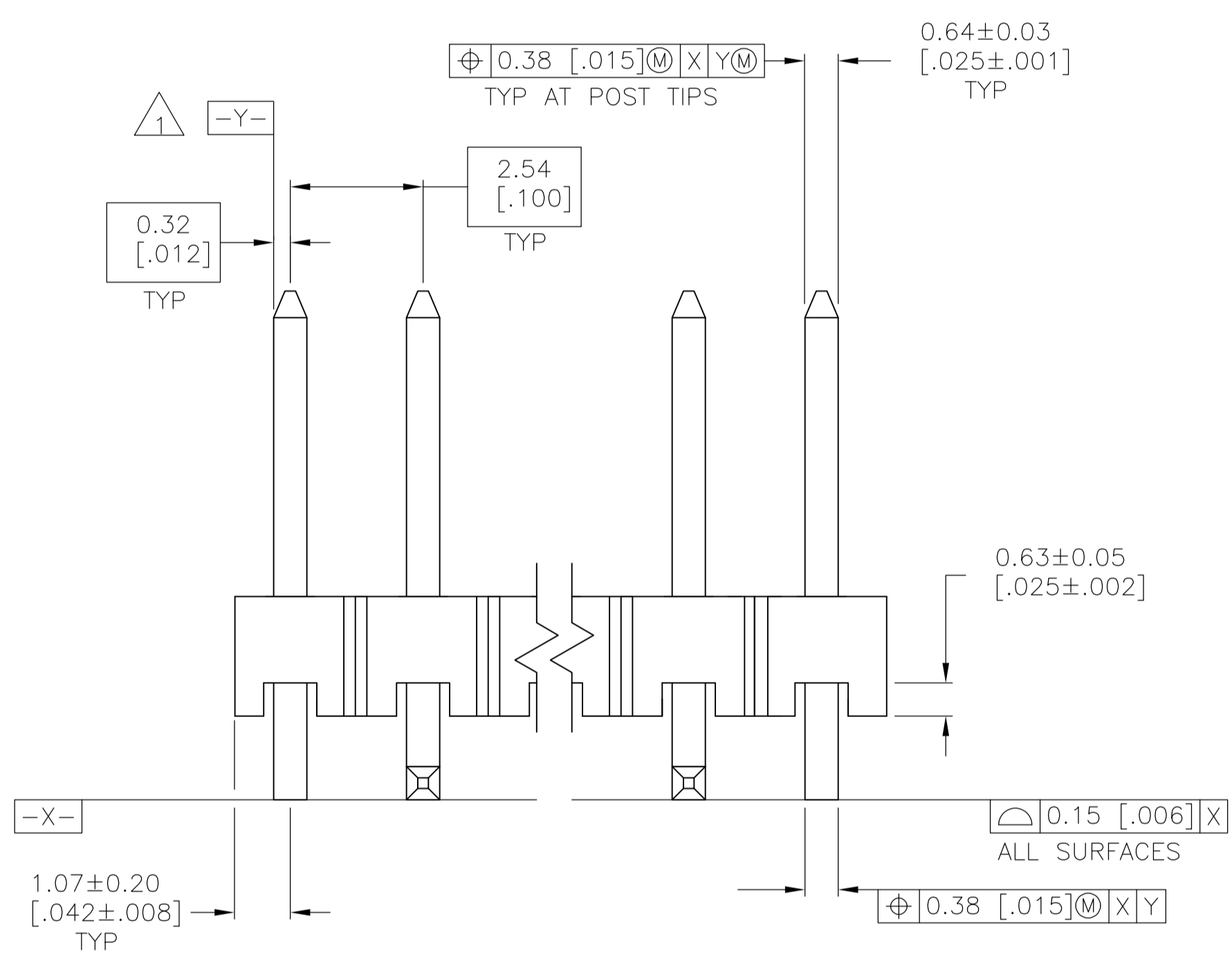


- 1 THE NOTED DIMENSIONS APPLY AT THE INTERSECTION OF THE POST AND THE HOUSING.
- 2 0.000762[.000030] GOLD ON CONTACT AREA, 0.00254[.000100]-0.00508[.000200] MATTE TIN-LEAD ON SOLDER TAIL, ALL OVER 0.00127[.000050] NICKEL.
- 3 HOUSING: LCP, COLOR-BLACK. POSTS: COPPER ALLOY.
- 4 0.000762[.000030] GOLD ON CONTACT AREA, 0.00254[.000100]-0.00508[.000200] MATTE TIN ON SOLDER TAIL, ALL OVER 0.00127[.000050] NICKEL.
- 5 OBSOLETE PARTS: OBSOLETE CIS STREAMLINING PER D.RENAUD/D.SINISI



RECOMMENDED PCB LAYOUT FOR USE WITH .008 THICK STENCIL

4	35.56 [1.400]	14	35.69 [1.484]	15	6-146128-3
4	33.02 [1.300]	13	33.15 [1.384]	14	6-146128-2
4	30.48 [1.200]	12	30.61 [1.284]	13	6-146128-1
4	27.94 [1.100]	11	28.07 [1.184]	12	6-146128-0
4	25.40 [1.000]	10	27.53 [1.084]	11	5-146128-9
4	22.86 [0.900]	9	24.99 [0.984]	10	5-146128-8
4	20.32 [0.800]	8	22.45 [0.884]	9	5-146128-7
4	17.78 [0.700]	7	19.91 [0.784]	8	5-146128-6
4	15.24 [0.600]	6	17.37 [0.684]	7	5-146128-5
4	12.70 [0.500]	5	14.83 [0.584]	6	5-146128-4
4	10.16 [0.400]	4	12.29 [0.484]	5	5-146128-3
4	7.62 [0.300]	3	9.75 [0.384]	4	5-146128-2
4	5.08 [0.200]	2	7.21 [0.284]	3	5-146128-1
2	35.56 [1.400]	14	35.69 [1.484]	15	1-146128-3
2	33.02 [1.300]	13	33.15 [1.384]	14	1-146128-2
2	30.48 [1.200]	12	30.61 [1.284]	13	1-146128-1
2	27.94 [1.100]	11	28.07 [1.184]	12	1-146128-0
2	25.40 [1.000]	10	27.53 [1.084]	11	146128-9
2	22.86 [0.900]	9	24.99 [0.984]	10	146128-8
2	20.32 [0.800]	8	22.45 [0.884]	9	146128-7
2	17.78 [0.700]	7	19.91 [0.784]	8	146128-6
2	15.24 [0.600]	6	17.37 [0.684]	7	146128-5
2	12.70 [0.500]	5	14.83 [0.584]	6	146128-4
2	10.16 [0.400]	4	12.29 [0.484]	5	146128-3
2	7.62 [0.300]	3	9.75 [0.384]	4	146128-2
2	5.08 [0.200]	2	7.21 [0.284]	3	146128-1
PLATING	C	B	A	NO OF POSN	PART NUMBER

OBSOLETE

OBSOLETE

THIS DRAWING IS A CONTROLLED DOCUMENT. DIN J KNAUB 30-09-94. CIK G DUBNICZKI 30-09-94. APVO G DUBNICZKI 30-09-94. NAME SURFACE MOUNT HEADER ASSEMBLY, MOD II, BREAKAWAY, VERTICAL, SINGLE ROW, .100 X.100 C/L .025 SQ.POST. PRODUCT SPEC. APPLICATION SPEC. SIZE CAGE CODE DRAWING NO. RESTRICTED TO. WEIGHT. A1 00779 C=146128. CUSTOMER DRAWING. SCALE 10:1. SHEET 1 OF 1. REV L.