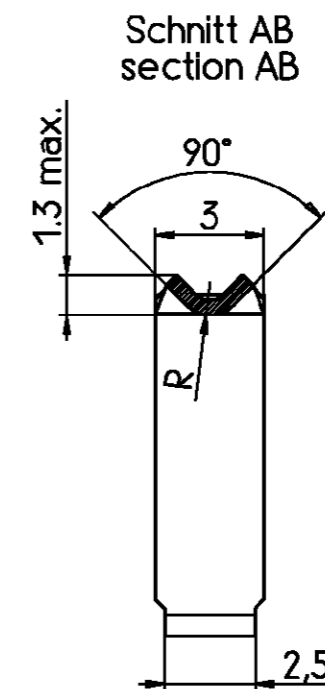
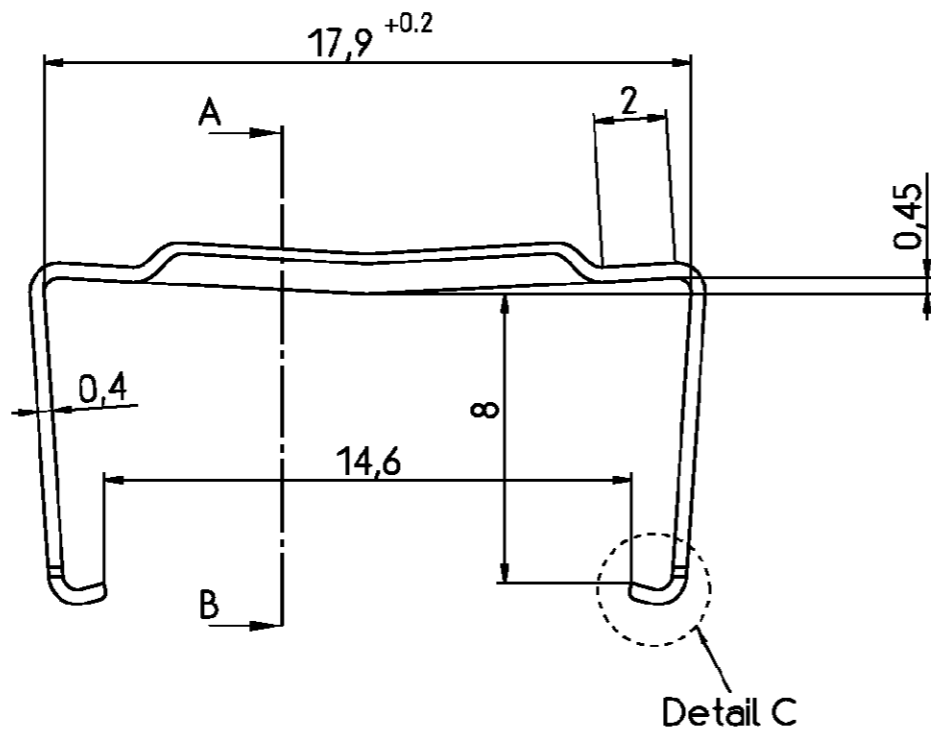
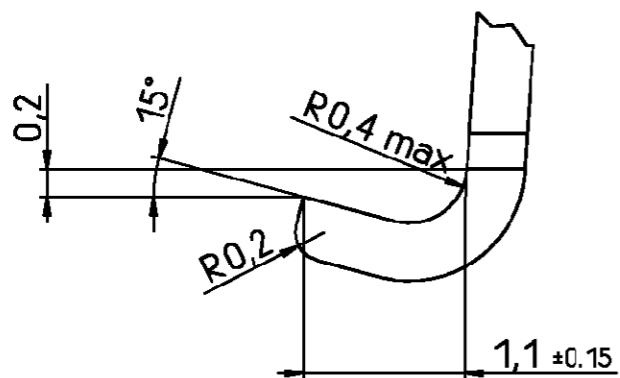


THIS INFORMATION IS CONFIDENTIAL AND PROPRIETARY TO TYCO ELECTRONICS CORPORATION AND ITS WORLDWIDE SUBSIDIARIES AND AFFILIATES. IT MAY NOT BE DISCLOSED TO ANYONE, OTHER THAN TYCO ELECTRONICS PERSONNEL, WITHOUT WRITTEN AUTHORIZATION FROM TYCO ELECTRONICS CORPORATION, HARRISBURG PENNSYLVANIA USA

PROPRIETARY:



Detail C (20:1)



tyco		TYCO ELECTRONICS CORPORATION		SCALE 5:1 (20:1)		WEIGHT	
Electronics		OOSTKAMP - BELGIUM		DIMENSIONS IN MM		MATERIAL	
DATE 03.02.93		NAME Sterckx		PART NAME		Bügel Sub-D Schneidklemmanschuß	
DEP. PE Com PE&SE				PART NO.		SHT. 1+	
A WO00/7020		28 AUG 00 KV		TOLERANCE UNLESS SPECIFIED OTHERWISE ±0.2		V42254-A4000-D9-*-*27	
01 03.02.93 RST		51 03.02.93 RST		Customer Drawing Nr. C 4-1393560-3		OF 2	

Mouser Electronics

Authorized Distributor

Click to View Pricing, Inventory, Delivery & Lifecycle Information:

[TE Connectivity:](#)

[4-1393560-3](#)