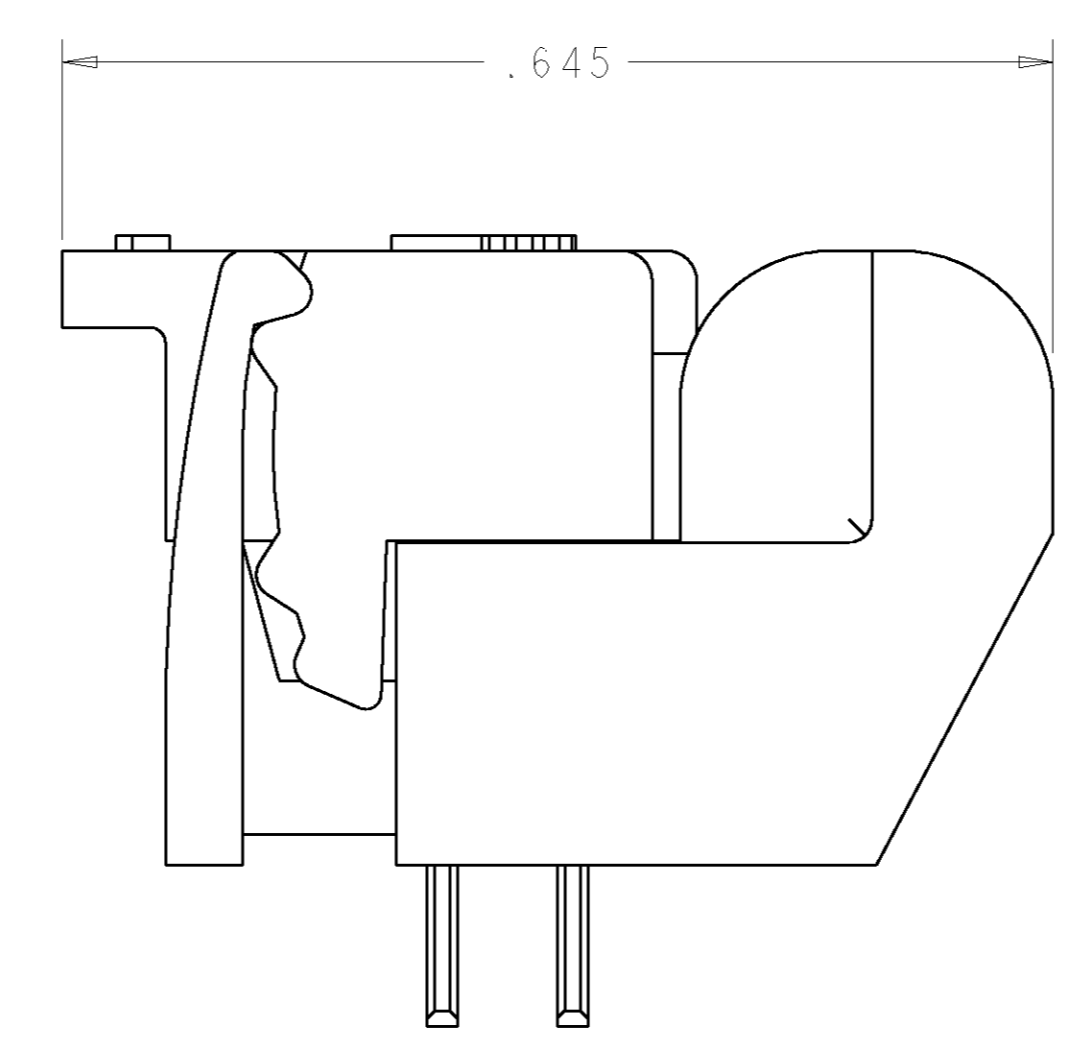
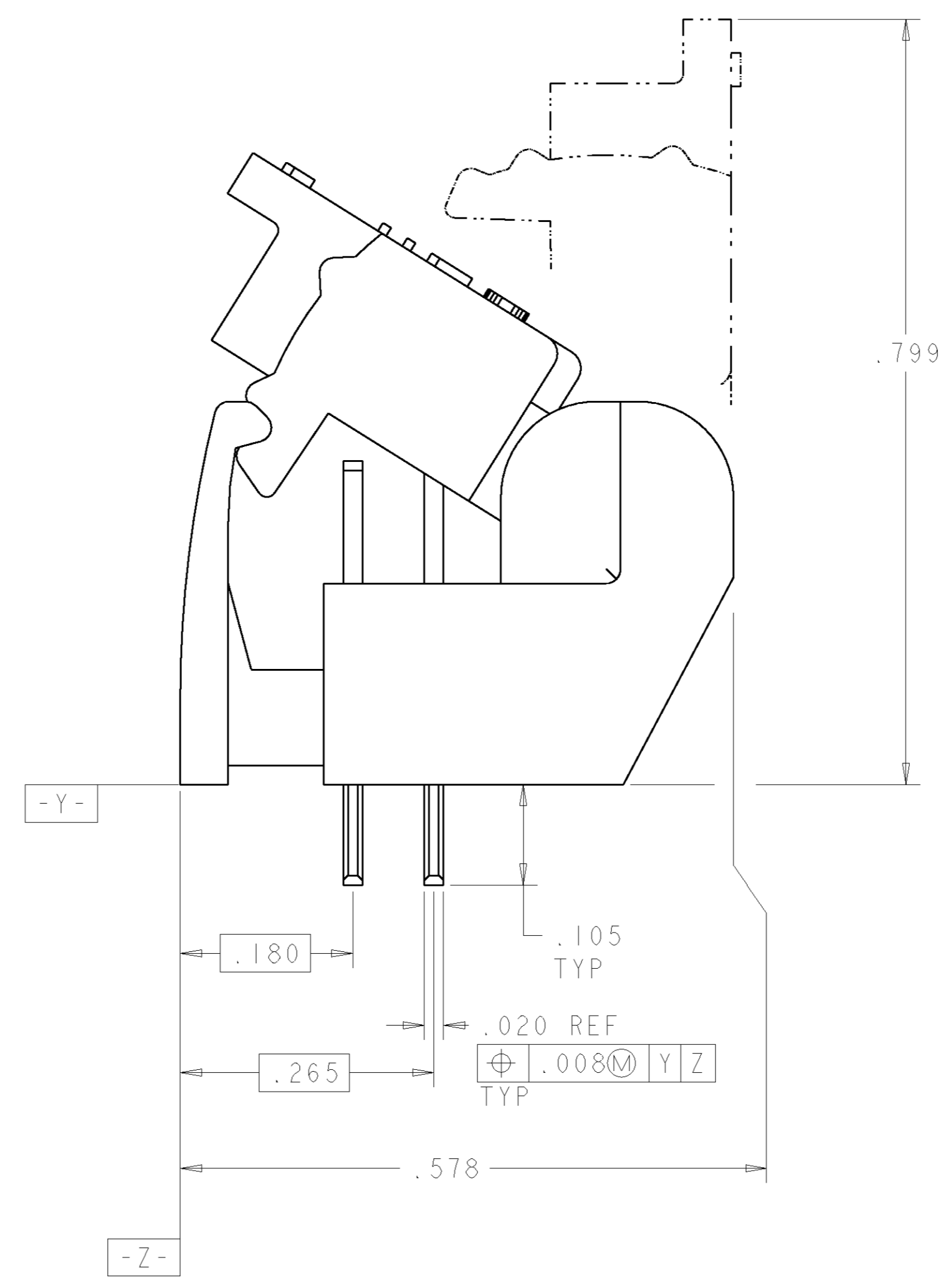
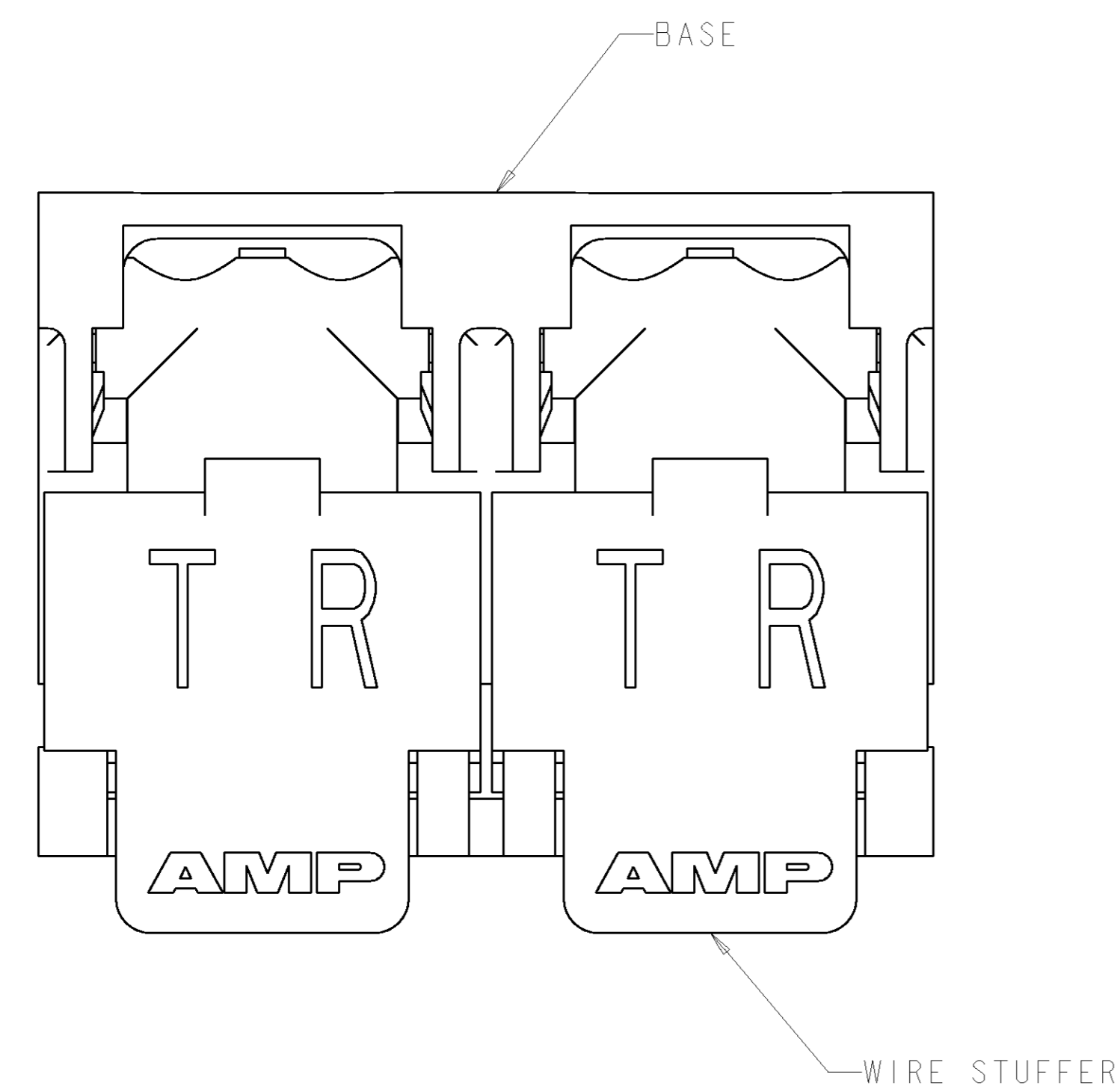
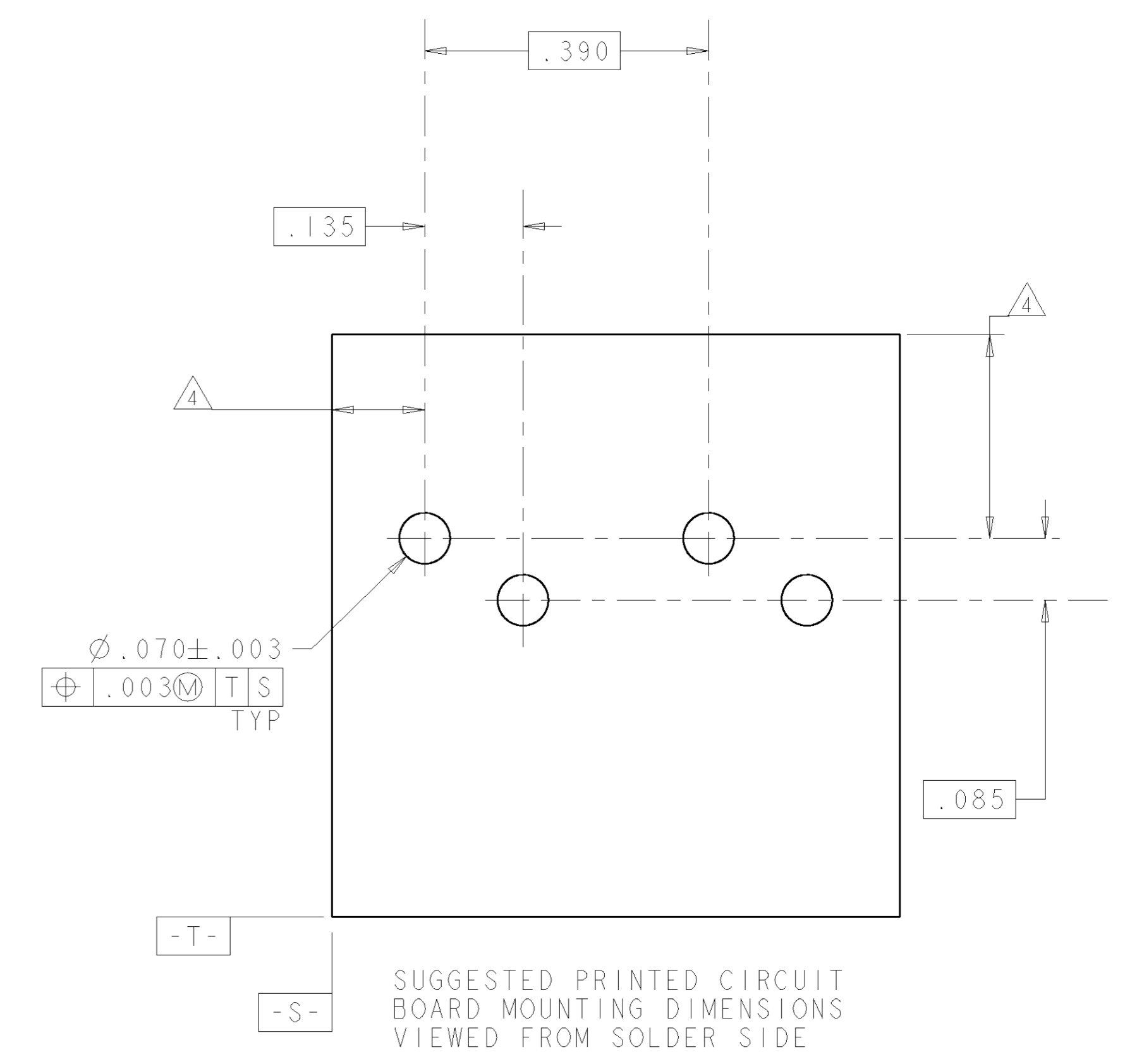
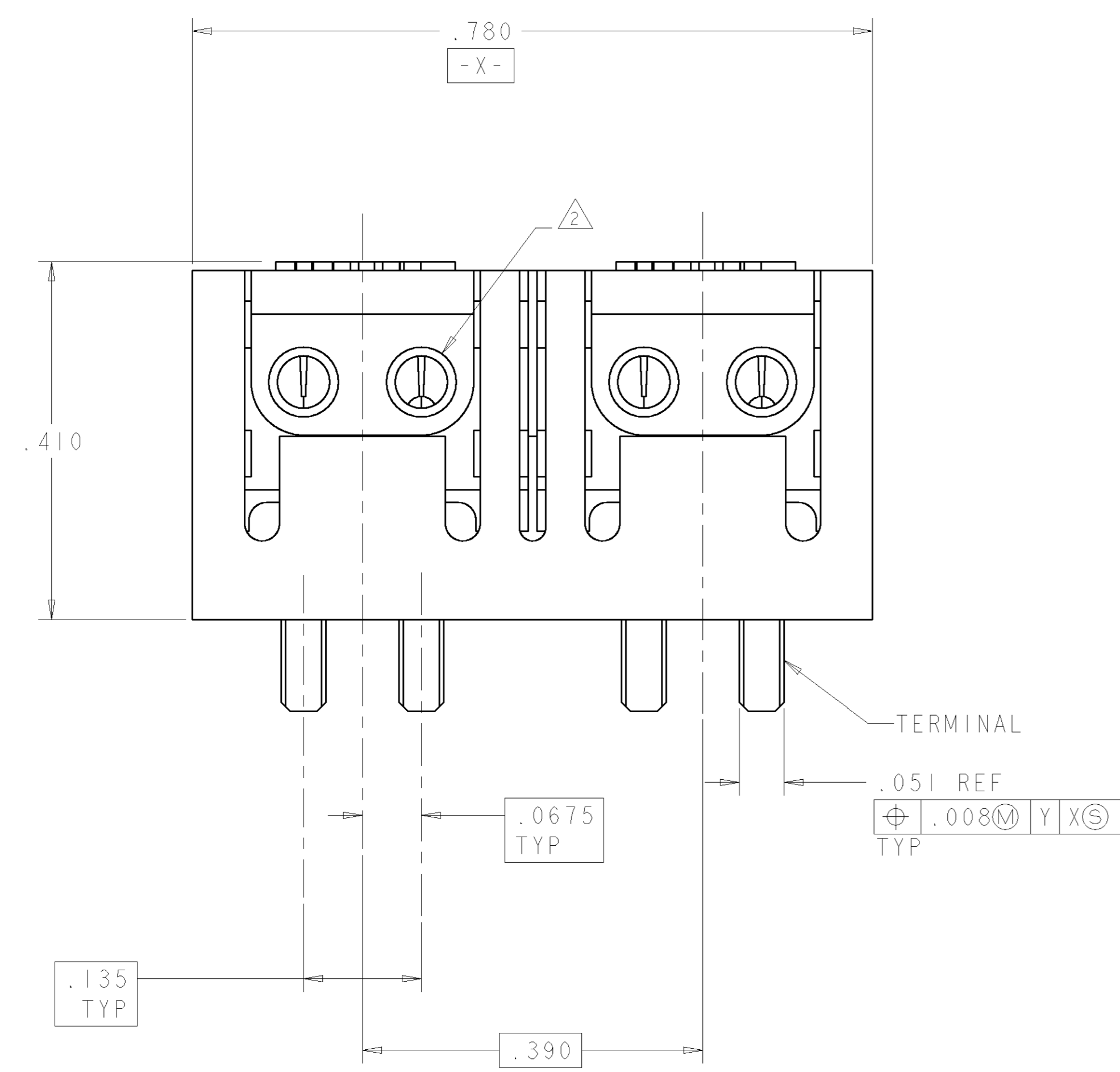


REV. NO.		REVISIONS				
LOC	DIST	F. LTR	DESCRIPTION	DATE	DWN	APPD
GP	0					
	B		REV: EC 001C-0007-01	22JAN01	JA	TW
	C		REVISED PER EC 0S15-0450-02	21JAN2003	DLD	RPM
	D		REVISED PER EC 0S15-0324-03	08DEC2003	JB	CF



CLOSED POSITION

- ⚠ MATERIAL: BASE - POLYESTER MOLDING COMPOUND, BLACK.  
 WIRE STUFFER: - POLYESTER MOLDING COMPOUND, SEE TABLE FOR COLOR.  
 TERMINAL - COPPER ALLOY, PLATED WITH 3.81μm MINIMUM THICK TIN OVER 1.27μm MINIMUM THICK NICKEL UNDERPLATE.
- ⚠ EACH WIRE ENTRY HOLE ACCEPTS ONE UNSTRIPPED SOLID COPPER 22-26 AWG WIRE WITH WIRE INSULATION DIAMETER RANGE FROM .060 THROUGH .040. OTHER WIRE SIZES AND TYPES SHALL BE SUBMITTED TO AMP ENGINEERS FOR APPLICATION APPROVAL.
- 3. SOLDER TABS PROVIDED FOR PERMANENT BOARD MOUNTING.
- ⚠ LOCATION OF HOLE PATTERN DETERMINED BASED ON CUSTOMER REQUIREMENTS.



SUGGESTED PRINTED CIRCUIT BOARD MOUNTING DIMENSIONS VIEWED FROM SOLDER SIDE

BLACK	1339374-2
CLEAR	1339374-1
STUFFER COLOR	PART NUMBER

<small>THIS DRAWING IS A CONTROLLED DOCUMENT FOR AMP INCORPORATED. ALL INFORMATION CONTAINED HEREIN IS UNCLASSIFIED UNLESS INDICATED OTHERWISE. FOR MORE INFORMATION CONTACT THE CONTROLLED DOCUMENTS GROUP AT 1-800-541-4373.</small>		DWN J. AHERON 30NOV00 CRW	NAME AMP INCORPORATED HARRISBURG, PA 17105-3608
DIMENSIONS: INCHES	TOLERANCES UNLESS OTHERWISE SPECIFIED: 0 PLC ±. 1 PLC ±.01 2 PLC ±.01 3 PLC ±.005 4 PLC ±. ANGLES ±.	APVD S. ROBERTSON 30NOV00 PRODUCT SPEC	NAME ASSEMBLY, DOUBLE PAIR, DOUBLE ENTRY, PIVOT II CONNECTOR
MATERIAL ⚠	FINISH -	APPLICATION SPEC -	SIZE A1
CUSTOMER DRAWING		WEIGHT -	CAGE CODE 00779
		DRAWING NO. 1339374	SCALE 6:1
		SHEET 1 OF 1	REV D

# Mouser Electronics

Authorized Distributor

Click to View Pricing, Inventory, Delivery & Lifecycle Information:

[TE Connectivity:](#)

[1339374-2](#)