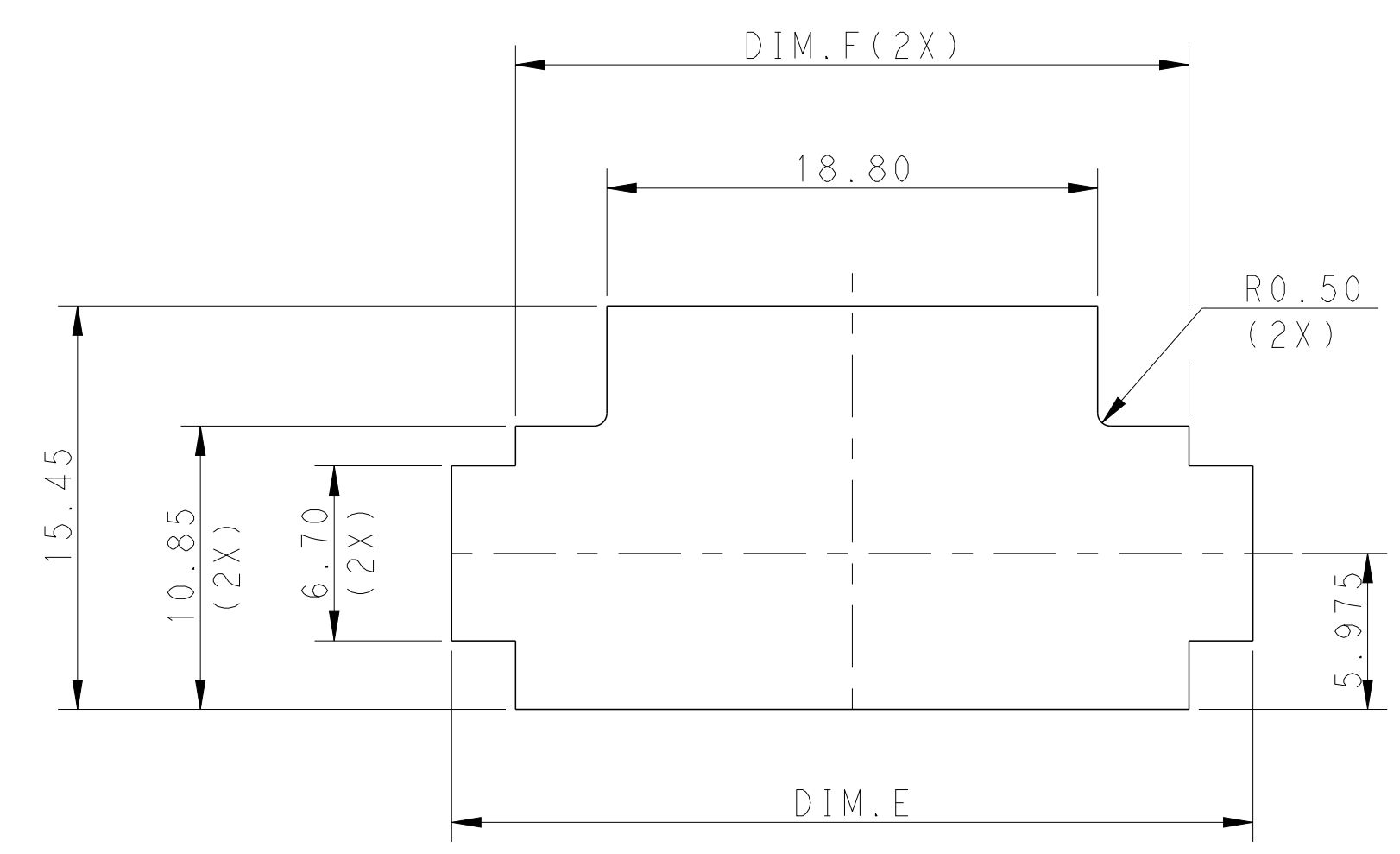
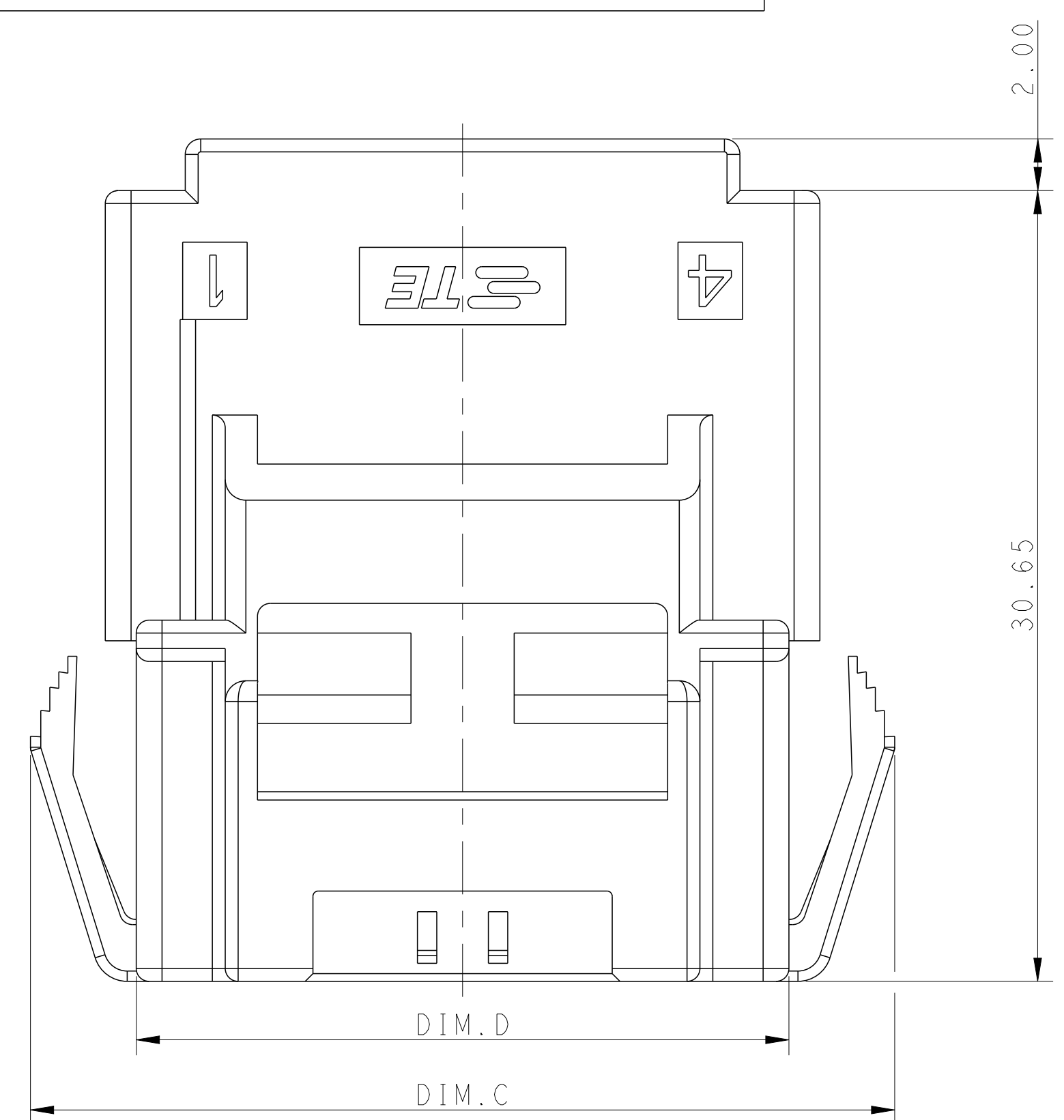
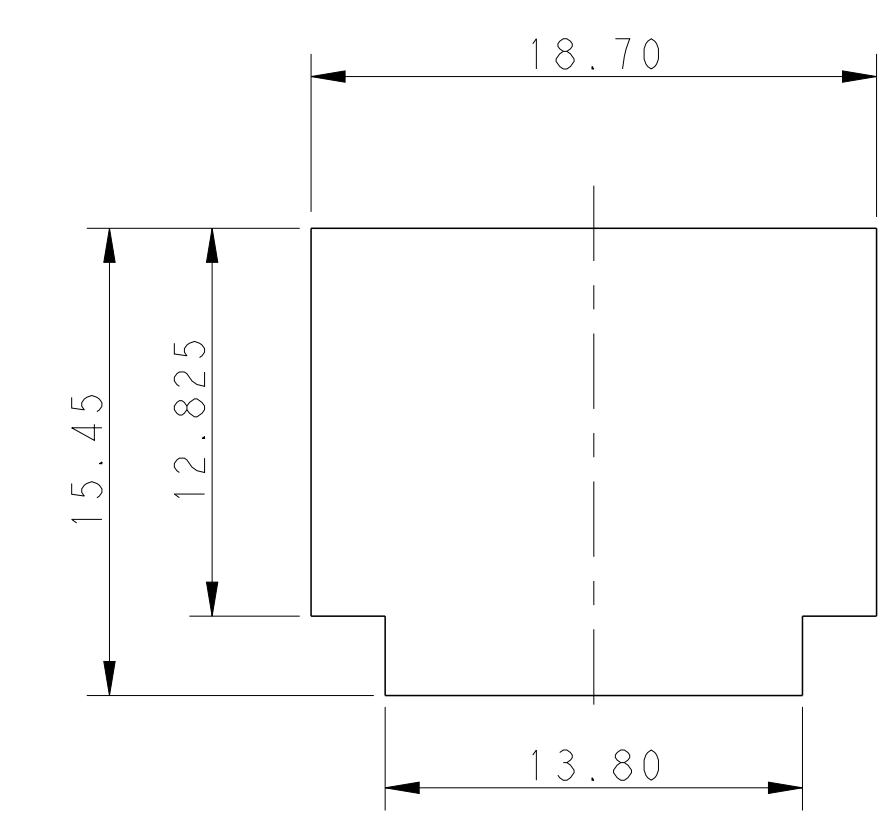
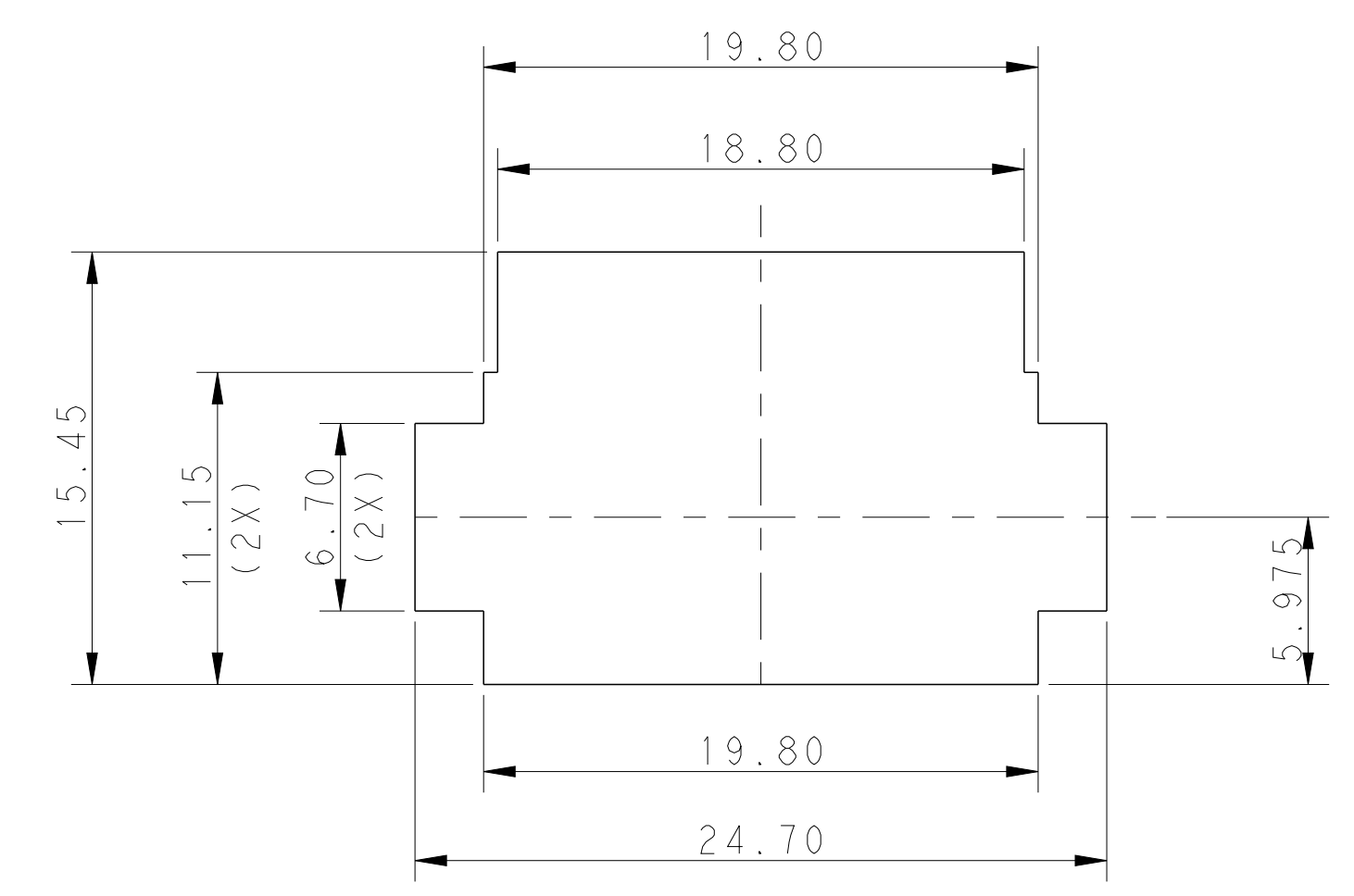
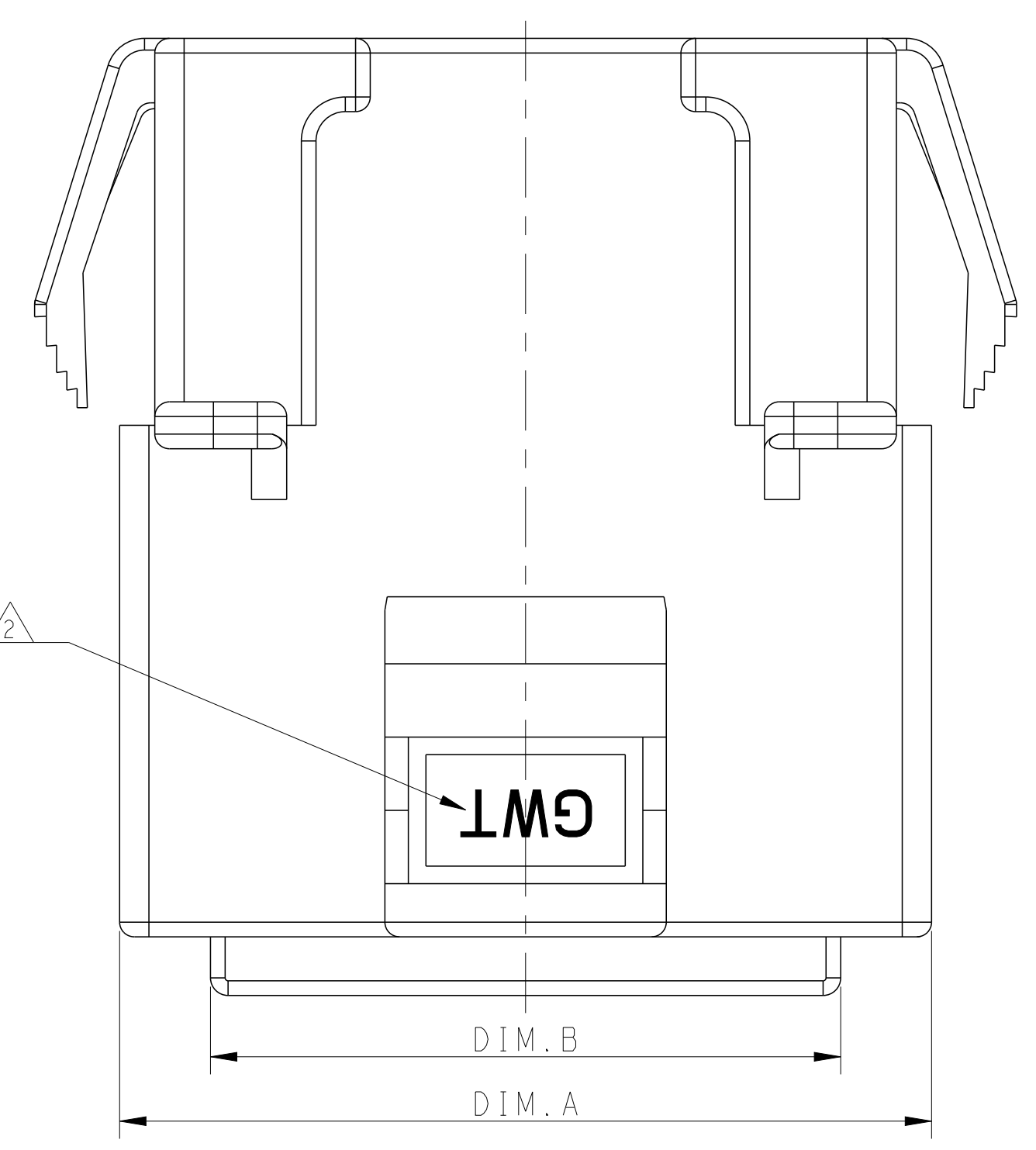
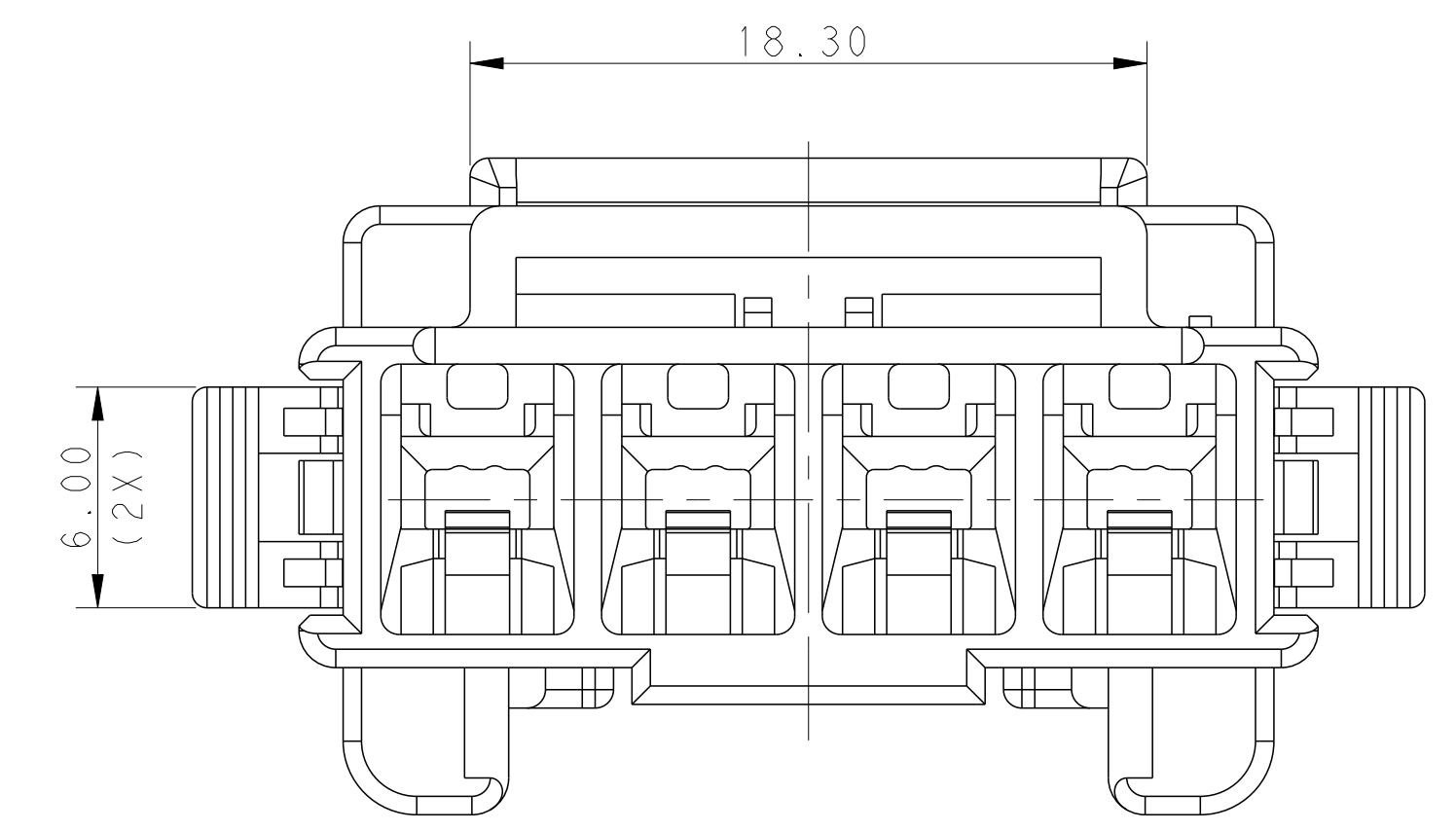
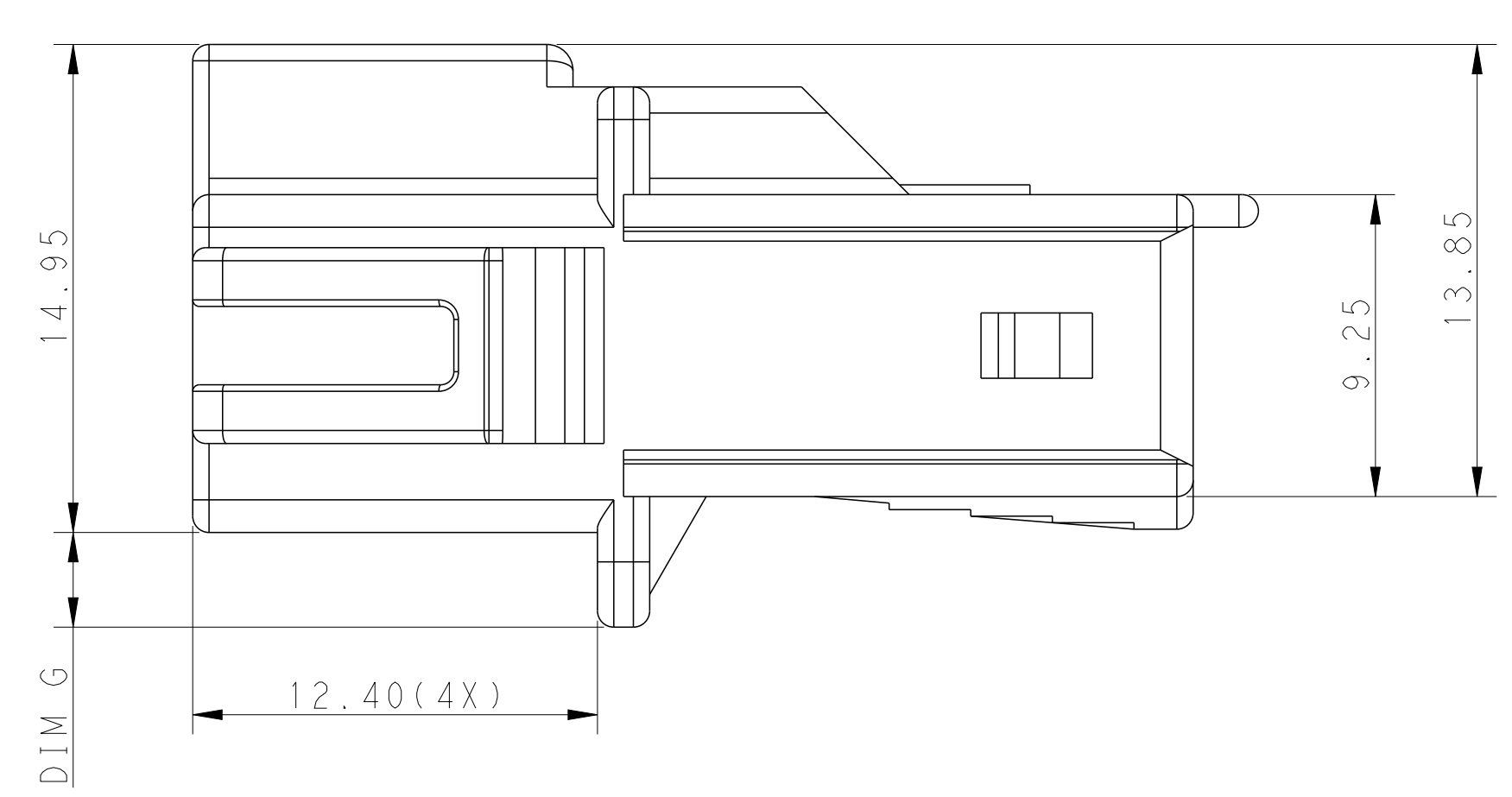
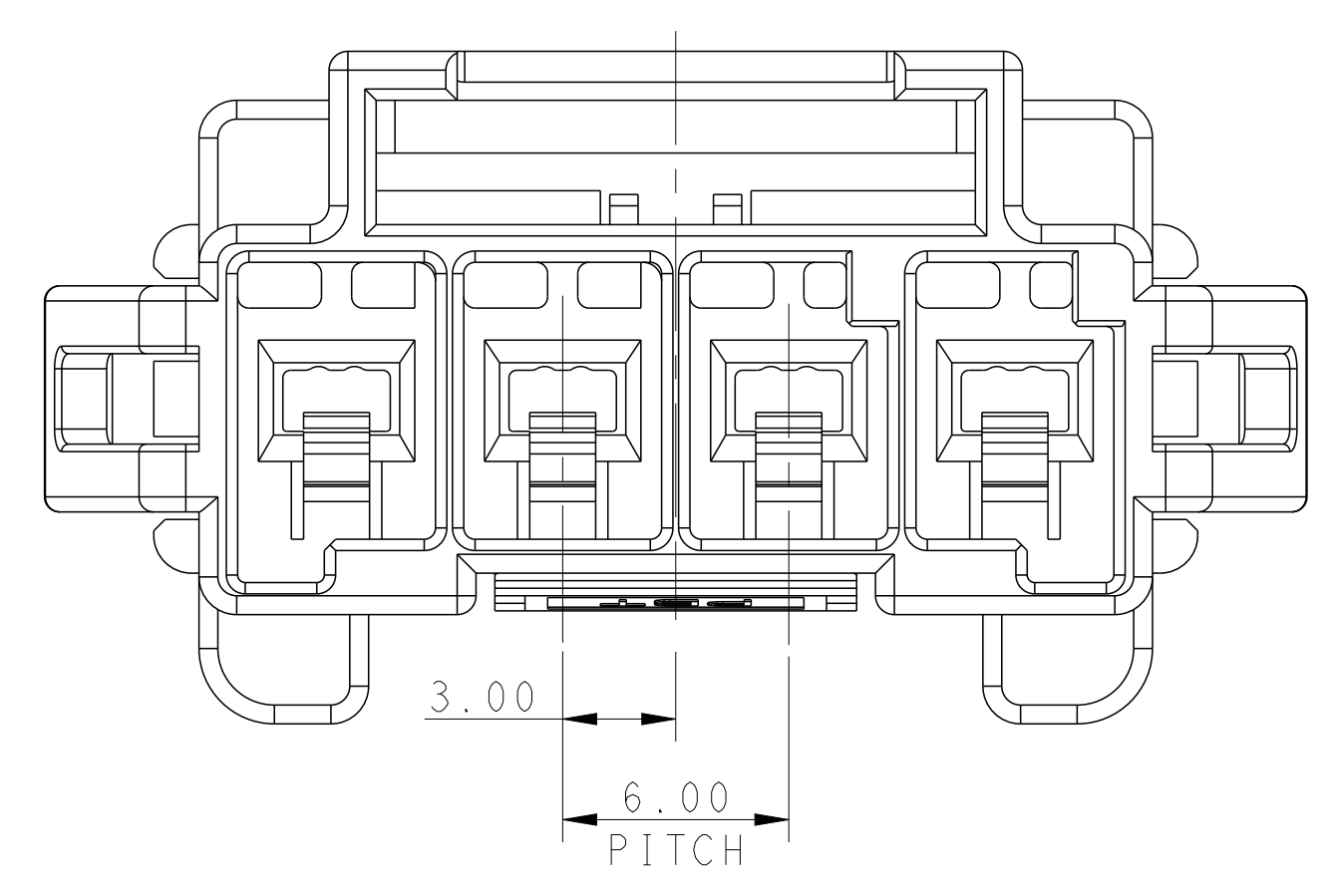


REVISIONS				
P	LTN	DESCRIPTION	DATE	APVD
C		REVISED PER ECR-16-003314	18JUL2016	BW GJ



- △ MATERIAL:  
 LEVEL A: PA6 GLASS FILLED, COMPLY WITH GLOW WIRE REQUIREMENTS FOR PARTS OF NON-METALLIC MATERIAL SUPPORTING A CURRENT-CARRYING CONNECTION DETAILED IN IEC 60335-1, SECTION 30 (GWT), UL 94V-0  
 LEVEL B: PBT GLASS FILLED, HOT WIRE IGNITION (HWI) VERSION ARE MOLDED IN A RESIN THAT COMPLIES WITH TE HOT WIRE IGNITION TEST 109-32026 AND ARE RECOMMENDED FOR USE WITH HWI HOUSINGS THAT ALSO COMPLY, UL 94V-0
- △ MATERIAL MARK:  
 LEVEL A: GWT, LEVEL B: HWT
- APPLICABLE CONTACT P/N  
 TAB CONTACT: 1971238/1971780/1971782/1971784/1971786/1971788-\*, 2238067-\*
  - MATING CONN, P/N  
 PLUG HSG: \*-2232265-\*,  
 TPA (LOCK PLATE): \*-1971777-\*
  - RECOMMENDED PANEL THICKNESS: 1.0~2.0mm

RECOMMENDED PANEL OPENING DIMENSIONS FOR CAP HOUSING 1\*5 AND 1\*4 POSITIONS (TOLERANCE: ±0.15mm)



RECOMMENDED PANEL OPENING DIMENSIONS FOR CAP HOUSING 1\*3 POSITION (TOLERANCE: ±0.15mm)

RECOMMENDED PANEL OPENING DIMENSIONS FOR CAP HOUSING 1\*2 POSITION (TOLERANCE: ±0.15mm)

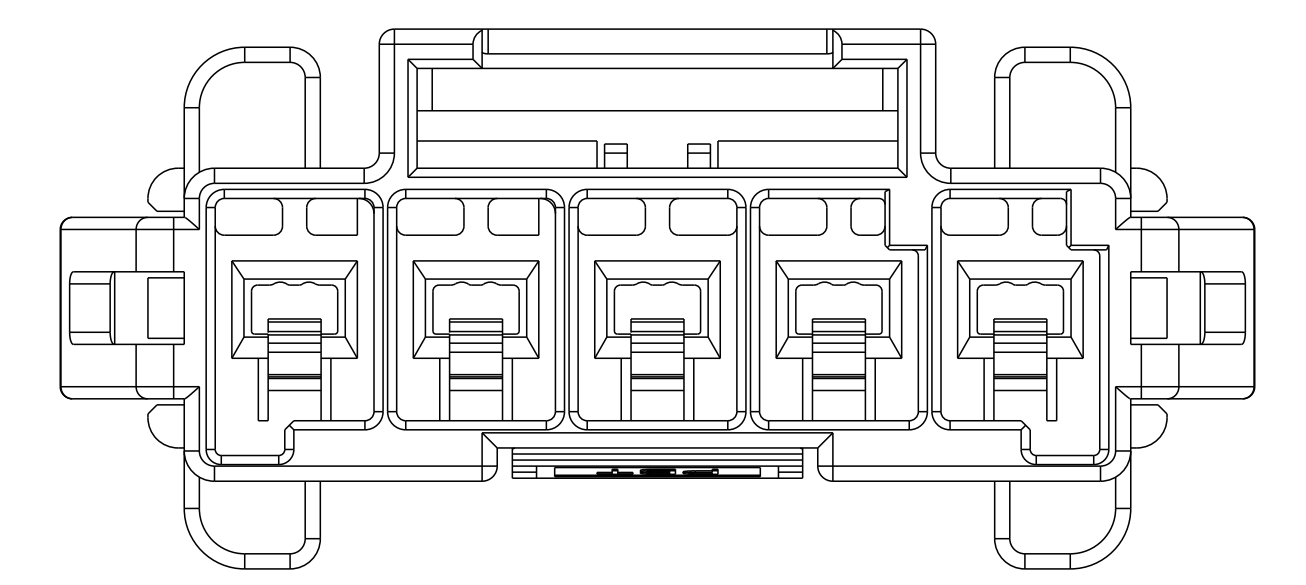
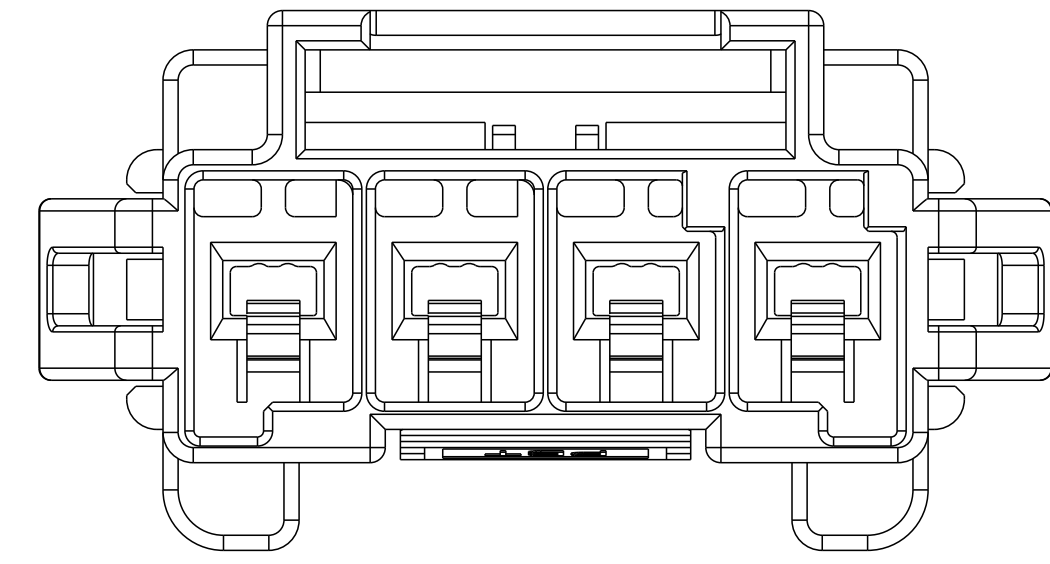
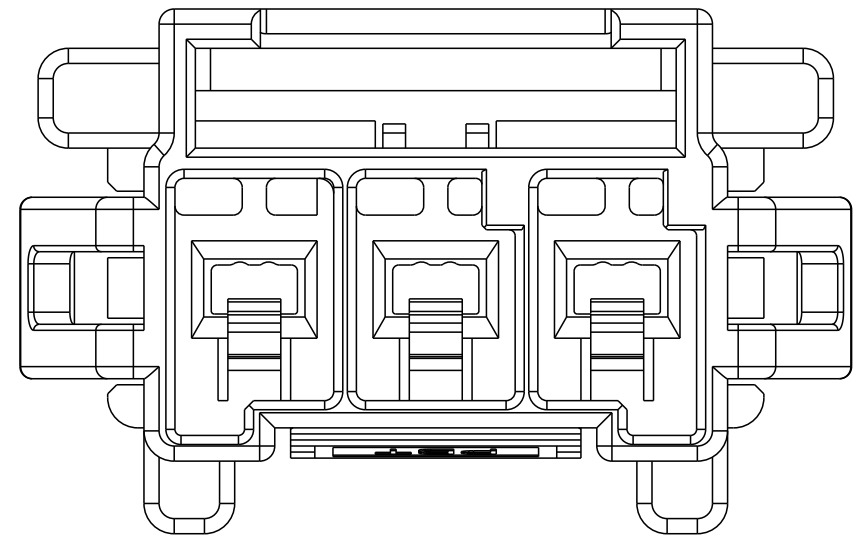
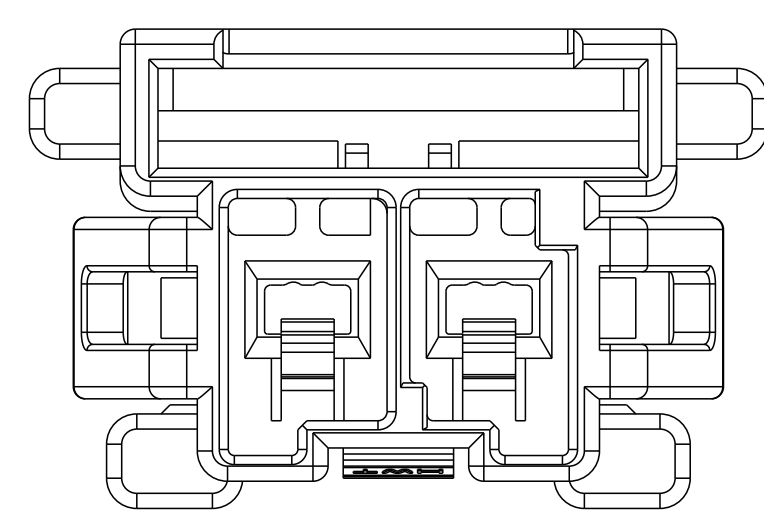
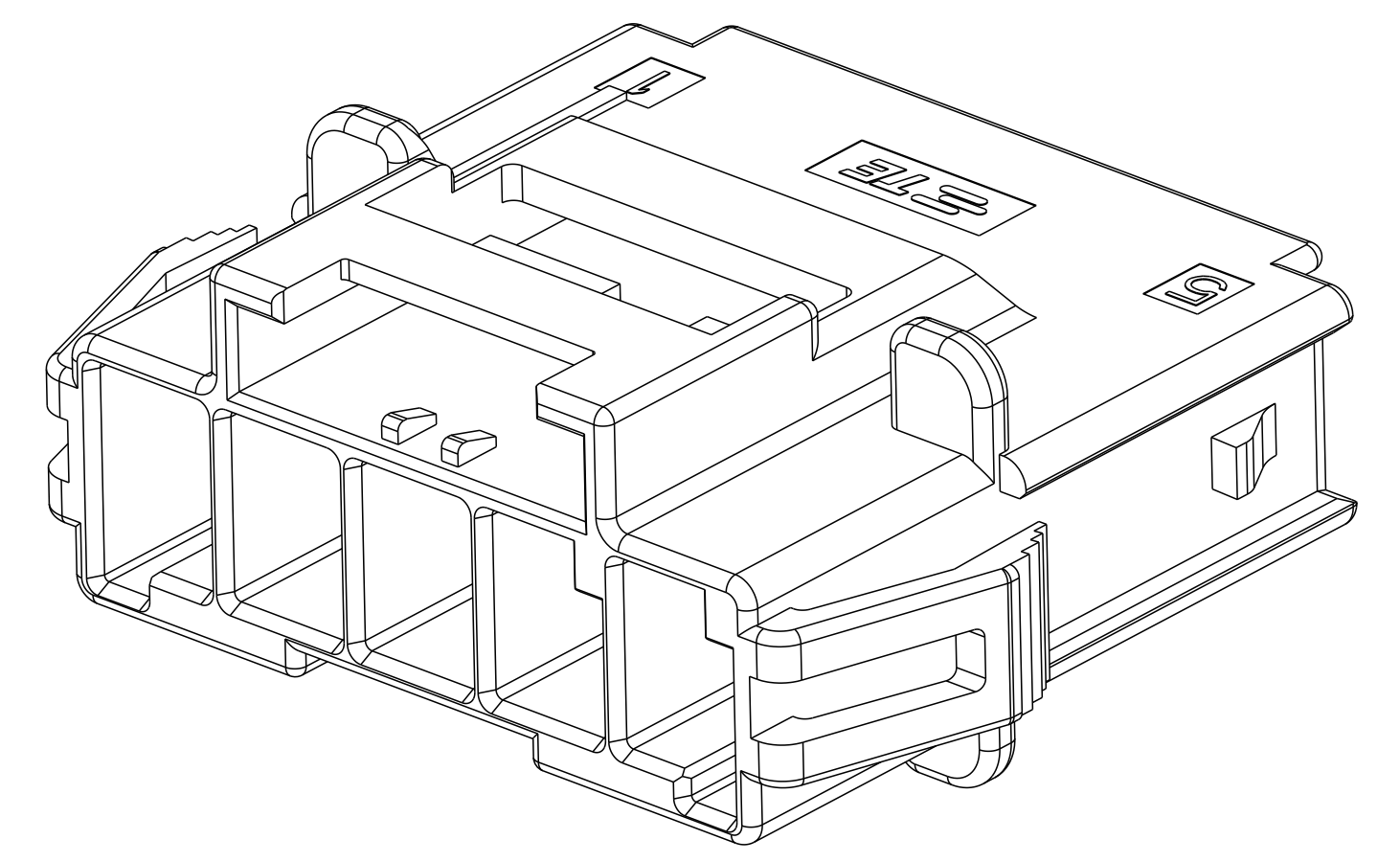
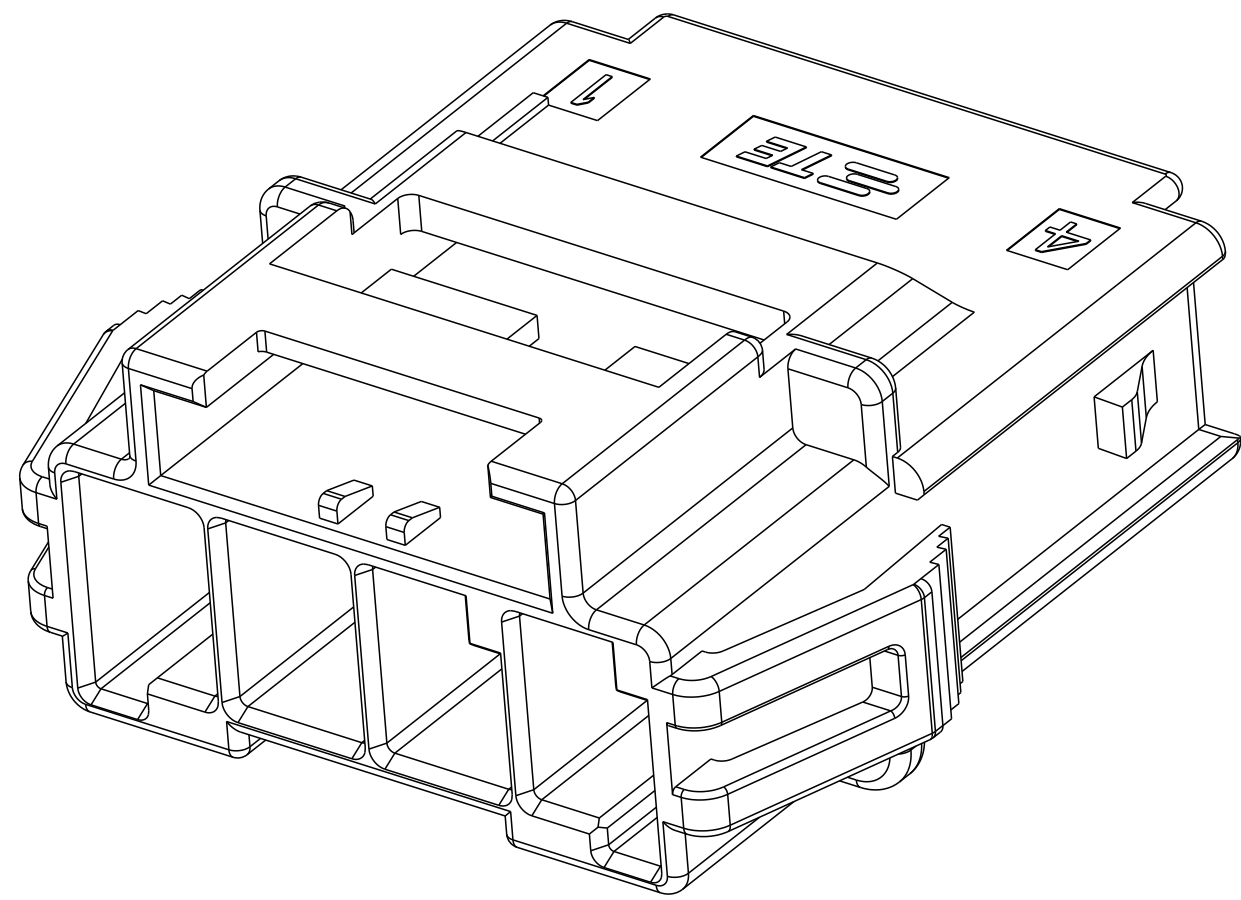
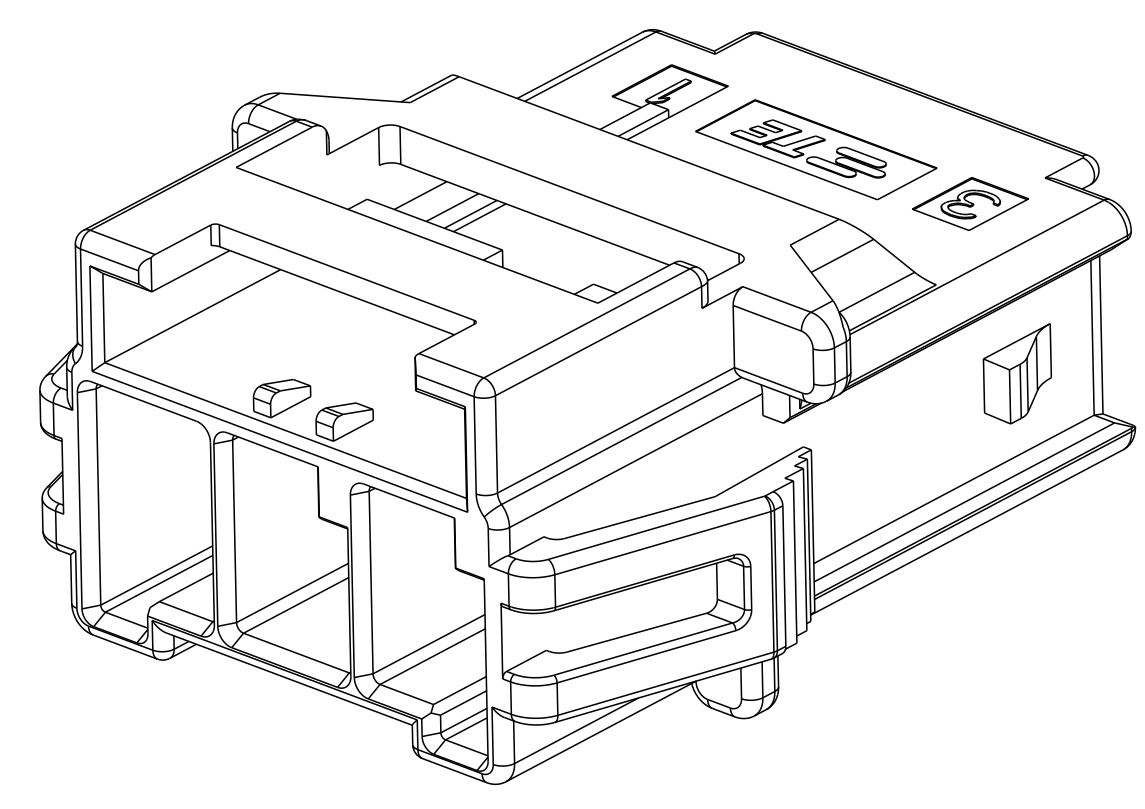
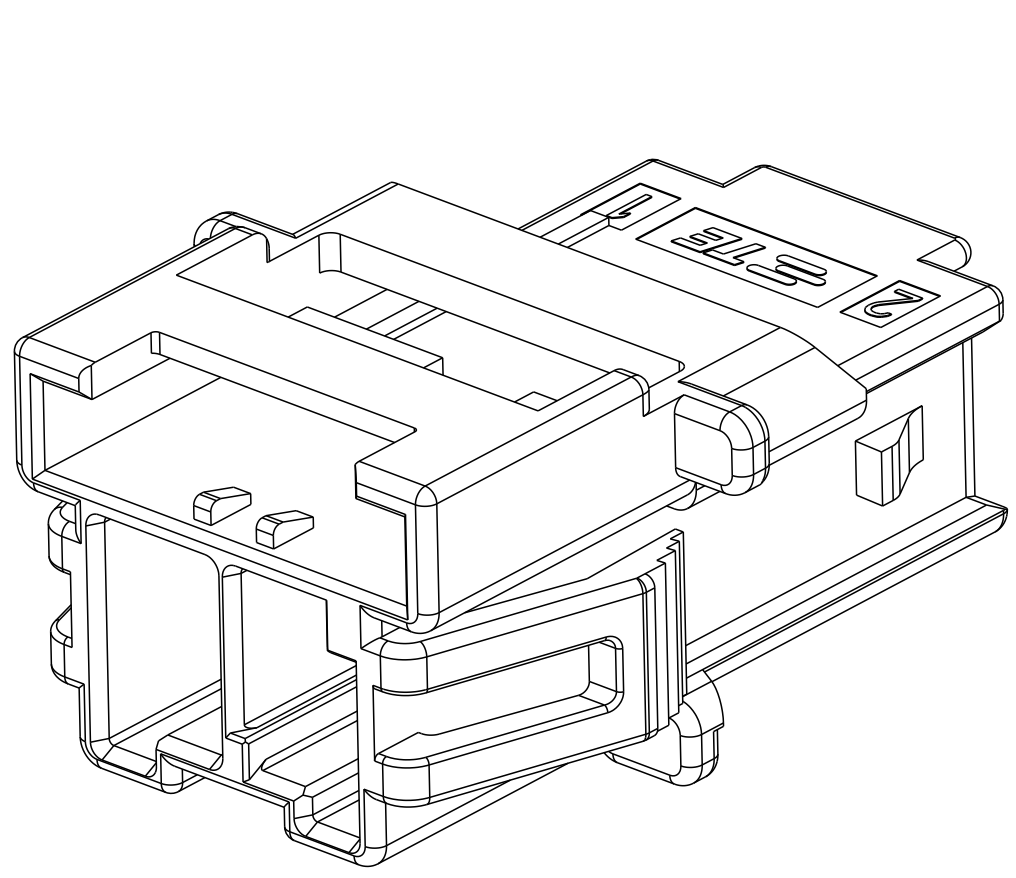
POS	Dim. A	Dim. B	Dim. C	Dim. D	Dim. E	Dim. F	Dim. G
1*5	33.70	27.50	39.5	31.30	36.70	31.80	2.9
1*4	27.70	21.50	33.5	25.30	30.70	25.80	2.9
1*3	21.70	15.50	27.5	19.30			2.5
1*2	15.70	9.50	21.5	13.30			1.1

THIS DRAWING IS A CONTROLLED DOCUMENT.

DIMENSIONS:	TOLERANCES UNLESS OTHERWISE SPECIFIED:	DATE: 26MAR2013	CHK: TOMMY WU
mm	0 PLC ±0.35	26MAR2013	CHK: HAPYE WU
	1 PLC ±0.25		APVD: YUHONG MAO
	3 PLC ±0.20		NAME: CAP HOUSING, PANEL MOUNT, SINGLE ROW POWER TRIPLE LOCK
	4 PLC ±0.15		PRODUCT SPEC: 108-106118
	ANGLES ±0.1		APPLICATION SPEC: 114-106118
MATERIAL:	FINISH:	WEIGHT:	SIZE: A100779
			DRAWING NO: C=2232263
			RESTRICTED TO: -
		Customer Drawing	SCALE: - SHEET 1 OF 2 REV C

TE Connectivity

REVISIONS				
P.	LTN	DESCRIPTION	DATE	OWN APVD
-	-	SEE SHEET 1	-	-

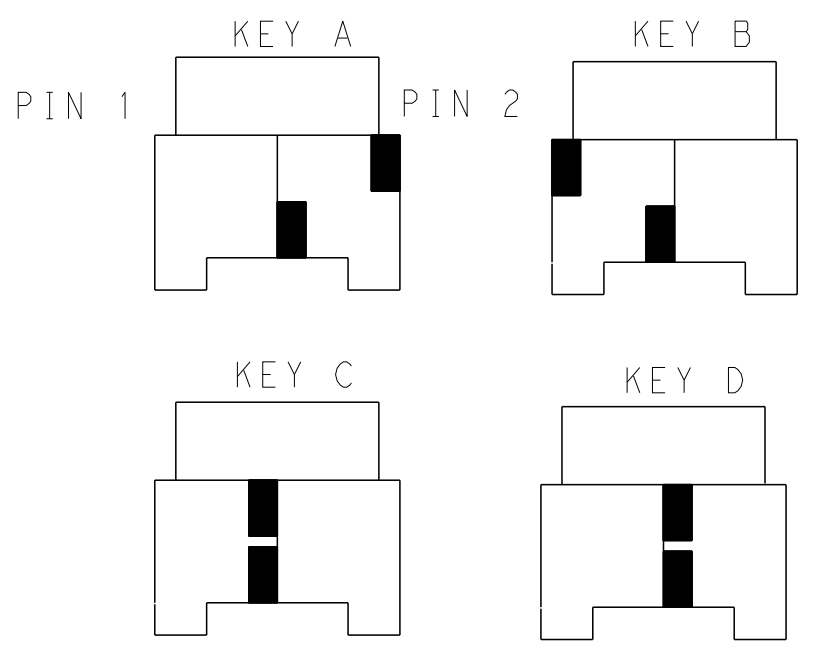


1\*2 POSITIONS

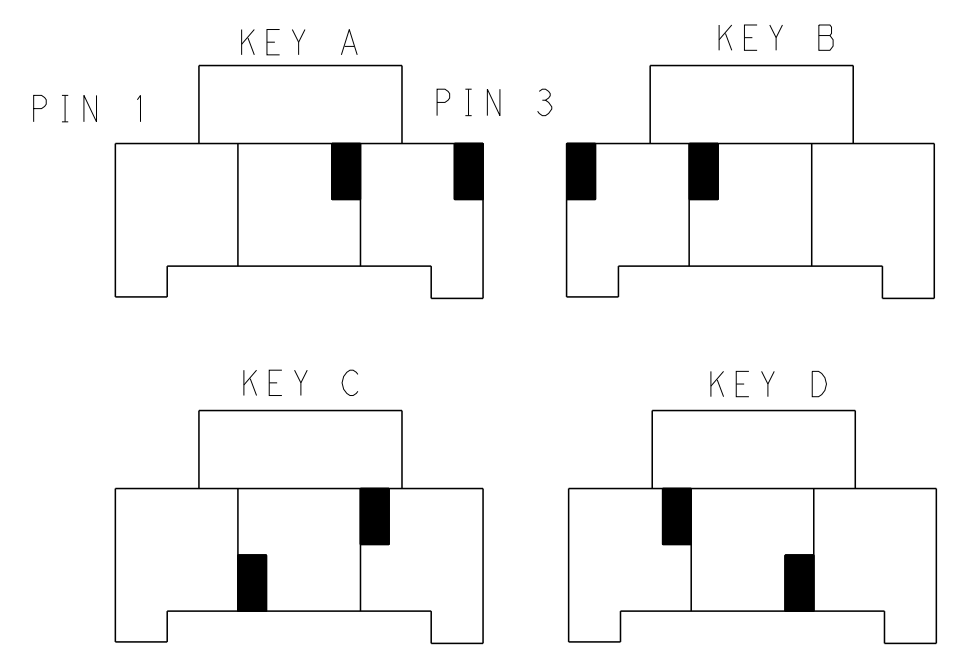
1\*3 POSITIONS

1\*4 POSITIONS

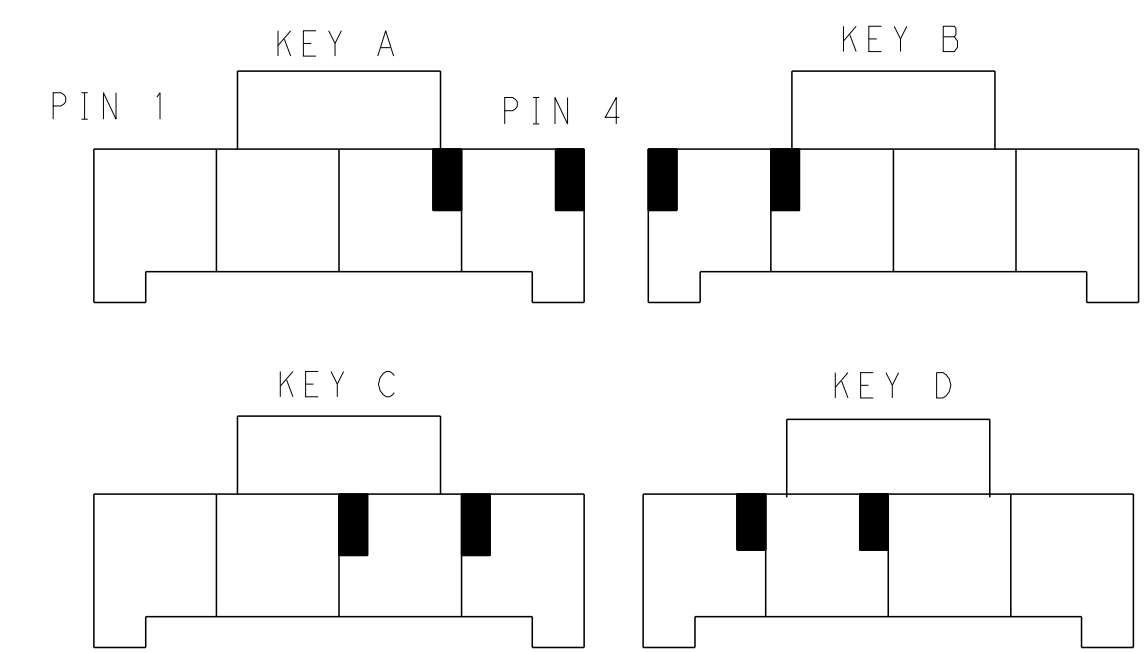
1\*5 POSITIONS



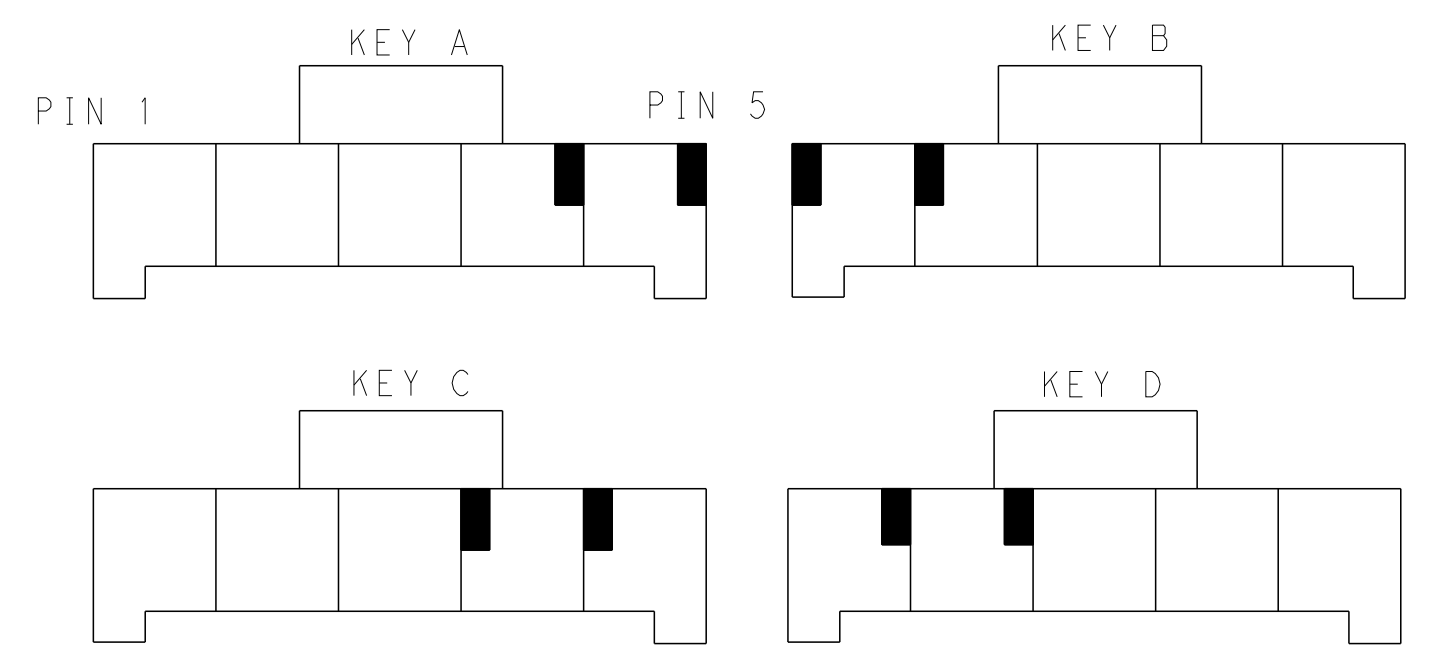
KEYING FOR 1\*2 POS.



KEYING FOR 1\*3 POS.



KEYING FOR 1\*4 POS.



KEYING FOR 1\*5 POS.

POS.	MATERIAL	COLOR	KEY	P/N
1*5	LEVEL A	DARK GREY	KEY A	5-2232263-7
		BROWN	KEY B	6-2232263-7
		GREEN	KEY C	7-2232263-7
		ORANGE	KEY D	8-2232263-7
1*4	LEVEL B	BLACK	KEY A	1-2232263-3
		DARK GREY	KEY A	5-2232263-4
		BROWN	KEY B	6-2232263-4
		GREEN	KEY C	7-2232263-4
1*4	LEVEL A	ORANGE	KEY D	8-2232263-4
		BLACK	KEY A	1-2232263-2
		DARK GREY	KEY A	5-2232263-3
		BROWN	KEY B	6-2232263-3
1*3	LEVEL A	GREEN	KEY C	7-2232263-3
		ORANGE	KEY D	8-2232263-3
		DARK GREY	KEY A	5-2232263-2
		BROWN	KEY B	6-2232263-2
1*2	LEVEL A	GREEN	KEY C	7-2232263-2
		ORANGE	KEY D	8-2232263-2
		NATURAL	KEY B	2-2232263-1
		BLACK	KEY A	1-2232263-1
1*2	LEVEL B	BLACK	KEY A	1-2232263-1

THIS DRAWING IS A CONTROLLED DOCUMENT.		OWN TOMMY WU 26MAR2013	TE Connectivity
DIMENSIONS: mm		CHK HAPYE WU 26MAR2013	
TOLERANCES UNLESS OTHERWISE SPECIFIED:		APVD YUHONG MAO 26MAR2013	NAME CAP HOUSING, PANEL MOUNT, SINGLE ROW POWER TRIPLE LOCK
0 PLC ±0.35 1 PLC ±0.25 2 PLC ±0.20 3 PLC ±0.20 4 PLC ±0.20 ANGLES ±°		PRODUCT SPEC 108-106118	
MATERIAL		APPLICATION SPEC 114-106118	RESTRICTED TO
FINISH		WEIGHT	SCALE
 		Customer Drawing	SIZE CAGE CODE DRAWING NO. A100779C=2232263 SHEET 2 OF 2 REV C

# Mouser Electronics

Authorized Distributor

Click to View Pricing, Inventory, Delivery & Lifecycle Information:

[TE Connectivity:](#)

[5-2232263-4](#)