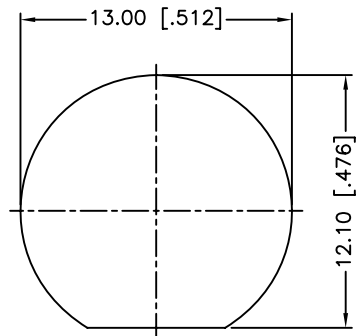
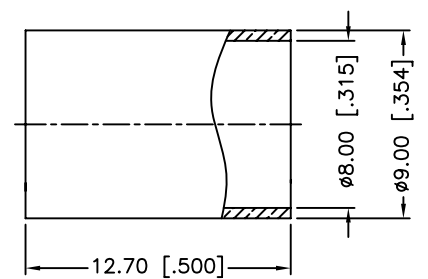
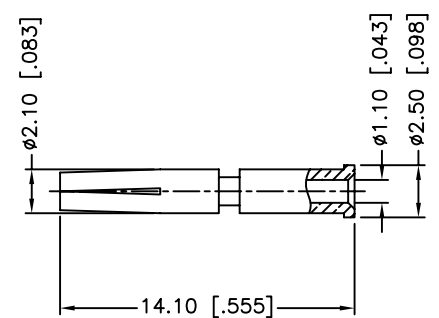
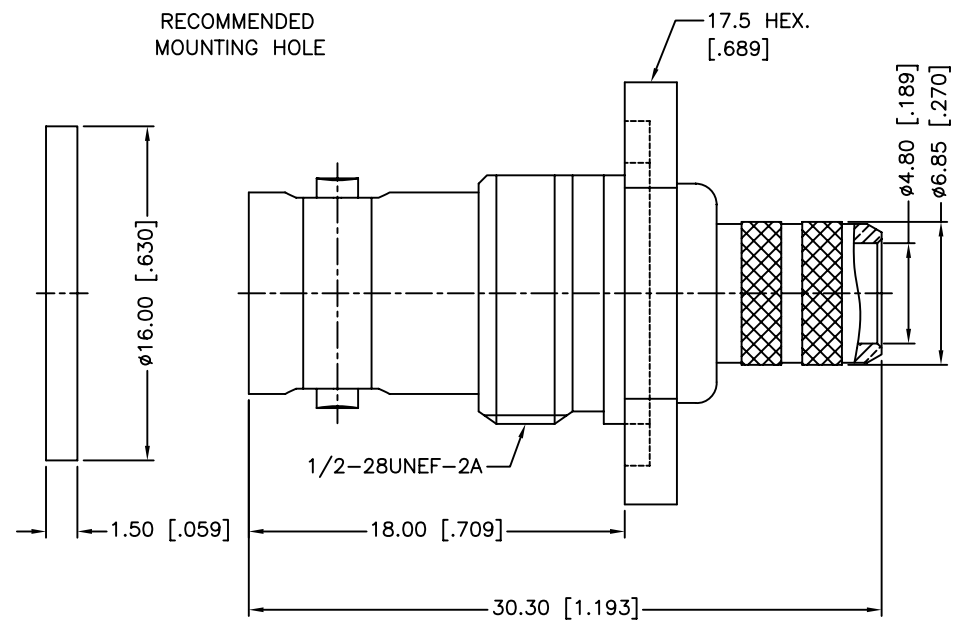
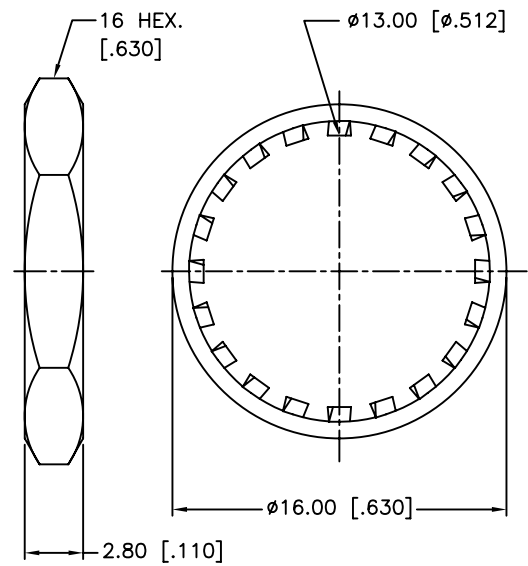


RECOMMENDED  
CABLE STRIPPING DIM'S



RECOMMENDED  
MOUNTING HOLE

REV.	DATE	ECR NO.	DESCRIPTION
NC	07/31/05	XXXXXX	INITIAL RELEASE
A	11/02/05	XXXXXX	ADD 141/U CABLE TO DESCRIPTION
B	07/30/13	2502	MODIFY DESCRIPTION, ADD ELECTRICAL & MECHANICAL NOTES; UPDATE FORMAT



1. IMPEDANCE: 75 OHM
2. FREQUENCY RANGE: 0-2 GHZ
3. VSWR: 1.3 MAX.
4. DIELECTRIC WITHSTANDING VOLTAGE: 300 VRMS, MIN.
5. DURABILITY: 500 CYCLES MIN.
6. TEMPERATURE RANGE: -65°C TO +165°C
7. CRIMPED FERRULE  
HEX. CRIMP SIZE .320"
8. CRIMPED CONTACT PIN  
HEX. CRIMP SIZE .068"
9. MAX. PANEL THICKNESS=3.5mm

QTY	DESCRIPTION	MATERIAL	FINISH
1	FERRULE	BRASS	NICKEL
1	CONTACT PIN	PHOSPHOR BRONZE	GOLD
1	HEX NUT	BRASS	NICKEL
1	LOCK WASHER	BRASS	NICKEL
1	GASKET	RUBBER	RED
1	BARREL	BRASS	NICKEL
1	INSULATOR	PTFE	NATURAL
1	BODY	BRASS	NICKEL
1	HOUSING	BRASS	NICKEL

UNLESS OTHERWISE SPECIFIED DIMENSIONS ARE IN MILLIMETERS. DIMENSIONS IN [ ] ARE IN INCHES AND FOR CUSTOMER REFERENCE ONLY.  
UNLESS OTHERWISE SPECIFIED  
TOLERANCES FOR MILLIMETERS ARE:  
 <0.5 ± 0.05mm  
 0.5 - 6mm ± 0.10mm  
 6 - 30mm ± 0.20mm  
 30 - 120mm ± 0.30mm  
 ANGLES ± 1°  
 UNLESS OTHERWISE SPECIFIED  
 TOLERANCES FOR INCHES ARE:  
 <.020 ± 0.002"  
 .020 - .236 ± 0.004"  
 .236 - 1.180 ± 0.007"  
 1.180 - 4.724 ± 0.012"  
 ANGLES ± 1°  
 DO NOT SCALE DRAWING

APPROVALS	DATE
DRAWN M.ZHANG	07/30/13
CHECKED	
ISSUED	
SHEET 1 OF 1	
CAD FILE C:/CONNEX/112732.DWG	

**Amphenol Connex**

PART DESCRIPTION  
**BNC 75 OHM BULKHEAD CRIMP JACK  
(FOR RG-6/U CABLE)**

PART NO.  
**112732**

DWG. NO. 112732.DWG    REV. B    SIZE A    SCALE NA

# Mouser Electronics

Authorized Distributor

Click to View Pricing, Inventory, Delivery & Lifecycle Information:

[Amphenol:](#)

[112732](#)