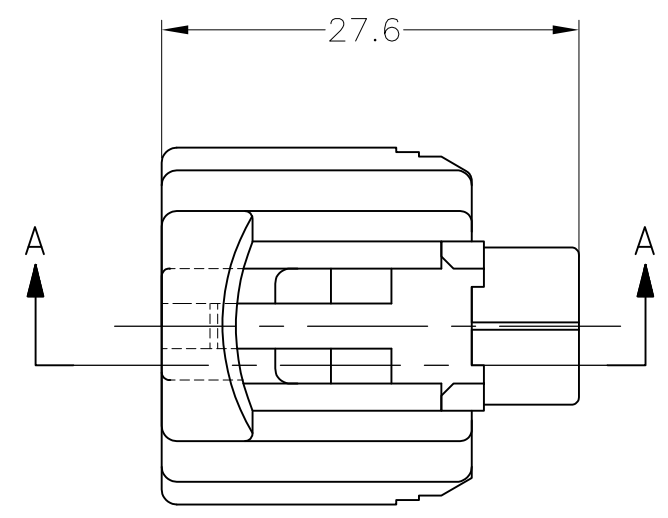
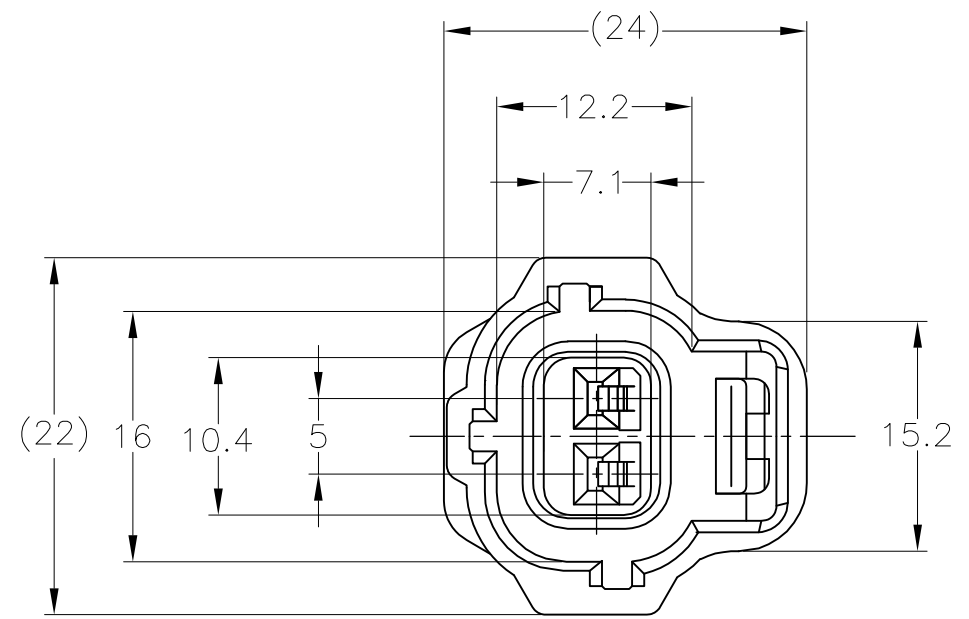


THIS DRAWING IS UNPUBLISHED. RELEASED FOR PUBLICATION
 © COPYRIGHT 2014] ALL RIGHTS RESERVED.

LOC	DIST	REVISIONS					
J	—	P	LTR	DESCRIPTION	DATE	DWN	APVD
		A		RELEASED	06AUG14	DM	TK

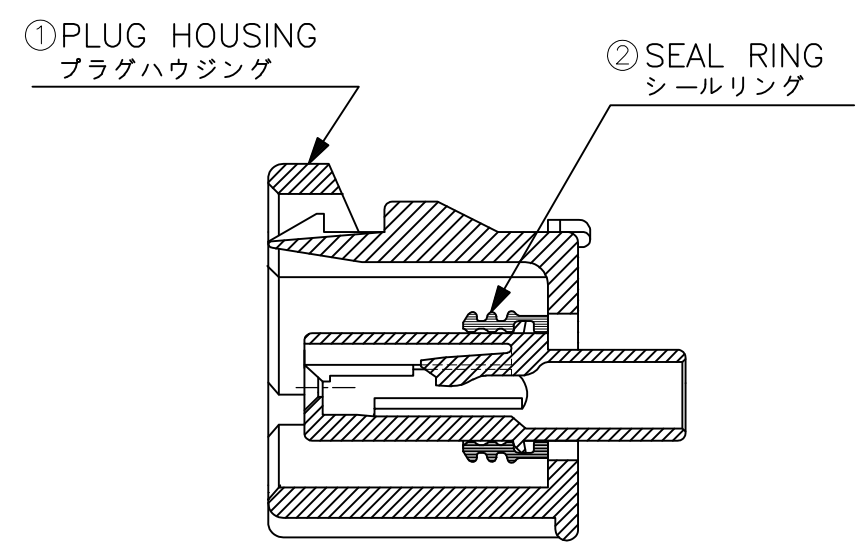


注;

- 1 本品はプラグハウジング単体とNBR製シールリングから構成されている。
- 2 適用端子番：下表による。

コンタクト 型番	適用電線	被覆外径
171630	AVS 0.2~AV 0.5	φ1.4~φ2.4
171662	AVS 0.5~1.25	φ2~φ2.6

③ シールリングはフタル酸フリー品である。



NOTE;

- 1 THIS PRODUCT CONSISTS OF A PLUG HOUSING AND A SEAL RING WHICH IS MADE OF NBR
- 2 APPLIED CONTACT ;

CONTACT PN	WIRE RANGE	INSULATION DIA
171630	AVS 0.2~AV 0.5	φ1.4~φ2.4
171662	AVS 0.5~1.25	φ2~φ2.6

③ SEAL RING IS NON-BIS TYPE

A-A

NBR ^③ /BLACK	PBT/DARK GREEN	2822362-4
NBR ^③ /BLACK	PBT/GRAY	2822362-3
NBR ^③ /BLACK	PBT/GREEN	2822362-2
NBR ^③ /BLACK	PBT/BROWN	2822362-1
② SEAL RING	① PLUG HOUSING	PART NUMBER
MATERIAL / COLOR		

TOLERANCE UNLESS OTHERWISE SPECIFIED:
一般公差

0 < x ≤ 10	: ±0.2
10 < x ≤ 30	: ±0.25
30 < x ≤ 100	: ±0.3
ANGLE : 角度	: ±3°

THIS DRAWING IS A CONTROLLED DOCUMENT.		DWN D.MATSUURA 06AUG2014	TE Connectivity																
DIMENSIONS: mm		CHK S.IWATANI 06AUG2014																	
TOLERANCES UNLESS OTHERWISE SPECIFIED:		APVD T.KOHNO 06AUG2014	NAME																
<table border="1"> <tr><td>0 PLC</td><td>± -</td></tr> <tr><td>1 PLC</td><td>± -</td></tr> <tr><td>2 PLC</td><td>± -</td></tr> <tr><td>3 PLC</td><td>± -</td></tr> <tr><td>4 PLC</td><td>± -</td></tr> <tr><td>ANGLES</td><td>± -</td></tr> <tr><td>FINISH</td><td>-</td></tr> </table>		0 PLC	± -	1 PLC	± -	2 PLC	± -	3 PLC	± -	4 PLC	± -	ANGLES	± -	FINISH	-	PRODUCT SPEC 108-5262	070 SERIES EJ-2 CONNECTOR 2 POSITION PLUG HOUSING KEY D		
0 PLC	± -																		
1 PLC	± -																		
2 PLC	± -																		
3 PLC	± -																		
4 PLC	± -																		
ANGLES	± -																		
FINISH	-																		
MATERIAL SEE TABLE		APPLICATION SPEC -	SIZE	CAGE CODE	DRAWING NO	RESTRICTED TO													
		WEIGHT 5.3 g	A3	00779	C-2822362	-													
CUSTOMER DRAWING			SCALE 2:1	SHEET 1 OF 1	REV A														

Mouser Electronics

Authorized Distributor

Click to View Pricing, Inventory, Delivery & Lifecycle Information:

[TE Connectivity:](#)

[2822362-1](#)