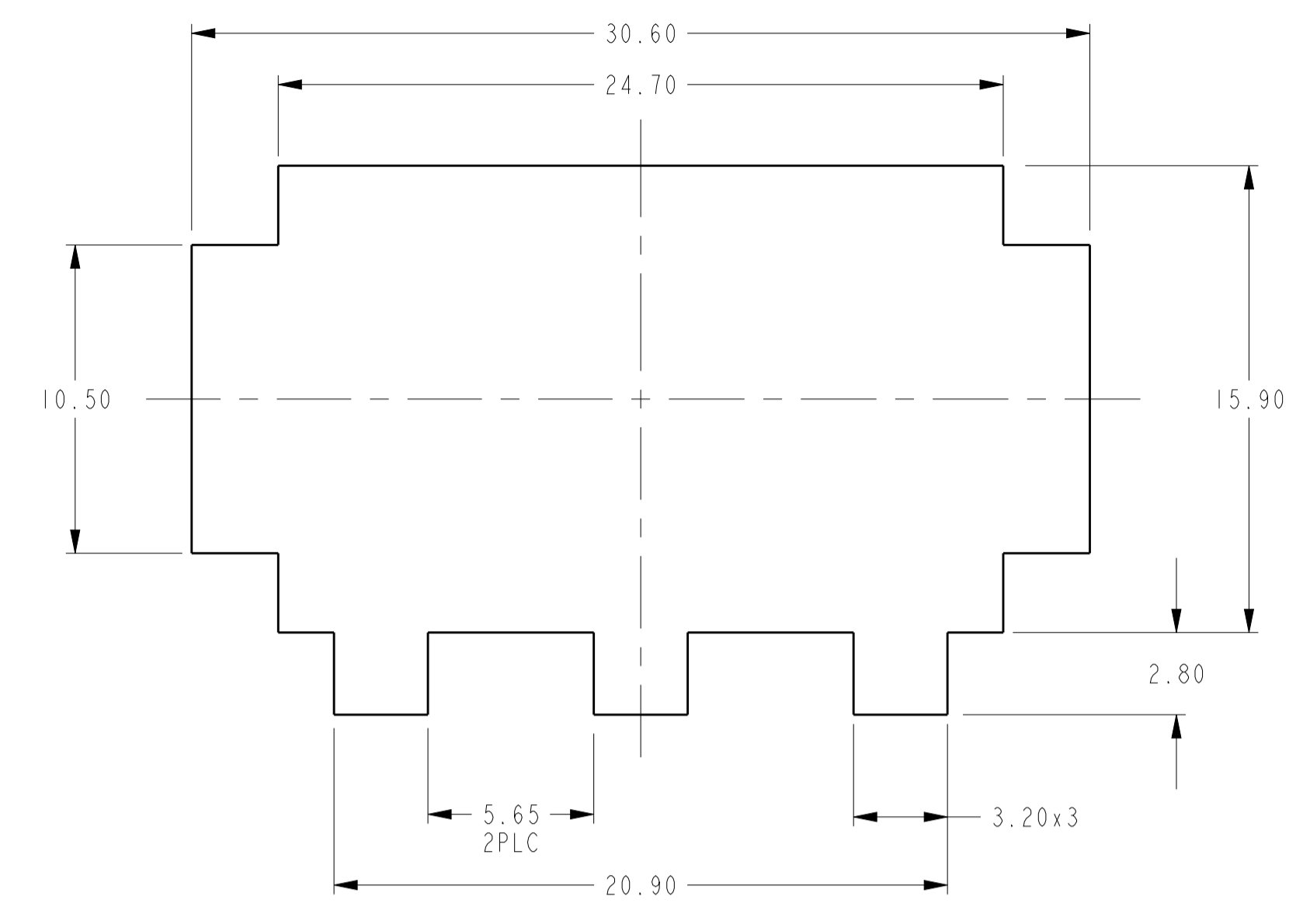
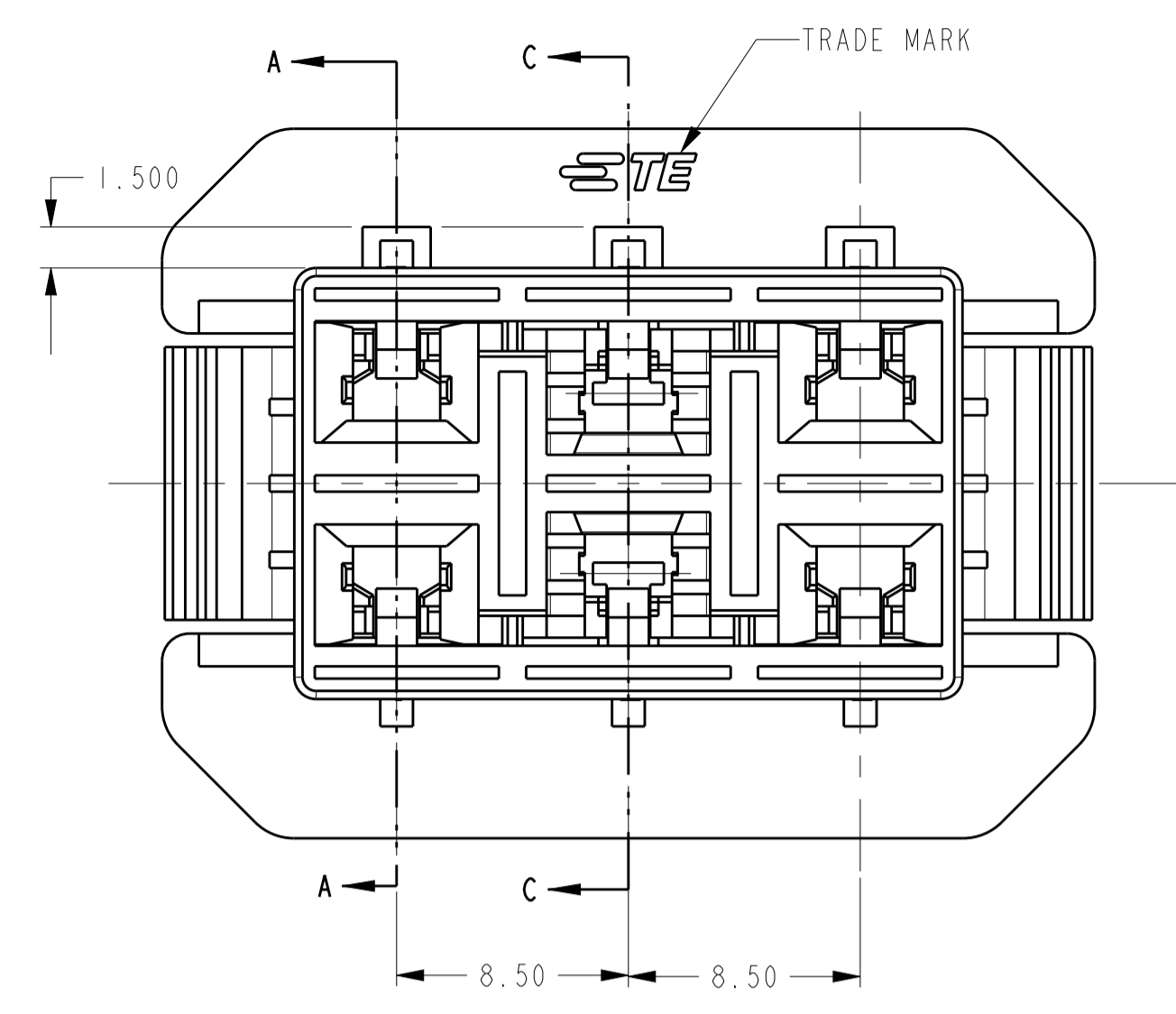
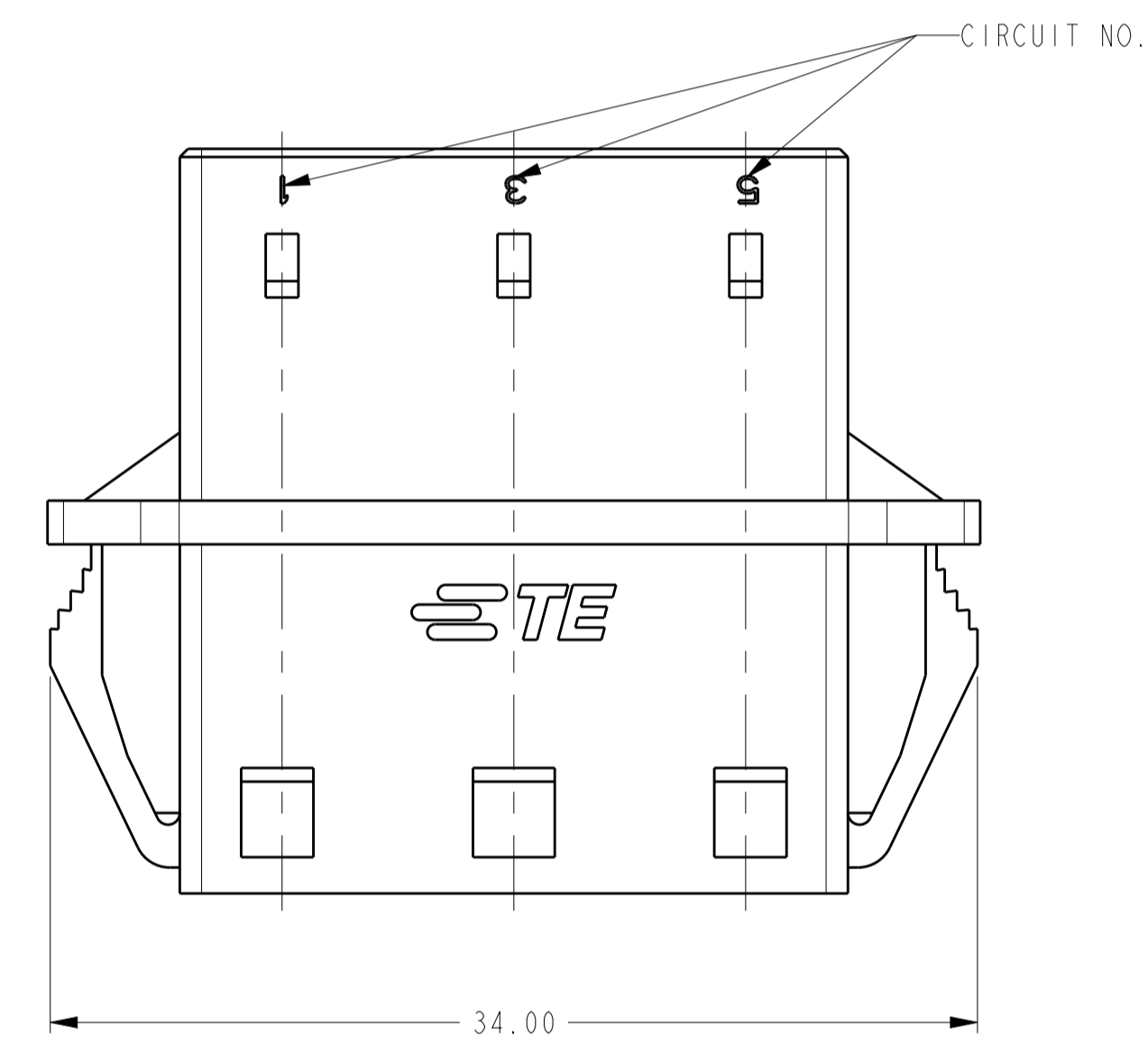
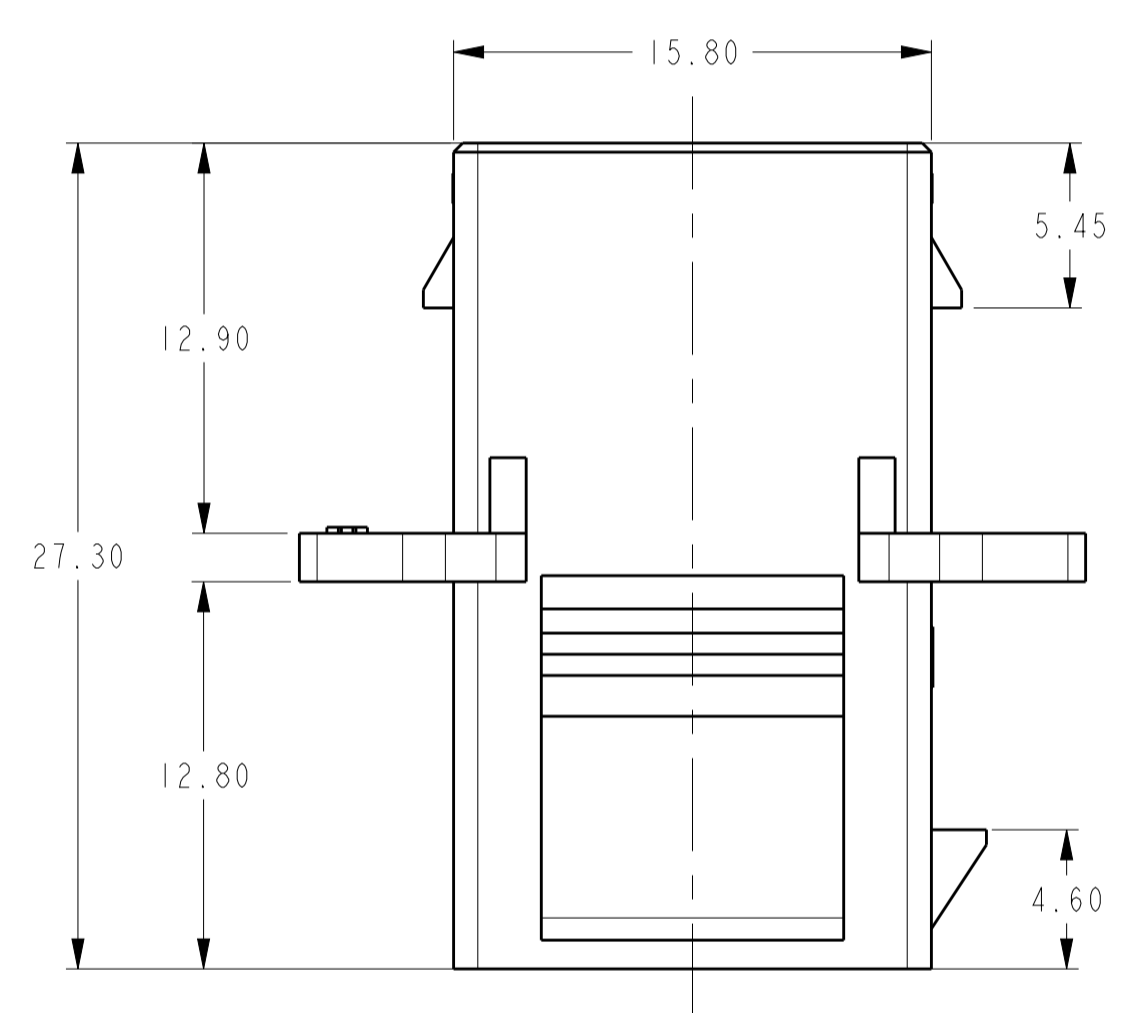


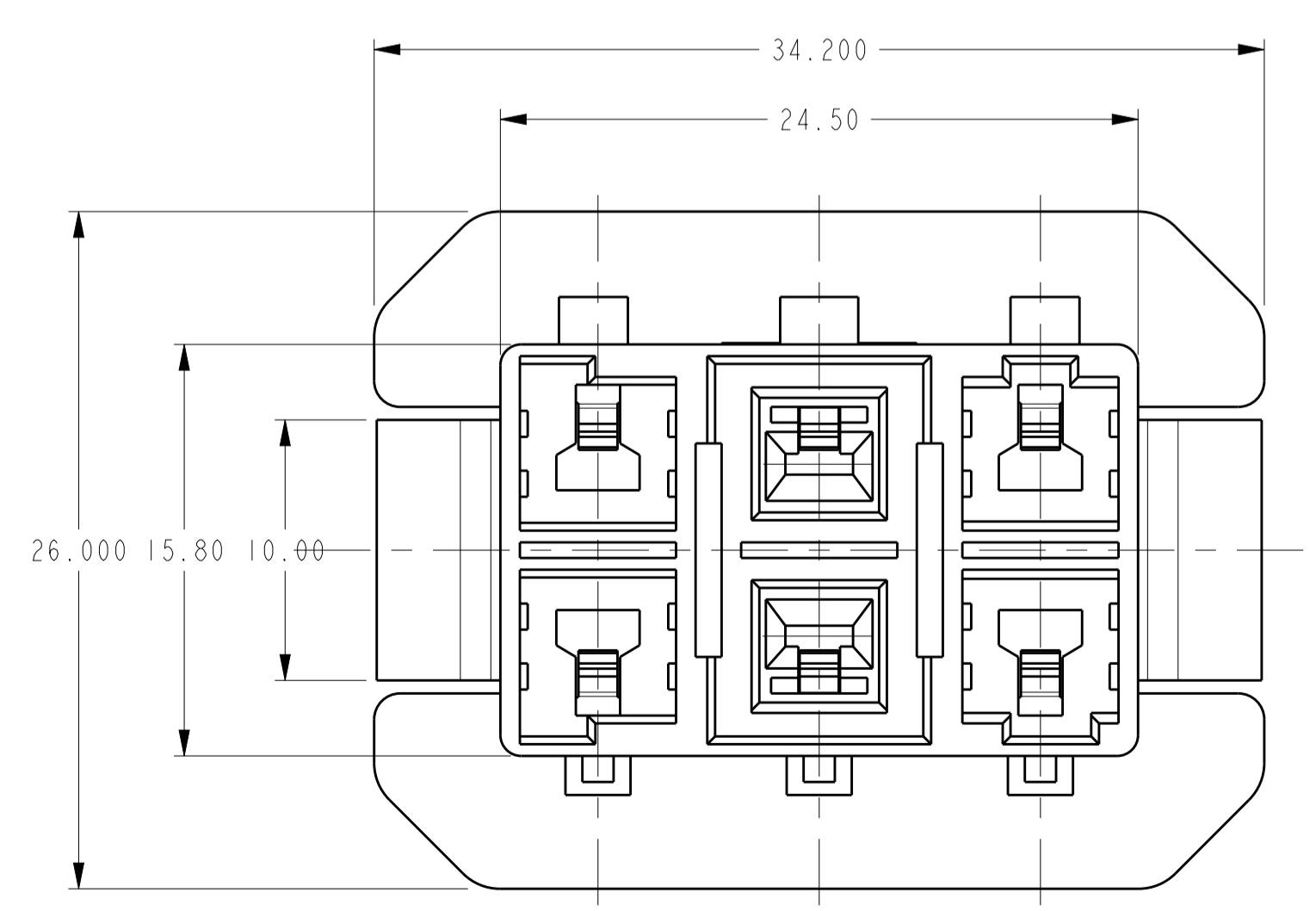
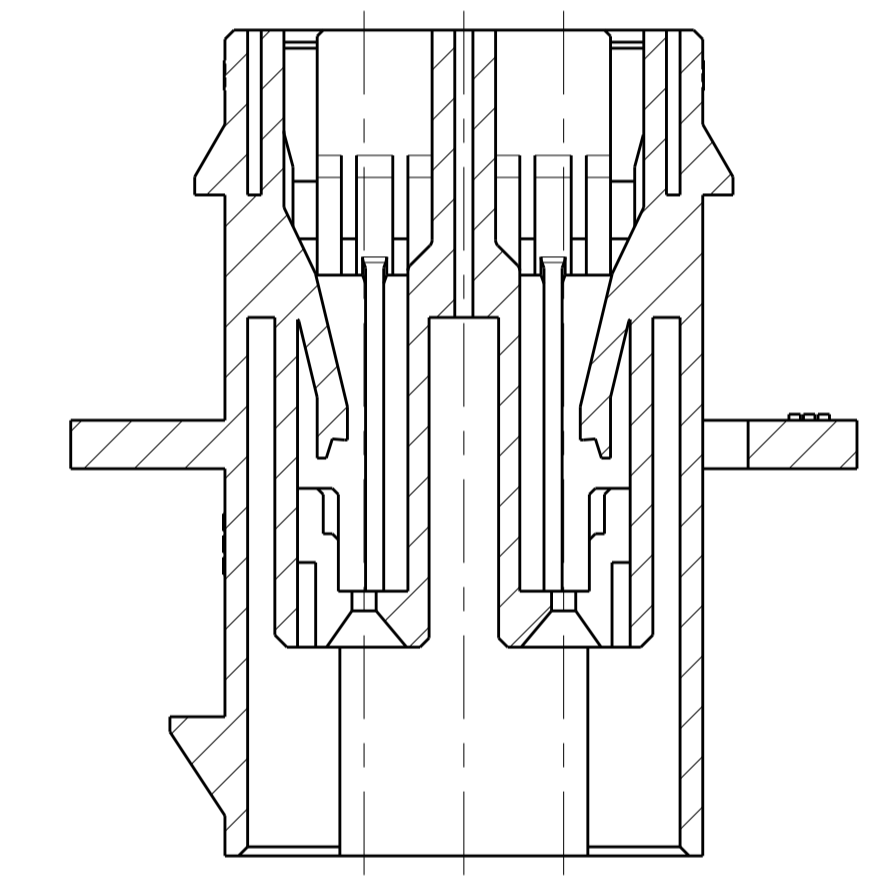
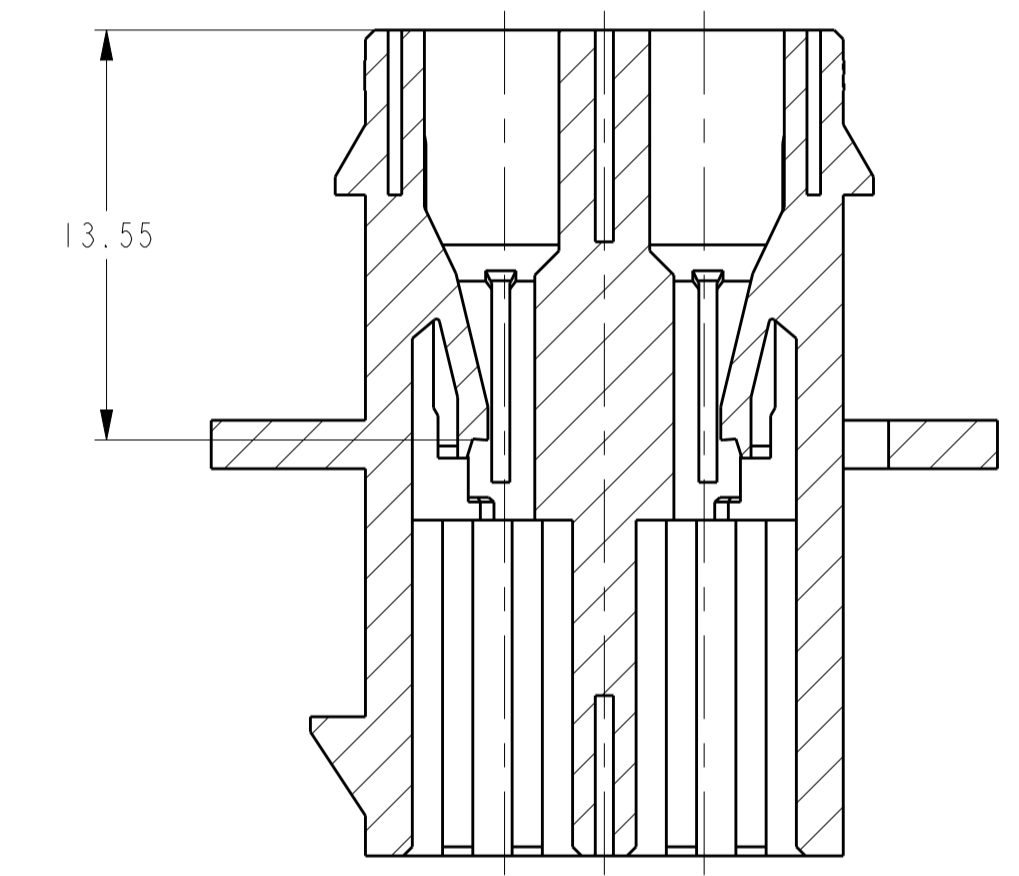
REVISONS		DATE	DWN	APVD
A	RELEASED	17AUG2011	R.C	E.K
A1	ADD "GWT REQUIREMENTS" IN NOTE 7.	11OCT2012	DZ	YH.M
A2	REVISED PER ECR-17-012469	25AUG2017	N.L	D.Z



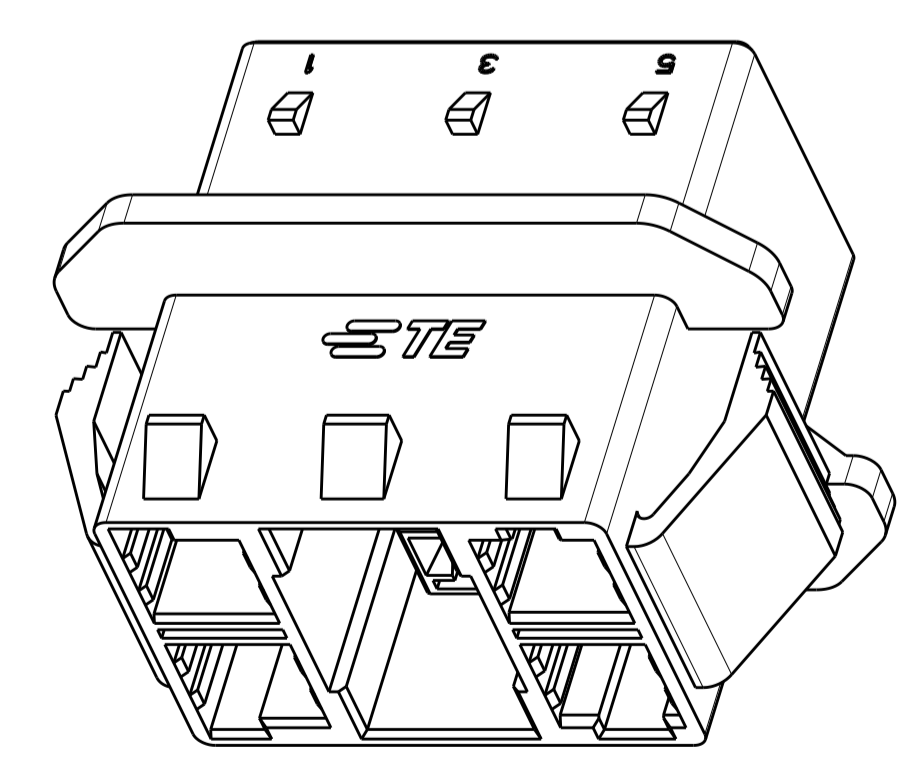
RECOMMENDED PANEL OPENING DIMENSIONS
 (TOLERANCE: ±0.05mm)



CONN. INSERTION DIRECTION FOR PANEL



- NOTE**
- MATERIAL: THERMOPLASTIC, UL94 V-0, COLOR: NATURAL
 - PRODUCT SPEC: 108-106071
 - APPLICABLE CONTACT P/N:
 TAB CONTACT: 1983661/2-1 FOR CIRCUIT NO. 1, 2, 5, 6.
 REC CONTACT: 1983663/4-1 FOR CIRCUIT NO. 3, 4
 - MATING CONN. P/N:
 HSG: 1983660-1(2P), 1983659-1(4P)
 - APPLICABLE DOUBLE LOCK PLATE P/N: 1983667-1
 - APPLICABLE PANEL THICKNESS: 1.2mm
 - PRODUCT COMPLY WITH GLOW WIRE REQUIREMENTS FOR PARTS OF NON-METALLIC MATERIAL SUPPORTING A CURRENT-CARRYING CONNECTION DETAILED IN IEC 60335-1, SECTION 30 (GWT).



THIS DRAWING IS A CONTROLLED DOCUMENT.		DWN: RICHARD CHEN 19AUG2011	PART NUMBER 1983658-1	
DIMENSIONS: mm		CHK: HAPYE WU 19AUG2011	STE TE Connectivity	
TOLERANCES UNLESS OTHERWISE SPECIFIED:		APVD: ERIC KONG 19AUG2011	NAME	
0 PLC	±	PRODUCT SPEC	MULTI 6P CONNECTOR	
1 PLC	±0.30	APPLICATION SPEC	-	
2 PLC	±	SIZE	CAGE CODE	DRAWING NO
3 PLC	±	114-106071	00779	1983658
4 PLC	±	WEIGHT	RESTRICTED TO	
ANGLES	±2°	CUSTOMER DRAWING	SCALE	N/A
MATERIAL	FINISH	SHEET 1 OF 1		REV A2

Mouser Electronics

Authorized Distributor

Click to View Pricing, Inventory, Delivery & Lifecycle Information:

[TE Connectivity:](#)

[1983658-1](#)