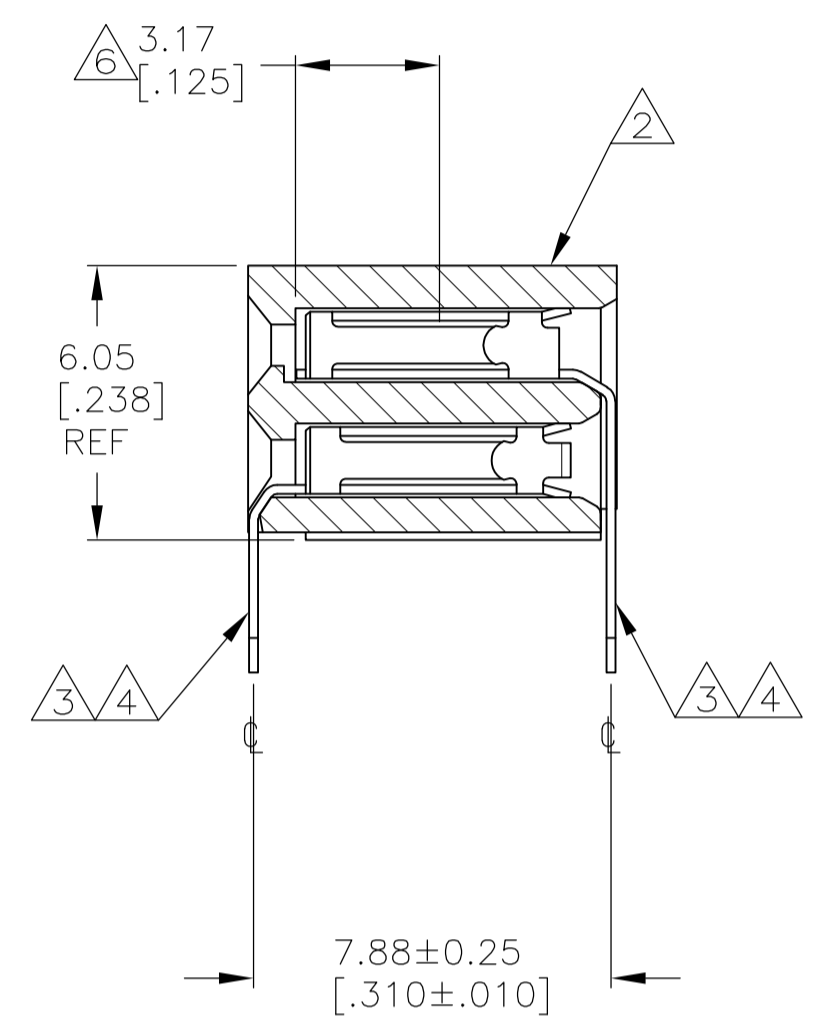


RECOMMENDED P.C. BOARD HOLE LAYOUT



- 11 CONTACT FINISH: DUPLEX PLATED 0.00038 [.000015] GOLD IN CONTACT AREA, 0.00127-0.00254 [.000050-.000100] MATTE TIN ON SOLDER TAILS, ALL OVER 0.00127 [.000050] NICKEL.
- 12 RECESSED AREA AROUND MOLD GATE IS OPTIONAL. THIS FEATURE IS ALLOWABLE ON EITHER SIDE OF HOUSING OR MAY NOT BE PRESENT AT ALL.
- 13 OBSOLETE PARTS: OBSOLETE CIS STREAMLINING PER D.RENAUD/D.SINISI

13	19.25 [.758]	4	10	108-532955-1
	34.49 [1.358]	10	22	108-532955-0
	47.19 [1.858]	15	32	107-532955-9
	235.15 [9.258]	89	180	107-532955-8
	209.75 [8.258]	79	160	107-532955-7
	125.93 [4.958]	46	94	107-532955-6
	24.33 [.958]	6	14	107-532955-5
	62.43 [2.458]	21	44	107-532955-4
13	260.55 [10.258]	99	200	107-532955-3
	194.51 [7.658]	73	148	107-532955-2
	184.35 [7.258]	69	140	107-532955-1
	171.65 [6.758]	64	130	107-532955-0
13	169.11 [6.658]	63	128	106-532955-9
	158.95 [6.258]	59	120	106-532955-8
13	146.25 [5.758]	54	110	106-532955-7
	133.55 [5.258]	49	100	106-532955-6
13	128.47 [5.058]	47	96	106-532955-5
13	120.85 [4.758]	44	90	106-532955-4
13	113.23 [4.558]	42	86	106-532955-3
	108.15 [4.258]	39	80	106-532955-2
13	97.99 [3.858]	35	72	106-532955-1
	95.45 [3.758]	34	70	106-532955-0
	82.75 [3.258]	29	60	105-532955-9
	70.05 [2.758]	24	50	105-532955-8
	57.35 [2.258]	19	40	105-532955-7
	52.27 [2.058]	17	36	105-532955-6
	44.65 [1.758]	14	30	105-532955-5
	37.03 [1.458]	11	24	105-532955-4
	31.95 [1.258]	9	20	105-532955-3
13	26.87 [1.058]	7	16	105-532955-2
	21.79 [.858]	5	12	105-532955-1
FINISH	B	A	NO OF POSN	PART NUMBER

10	21.79 [.858]	5	12	3-532955-2
	19.25 [.758]	4	10	3-532955-1
OBSOLETE	34.49 [1.358]	10	22	3-532955-0
13	47.19 [1.858]	15	32	2-532955-9
OBSOLETE	235.15 [9.258]	89	180	2-532955-8
OBSOLETE	209.75 [8.258]	79	160	2-532955-7
OBSOLETE	125.93 [4.958]	46	94	2-532955-6
	24.33 [.958]	6	14	2-532955-5
OBSOLETE	62.43 [2.458]	21	44	2-532955-4
13	260.55 [10.258]	99	200	2-532955-3
OBSOLETE	194.51 [7.658]	73	148	2-532955-2
OBSOLETE	184.35 [7.258]	69	140	2-532955-1
13	171.65 [6.758]	64	130	2-532955-0
OBSOLETE	169.11 [6.658]	63	128	1-532955-9
	158.95 [6.258]	59	120	1-532955-8
	146.25 [5.758]	54	110	1-532955-7
	133.55 [5.258]	49	100	1-532955-6
13	128.47 [5.058]	47	96	1-532955-5
13	120.85 [4.758]	44	90	1-532955-4
13	113.23 [4.558]	42	86	1-532955-3
	108.15 [4.258]	39	80	1-532955-2
13	97.99 [3.858]	35	72	1-532955-1
	95.45 [3.758]	34	70	1-532955-0
	82.75 [3.258]	29	60	532955-9
	70.05 [2.758]	24	50	532955-8
	57.35 [2.258]	19	40	532955-7
	52.27 [2.058]	17	36	532955-6
	44.65 [1.758]	14	30	532955-5
	37.03 [1.458]	11	24	532955-4
	31.95 [1.258]	9	20	532955-3
OBSOLETE	26.87 [1.058]	7	16	532955-2
	21.79 [.858]	5	12	532955-1
FINISH	B	A	NO OF POSN	PART NUMBER

- 1 "AMP", "CSA", "▼" AND "DATE CODE" WITH .062 ±.015 HIGH CHARACTERS WHERE SIZE PERMITS.
- 2 HOUSING: 1-70 POSITION SIZES MAY BE PPS, GLASS-FILLED OR PCT, GLASS-FILLED. POSITION SIZES GREATER THAN 70 WILL BE PPS, GLASS-FILLED.
- 3 CONTACT: PHOSPHOR BRONZE.
- 4 CONTACT FINISH: DUPLEX PLATED 0.00038 [.000015] GOLD IN CONTACT AREA, 0.00127-0.00254 [.000050-.000100] BRIGHT TIN-LEAD ON SOLDER TAILS, ALL OVER 0.00127 [.000050] NICKEL.
- 5 THESE DIMENSIONS PERTAIN TO CAVITY C'S ONLY, NOT TO CONTACT LOCATIONS.
- 6 POINT OF MEASUREMENT FOR PLATING THICKNESS (INSIDE CONTACT BEAMS).
- 7 CSA LOGO INK STAMPED WHITE ON HOUSING.
- 8 CONTACT FINISH: DUPLEX PLATED 0.00038 [.000015] GOLD IN CONTACT AREA, 0.00127-0.00254 [.000050-.000100] BRIGHT TIN ON SOLDER TAILS, ALL OVER 0.00127 [.000050] NICKEL.
- 9 SUPERSEDED BY 5-532955-1.
- 10 ROHS 2002/95/EC COMPLIANT

THIS DRAWING IS A CONTROLLED DOCUMENT. **STE** TE Connectivity
 DIMENSIONS: mm [INCHES] TOLERANCES UNLESS OTHERWISE SPECIFIED:
 0 PLC ± -
 1 PLC ± -
 2 PLC ± 0.13 [.005]
 3 PLC ± -
 4 PLC ± -
 ANGLES ± -
 MATERIAL FINISH SEE TABLE
 THIS DRAWING IS A CONTROLLED DOCUMENT. **STE** TE Connectivity
 DIMENSIONS: mm [INCHES] TOLERANCES UNLESS OTHERWISE SPECIFIED:
 0 PLC ± -
 1 PLC ± -
 2 PLC ± 0.13 [.005]
 3 PLC ± -
 4 PLC ± -
 ANGLES ± -
 MATERIAL FINISH SEE TABLE
 PRODUCT SPEC: RECEPTACLE ASSY, MOD II, DBL ROW, 2.54 X 2.54 [.100 X .100] CL, GUIDE PIN EARS, CLOSED ENTRY.
 SIZE: A1
 CAGE CODE: 00779
 DRAWING NO: 532955
 RESTRICTED TO: -
 CUSTOMER DRAWING SCALE: 6:1 SHEET: 1 OF 1 REV: T4

Mouser Electronics

Authorized Distributor

Click to View Pricing, Inventory, Delivery & Lifecycle Information:

[TE Connectivity:](#)

[532955-6](#)