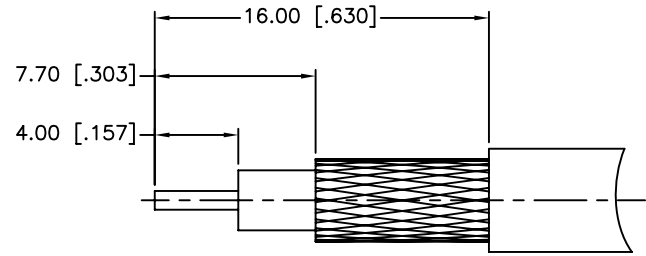
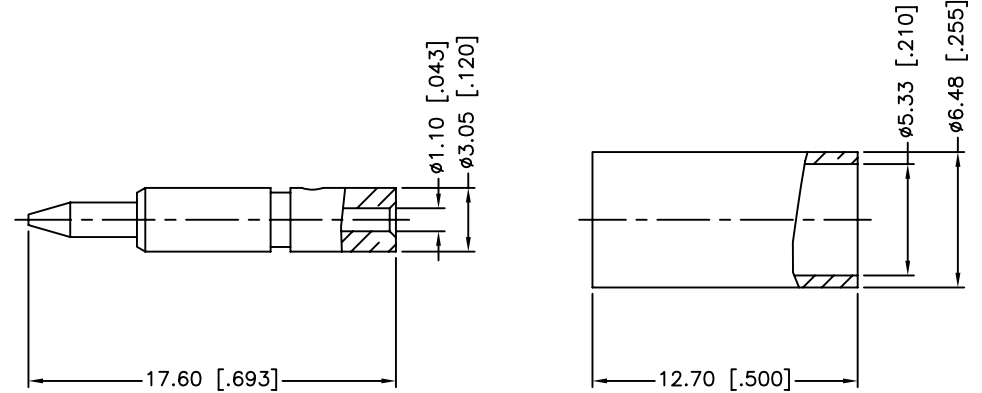
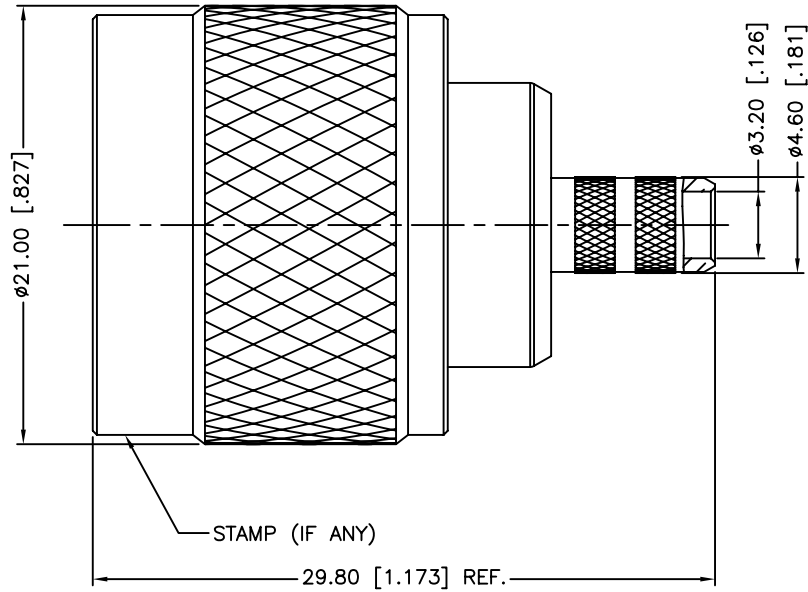
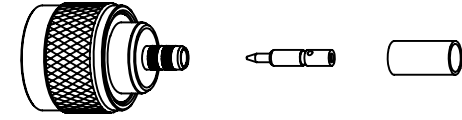


| REV. | DATE | ECR NO. | DESCRIPTION |
|------|----------|---------|-------------|
| A | 02/02/12 | 2277 | ADD NOTES |



RECOMMENDED
CABLE STRIPPING DIM'S



1. IMPEDANCE: 50 OHM
2. FREQUENCY RANGE: DC-11 GHz
3. VSWR: 1.3 MAX. @ 0 - 11 GHz
4. DIELECTRIC WITHSTANDING VOLTAGE: 2500 VRMS, MIN.
5. DURABILITY: 500 CYCLES MIN.
6. TEMPERATURE RANGE: -65°C TO +165°C
7. CRIMPED FERRULE:
HEX. CRIMP SIZE .213"
8. CRIMPED CONTACT PIN OR SOLDER
HEX. CRIMP SIZE .100"

| | | | | |
|---|---------------|----------|---------|-----|
| 8 | FERRULE | COPPER | NEXCOTE | 1 |
| 7 | CONTACT PIN | BRASS | GOLD | 1 |
| 6 | RETAINER RING | SUS 304 | NATURAL | 1 |
| 5 | GASKET | SILICONE | RED | 1 |
| 4 | INSULATOR | PTFE | NATURAL | 1 |
| 3 | BARREL | BRASS | NEXCOTE | 1 |
| 2 | BODY | BRASS | NEXCOTE | 1 |
| 1 | SHELL | BRASS | NEXCOTE | 1 |
| | DESCRIPTION | MATERIAL | FINISH | QTY |

UNLESS OTHERWISE SPECIFIED DIMENSIONS ARE IN MILLIMETERS. DIMENSIONS IN [] ARE IN INCHES AND FOR CUSTOMER REFERENCE ONLY.

UNLESS OTHERWISE SPECIFIED TOLERANCES FOR MILLIMETERS ARE:
0.5 - 8mm ± 0.20mm
8 - 30mm ± 0.40mm
30 - 120mm ± 0.50mm

UNLESS OTHERWISE SPECIFIED TOLERANCES FOR INCHES ARE:
.020 - .315 = ± 0.007"
.315 - 1.180 = ± 0.015"
1.180 - 4.724 = ± 0.020"

DO NOT SCALE DRAWING

| APPROVALS | | DATE |
|-----------|----------------------|----------|
| DRAWN | M.ZHANG | 02/02/12 |
| CHECKED | | |
| ISSUED | | |
| SHEET | 1 OF 1 | |
| CAD FILE | C:/CONNEX/172100.DWG | |

Amphenol Connex

PART DESCRIPTION
**N CRIMP PLUG
(FOR RG-58C/U CABLE)**

PART NO.
172100

| | | | | | | | |
|----------|------------|------|---|------|---|-------|----|
| DWG. NO. | 172100.DWG | REV. | A | SIZE | A | SCALE | NA |
|----------|------------|------|---|------|---|-------|----|

Mouser Electronics

Authorized Distributor

Click to View Pricing, Inventory, Delivery & Lifecycle Information:

[Amphenol:](#)

[172100-10](#)