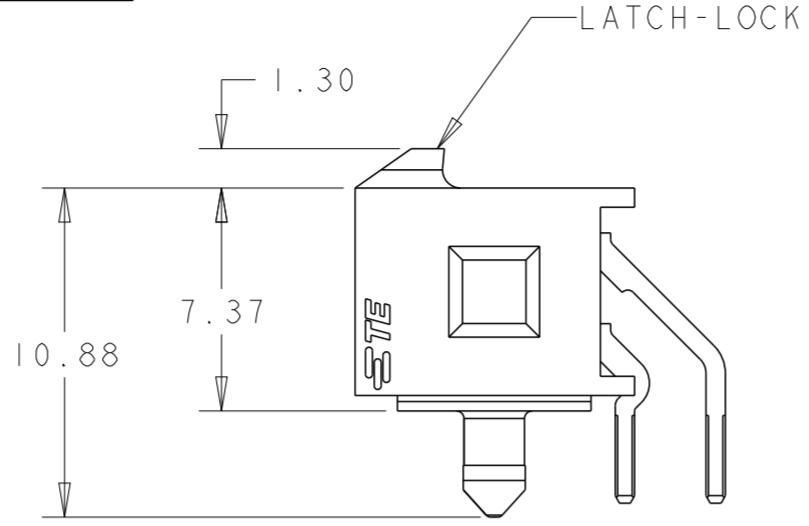
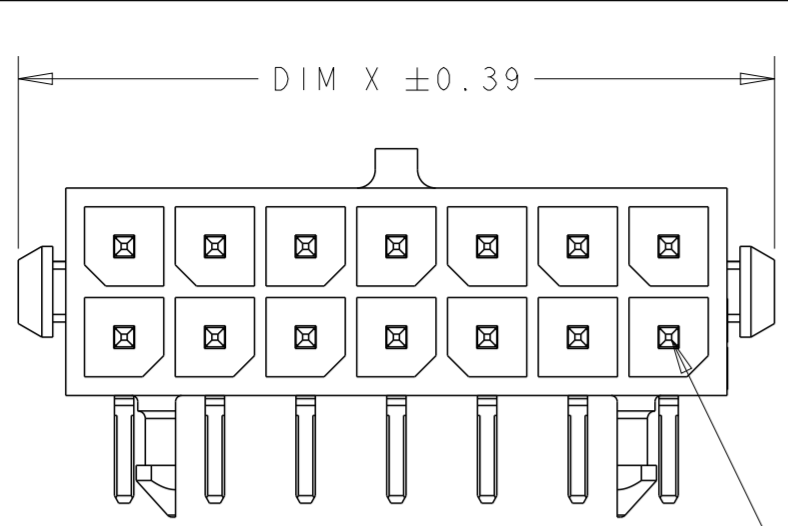


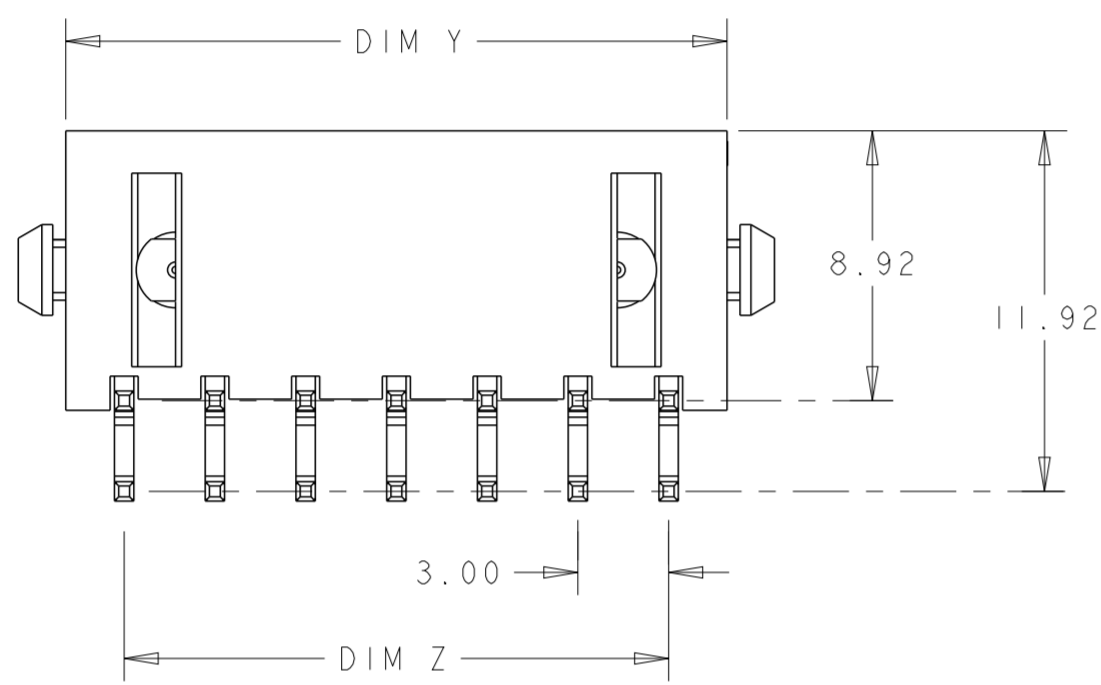
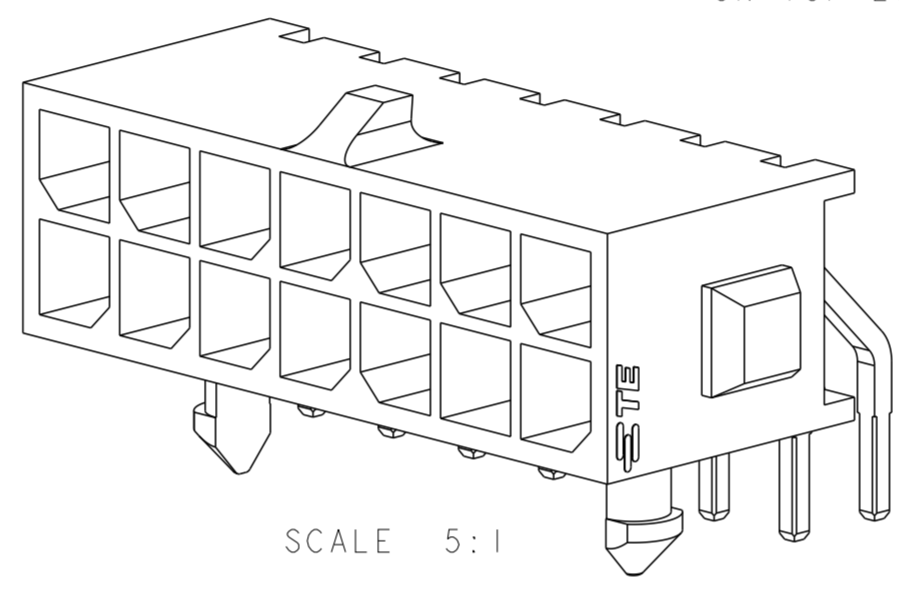
THIS DRAWING IS UNPUBLISHED. RELEASED FOR PUBLICATION 20  
 © COPYRIGHT 20 BY - ALL RIGHTS RESERVED.

REVISIONS					
P	LTR	DESCRIPTION	DATE	DWN	APVD
	G1	REVISED PER ECR-16-011494	21JUN2017	NK	CX

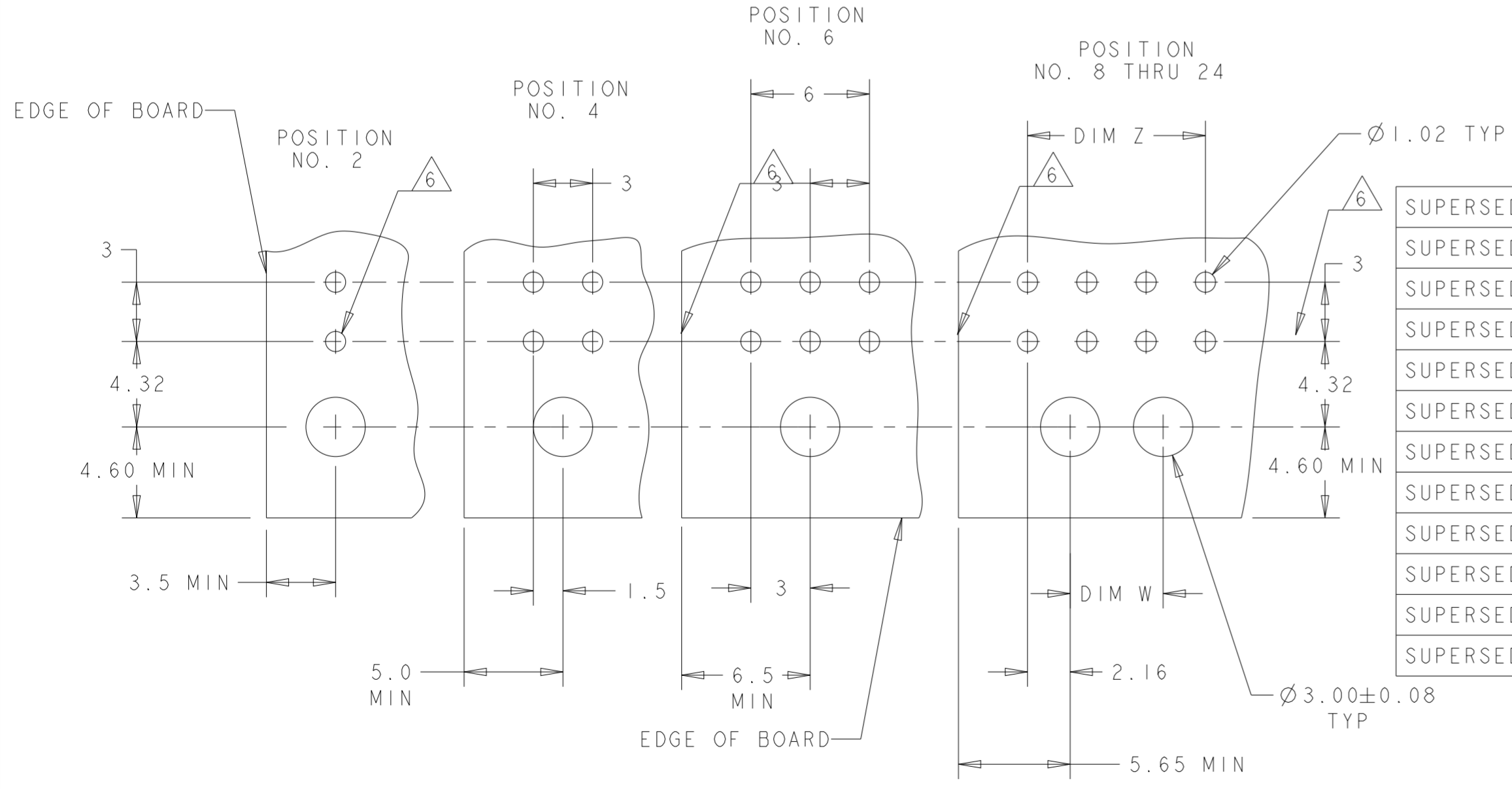


- 1 MATERIAL; CONTACTS - BRASS.  
UL 94V-0 RATED HIGH TEMP NYLON, COLOR; BLACK.
- 2 PLATING; CONTACTS - 0.76µm MINIMUM GOLD OVER 2.54µm MINIMUM NICKEL ON MATING AREA.  
2.54µm TIN-LEAD MINIMUM OVER 2.54µm NICKEL MINIMUM ON SOLDER TAILS.
- 4 RECOMMENDED PC BOARD THICKNESS OF 1.57.
- 5 PLATING; CONTACTS - 0.76µm MINIMUM GOLD OVER 2.54µm MINIMUM NICKEL ON MATING AREA.  
2.54µm MATTE TIN MINIMUM OVER 2.54µm NICKEL MINIMUM ON SOLDER TAILS.
- 6 CIRCUIT NUMBER 1 IS LOCATED AT THE BOTTOM RIGHT WITH THE LATCH-LOCK ON TOP LOOKING INTO THE CAVITIES

UNREEL DIRECTION OF REVERSE TAPED



REVERSE TAPED	5	18.86	10.70	15.00	22.00	12	7-794620-2
TRAY	5	36.86	28.70	33.00	40.00	24	5-794620-4
TRAY	5	33.86	25.70	30.00	37.00	22	5-794620-2
TRAY	5	30.86	22.70	27.00	34.00	20	5-794620-0
TRAY	5	27.86	19.70	24.00	31.00	18	4-794620-8
TRAY	5	24.86	16.70	21.00	28.00	16	4-794620-6
TRAY	5	21.86	13.70	18.00	25.00	14	4-794620-4
TRAY	5	18.86	10.70	15.00	22.00	12	4-794620-2
TRAY	5	15.86	7.70	12.00	19.00	10	4-794620-0
TRAY	5	12.86	4.70	9.00	16.00	8	3-794620-8
TRAY	5	9.86	-	6.00	13.00	6	3-794620-6
TRAY	5	6.86	-	3.00	10.00	4	3-794620-4
TRAY	5	3.86	-	-	7.00	2	3-794620-2
<del>SUPERSEDED BY 5-794620-4</del>	<del>2</del>	<del>36.86</del>	<del>28.70</del>	<del>33.00</del>	<del>40.00</del>	<del>24</del>	<del>2-794620-4</del>
<del>SUPERSEDED BY 5-794620-2</del>	<del>2</del>	<del>33.86</del>	<del>25.70</del>	<del>30.00</del>	<del>37.00</del>	<del>22</del>	<del>2-794620-2</del>
<del>SUPERSEDED BY 5-794620-0</del>	<del>2</del>	<del>30.86</del>	<del>22.70</del>	<del>27.00</del>	<del>34.00</del>	<del>20</del>	<del>2-794620-0</del>
<del>SUPERSEDED BY 4-794620-8</del>	<del>2</del>	<del>27.86</del>	<del>19.70</del>	<del>24.00</del>	<del>31.00</del>	<del>18</del>	<del>1-794620-8</del>
<del>SUPERSEDED BY 4-794620-6</del>	<del>2</del>	<del>24.86</del>	<del>16.70</del>	<del>21.00</del>	<del>28.00</del>	<del>16</del>	<del>1-794620-6</del>
<del>SUPERSEDED BY 4-794620-4</del>	<del>2</del>	<del>21.86</del>	<del>13.70</del>	<del>18.00</del>	<del>25.00</del>	<del>14</del>	<del>1-794620-4</del>
<del>SUPERSEDED BY 4-794620-2</del>	<del>2</del>	<del>18.86</del>	<del>10.70</del>	<del>15.00</del>	<del>22.00</del>	<del>12</del>	<del>1-794620-2</del>
<del>SUPERSEDED BY 4-794620-0</del>	<del>2</del>	<del>15.86</del>	<del>7.70</del>	<del>12.00</del>	<del>19.00</del>	<del>10</del>	<del>1-794620-0</del>
<del>SUPERSEDED BY 3-794620-8</del>	<del>2</del>	<del>12.86</del>	<del>4.70</del>	<del>9.00</del>	<del>16.00</del>	<del>8</del>	<del>794620-8</del>
<del>SUPERSEDED BY 3-794620-6</del>	<del>2</del>	<del>9.86</del>	<del>-</del>	<del>6.00</del>	<del>13.00</del>	<del>6</del>	<del>794620-6</del>
<del>SUPERSEDED BY 3-794620-4</del>	<del>2</del>	<del>6.86</del>	<del>-</del>	<del>3.00</del>	<del>10.00</del>	<del>4</del>	<del>794620-4</del>
<del>SUPERSEDED BY 3-794620-2</del>	<del>2</del>	<del>3.86</del>	<del>-</del>	<del>-</del>	<del>7.00</del>	<del>2</del>	<del>794620-2</del>
PACKAGE	FINISH	DIM Y	DIM W	DIM Z	DIM X	NO. OF POSN.	PART NUMBER



RECOMMENDED PCB LAYOUT (COMPONENT SIDE) 4

THIS DRAWING IS A CONTROLLED DOCUMENT.

DWN: B. HAYMAKER 12AUG99  
 CHK: K. COBLE 12AUG99  
 APVD: K. COBLE 12AUG99

TE Connectivity

NAME: THRU-HOLE, R/A, 30 GOLD HEADER, PLASTIC BOARDLOCK, DUAL ROW, MICRO MATE-N-LOK™

SIZE: A2 CAGE CODE: 0779 DRAWING NO: C-794620 RESTRICTED TO: -

MATERIAL: SEE TABLE

PRODUCT SPEC: -  
 APPLICATION SPEC: -  
 WEIGHT: -

CUSTOMER DRAWING SCALE: 4:1 SHEET: 1 OF 1 REV: G1

# Mouser Electronics

Authorized Distributor

Click to View Pricing, Inventory, Delivery & Lifecycle Information:

[TE Connectivity:](#)

[3-794620-4](#)