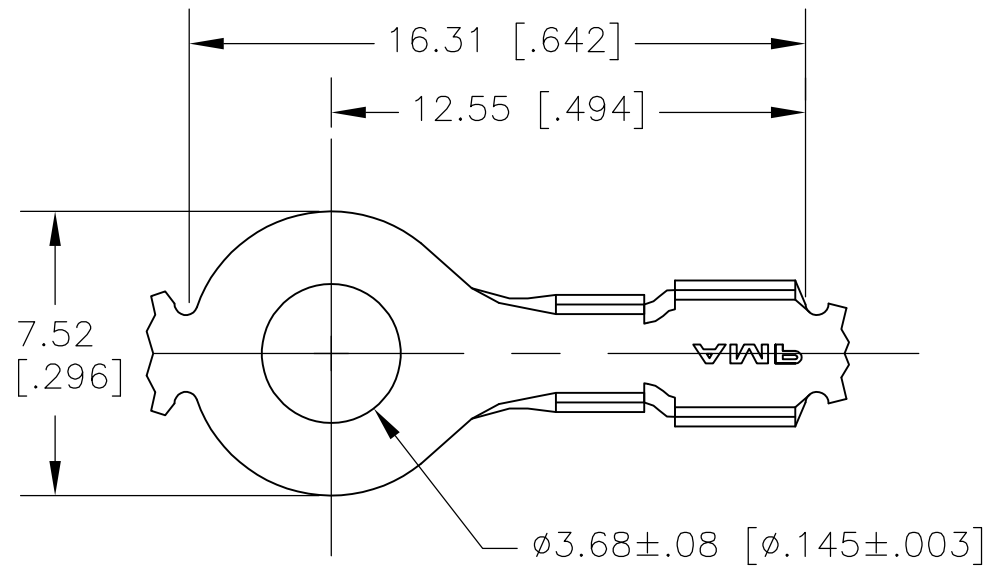
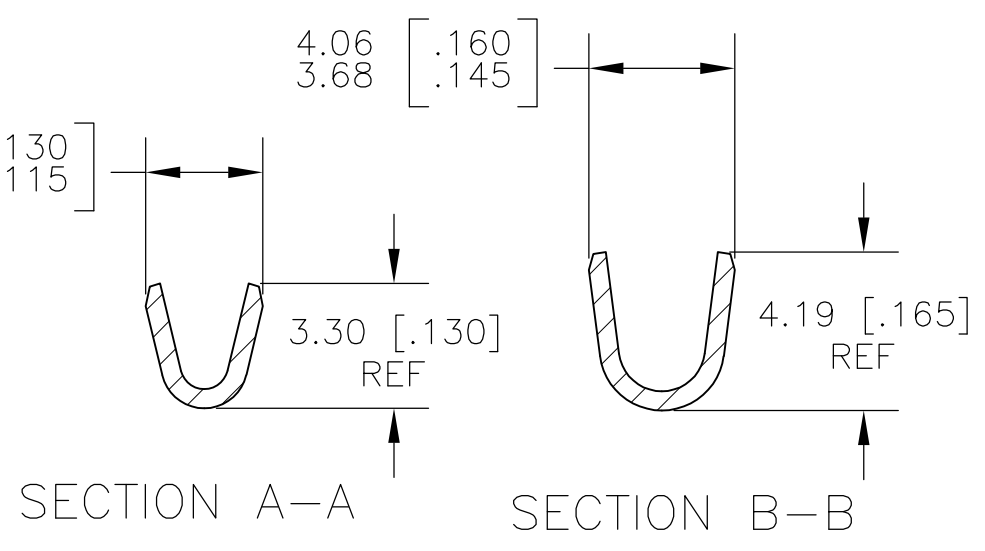
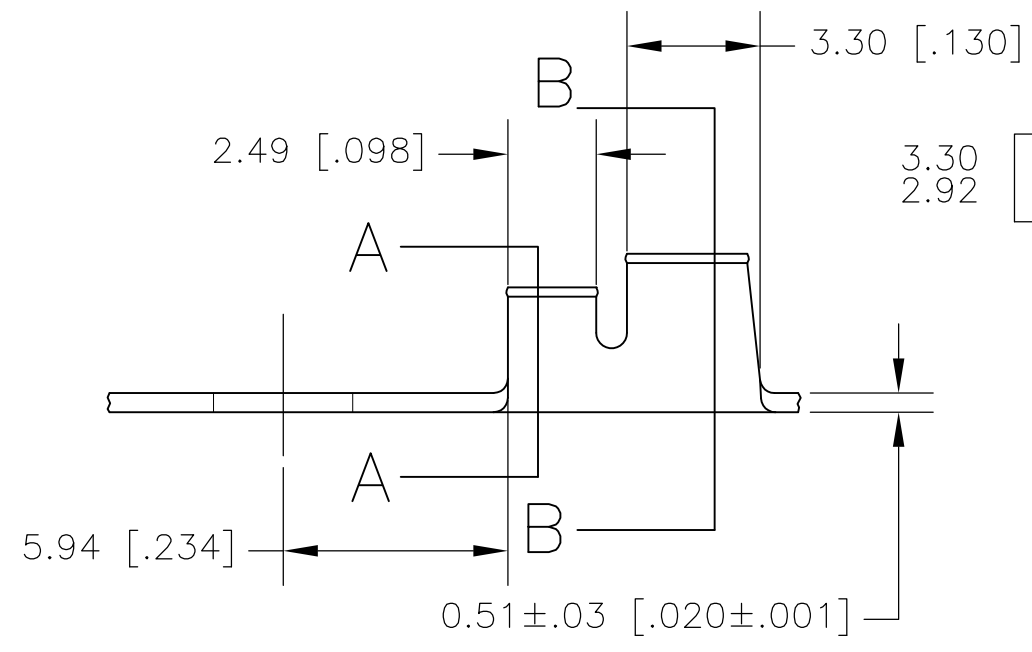


THIS DRAWING IS UNPUBLISHED. RELEASED FOR PUBLICATION  
 © COPYRIGHT BY TYCO ELECTRONICS CORPORATION. ALL RIGHTS RESERVED.

LOC	DIST	REVISIONS			
P	LTR	DESCRIPTION	DATE	DWN	APVD
AF	50	P	REVISED PER ECR-10-06099	07JUL10	HMR PD



- CONTINUOUS STRIP ON REELS.
- WIRE SIZE [22-18] AWG.
- INSULATION RANGE 1.52-2.79 [.060-.110] DIA.
- PRELIMINARY - NOT FOR PRODUCTION



1/2 HARD STAINLESS STEEL	$\triangle 5$ 40697-2
082 BRASS	40697
MATERIAL	PART NUMBER

THIS DRAWING IS A CONTROLLED DOCUMENT.		DWN	JR RUTH	17NOV00	Tyco Electronics Corporation Harrisburg, Pa 17105-3608	
DIMENSIONS: INCHES		CHK	MS FEHER	17NOV00		
TOLERANCES UNLESS OTHERWISE SPECIFIED:		APVD	D DECKER	17NOV00	NAME	
0 PLC	± -	PRODUCT SPEC		RING TONGUE		
1 PLC	± -	APPLICATION SPEC				
2 PLC	± 0.38 [.015]	WEIGHT		SIZE	CAGE CODE	DRAWING NO
3 PLC	± -	FINISH		A3 00779		RESTRICTED TO
4 PLC	± -	MATERIAL		C-40697		-
ANGLES	± -	SEE TABLE		CUSTOMER DRAWING		
SCALE		SHEET		OF		REV
5:1		1		1		P

# Mouser Electronics

Authorized Distributor

Click to View Pricing, Inventory, Delivery & Lifecycle Information:

[TE Connectivity:](#)

[40697](#)