

## Female connector - V-RC/TWUM 11/KVD 11/LBL 12 - 1000043


Please be informed that the data shown in this PDF Document is generated from our Online Catalog. Please find the complete data in the user's documentation. Our General Terms of Use for Downloads are valid (<http://phoenixcontact.com/download>)

M23 socket, 12-pos., angled, freely configurable, with solder connection, for external cable diameter of 8 mm ... 12 mm



RoHS

### Key Commercial Data

Packing unit	1 pc
GTIN	 4 017918 399856
GTIN	4017918399856
Sales Key	02

### Technical data

#### General

Rated voltage	150 V
Total rated current	8 A (with 1 mm <sup>2</sup> conductor cross section)
Number of positions	12
Flammability rating according to UL 94	V0
Note	The connector is designed for use on sensor/actuator boxes with an M23 plug-in connection.

#### Ambient conditions

Degree of protection	IP65
	IP67
Ambient temperature (operation)	-20 °C ... 80 °C

#### Master cable data/connection data

Connection method	M23 screw locking
Conductor cross section max. (signal)	1 mm <sup>2</sup>
Conductor cross section max. (energy)	1 mm <sup>2</sup>
External cable diameter min.	8 mm
External cable diameter max.	12 mm

# Female connector - V-RC/TWUM 11/KVD 11/LBL 12 - 1000043

## Technical data

### Insulation material

Housing material	GD-Zn
Housing surface material	Nickel-plated
Contact material	CuZn
Contact surface material	gold-plated
Contact carrier material	PBT

### Connection assignment

Slot/position = pin = conductor color	1 / 4 (A) = 1 = WH
	2 / 4 (A) = 2 = GN
	3 / 4 (A) = 3 = YE
	4 / 4 (A) = 4 = GY
	5 / 4 (A) = 5 = PK
	6 / 4 (A) = 6 = RD
	7 / 4 (A) = 7 = BK
	8 / 4 (A) = 8 = VT
	1-8 / 1 (+ 120 V) = 11 = BN
	1-8 / 3 (0 V) = 9+10 = BU
	1-8 / 5 (PE) = 12 = GN/YE

### Standards and Regulations

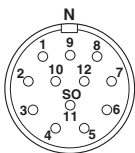
Flammability rating according to UL 94	V0
--	----

### Environmental Product Compliance

REACH SVHC	Lead 7439-92-1
China RoHS	Environmentally Friendly Use Period = 50
	For details about hazardous substances go to tab "Downloads", Category "Manufacturer's declaration"

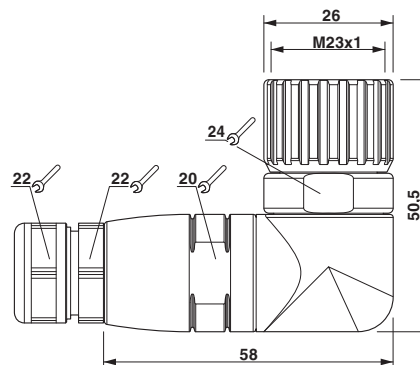
## Drawings

Schematic diagram



Pin assignment M23 socket, 12-pos., female side view

Dimensional drawing



## Female connector - V-RC/TWUM 11/KVD 11/LBL 12 - 1000043

### Approvals

Approvals

---

Approvals


EAC

---

Ex Approvals

---

### Approval details

EAC		B.01742
-----	---	---------

---

Phoenix Contact 2018 © - all rights reserved  
<http://www.phoenixcontact.com>

PHOENIX CONTACT GmbH & Co. KG  
Flachsmarktstr. 8  
32825 Blomberg  
Germany  
Tel. +49 5235 300  
Fax +49 5235 3 41200  
<http://www.phoenixcontact.com>

# Mouser Electronics

Authorized Distributor

Click to View Pricing, Inventory, Delivery & Lifecycle Information:

[Phoenix Contact:](#)

[1000043](#)