

**H MICRO SWITCH**  
 FREEPORT, ILLINOIS, U.S.A.  
 A DIVISION OF HONEYWELL

**SWITCH-BASIC**

★ **V 3-1**

**CK-A0100**

**5**

FED. MFG. CODE 91929

V 3-1

M

DRAWING NUMBER

ISSUE  
 18 MAY 65  
 18 MAY 65

REVISIONS

CO 20189  
 M B F  
 MAY 65

CO 21688  
 B F  
 OCT 66

CO 24941  
 B S  
 DEC 68

CO 26075  
 A B S  
 AUG 69

CO 31509  
 D A W  
 JAN 73

CO 32395  
 GLH  
 AUG 73

CO 56987  
 SMA  
 OCT 85

CO 74634  
 R D R  
 MAY 93

REPLACES

RELEASE NO.

CHECK PFK 18 MAY 65

CHECK L S D 18 MAY 65

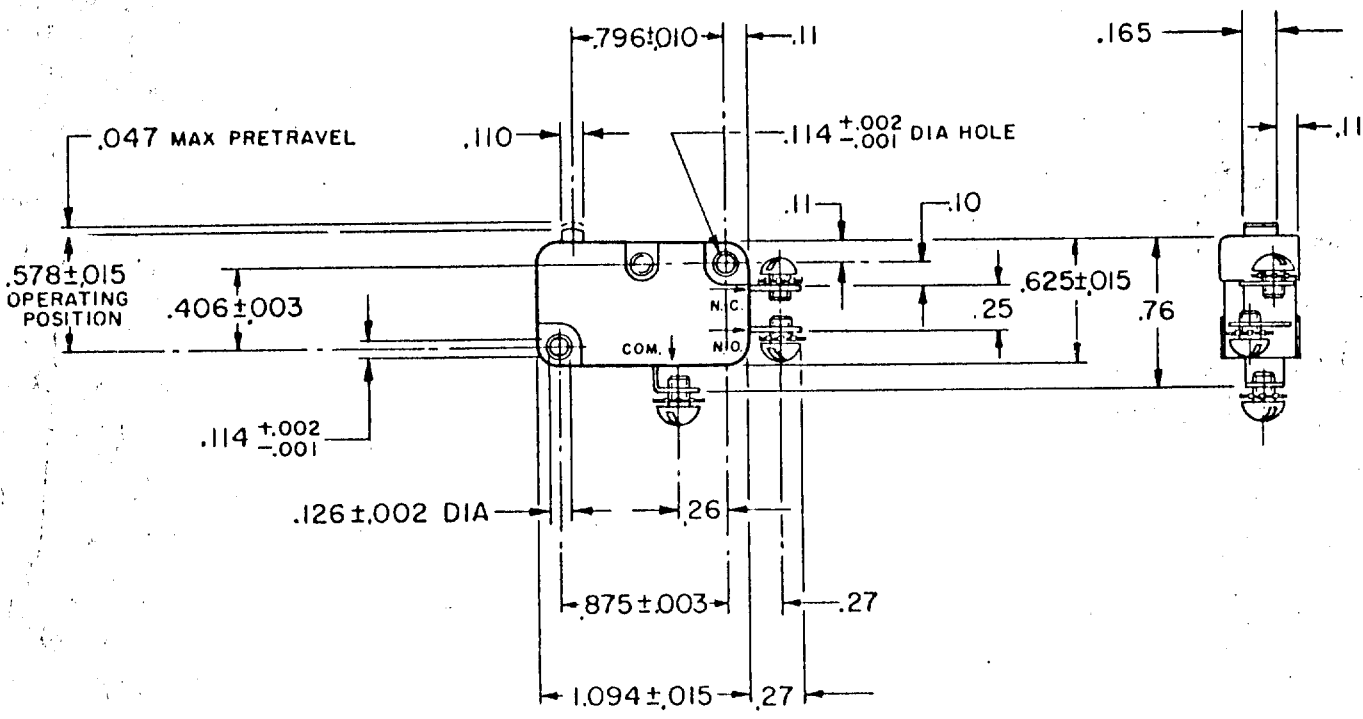
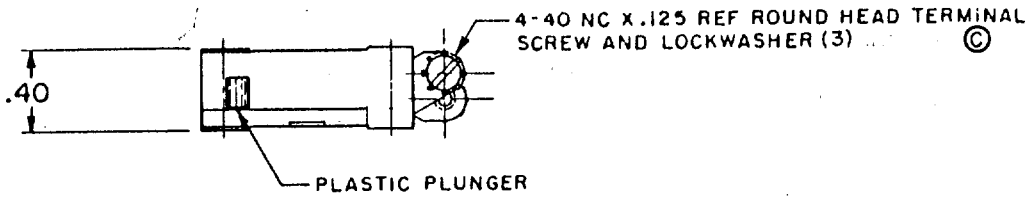
CHECK GCH 6 MAY 65

CHECK GCH 6 MAY 65

CHECK GCH 6 MAY 65

CHECK GCH 6 MAY 65

DRAWN M B F 6 MAY 65



THIS DRAWING COVERS A PROPRIETARY ITEM AND IS THE PROPERTY OF MICRO SWITCH, A DIVISION OF HONEYWELL. THIS DRAWING IS NOT TO BE COPIED OR USED WITHOUT THE APPROVAL OF MICRO SWITCH.

CHARACTERISTICS	
OPERATING FORCE	6-14 OZ
RELEASE FORCE	4 OZ MIN
DIFFERENTIAL TRAVEL	.006 - .016
OVERTRAVEL	.040 MIN
FREE POSITION	.625 MAX
RELEASE TRAVEL	.007 MIN

ELECTRICAL DATA	
CONTACT ARRANGEMENT S P D T	
L83 15.1A 1/2HP 125 OR 250 VAC 1/2A 125 VDC, 1/4A 250 VDC 5A 125 VAC "L"	

SCALE FULL	
DO NOT SCALE PRINT	
UNLESS OTHERWISE NOTED	
DIMENSIONS ARE IN INCHES	
TOLERANCES ARE:	
ONE PLACE (.0)	±.030
TWO PLACE (.00)	±.015
THREE PLACE (.000)	±.005
ANGLES	±
WEIGHT .017 LB	

# Mouser Electronics

Authorized Distributor

Click to View Pricing, Inventory, Delivery & Lifecycle Information:

[Honeywell:](#)

[V3-1](#)