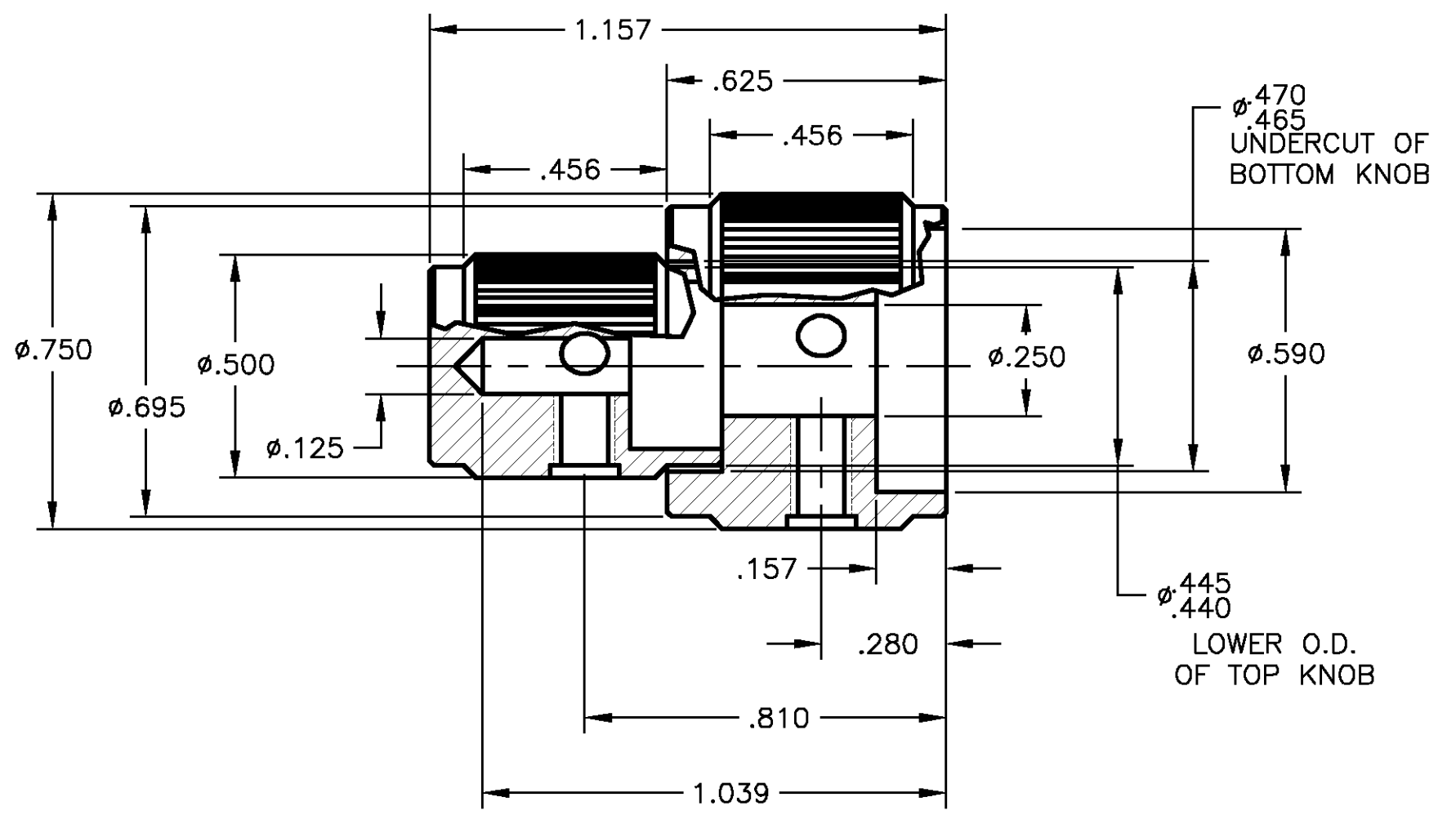
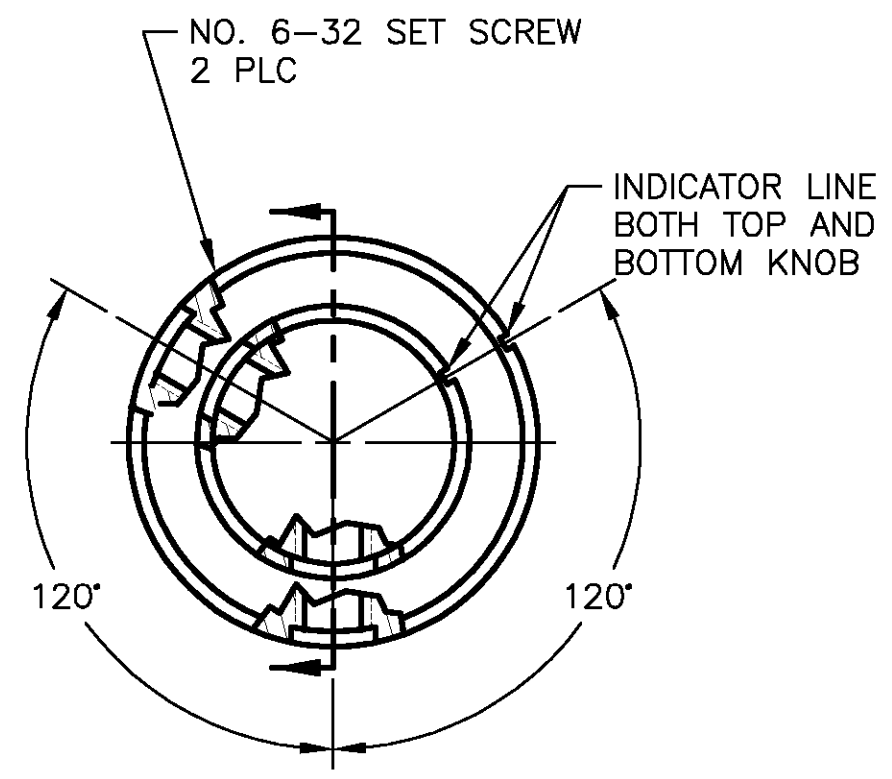


LOC	DIST	REVISIONS					
AD	00	P	LTR	DESCRIPTION	DATE	DWN	APVD
			A	REV PER EC OG3C-340-02	03DEC02	MB	MZ



- 1 KNOB: ALUMINUM; SET SCREWS: STAINLESS STEEL
- 2 FINISH: ANODIZED - SEE TABLE
- 3. WAS DRAWING NUMBER 80257

WHITE LACQUER	BLACK	KN5700B1/4	5-1437622-7
BLACK LACQUER	NATURAL	KN5700A1/4	5-1437622-6
INDICATOR LINE	FINISH	MODEL NUMBER	PART NUMBER
2 COLOR			

THIS DRAWING IS A CONTROLLED DOCUMENT.		DWN M.BINNER	03DEC02	Tyco Electronics Corporation Harrisburg, PA 17105	
DIMENSIONS: INCHES		CHK M.ZITTO	APVD M.ZITTO		
		TOLERANCES UNLESS OTHERWISE SPECIFIED:		PRODUCT SPEC	
MATERIAL		FINISH		APPLICATION SPEC	
1		2		WEIGHT	
				SIZE	CAGE CODE
				A3	00779
				DRAWING NO	
				C-5-1437622-6	
				RESTRICTED TO	
				-	
				SCALE	SHEET
				3:1	1 OF 1
				REV	A

Mouser Electronics

Authorized Distributor

Click to View Pricing, Inventory, Delivery & Lifecycle Information:

[TE Connectivity:](#)

[KN5700A1/4](#)