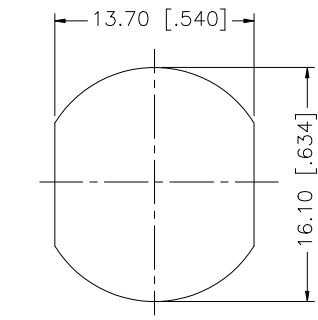
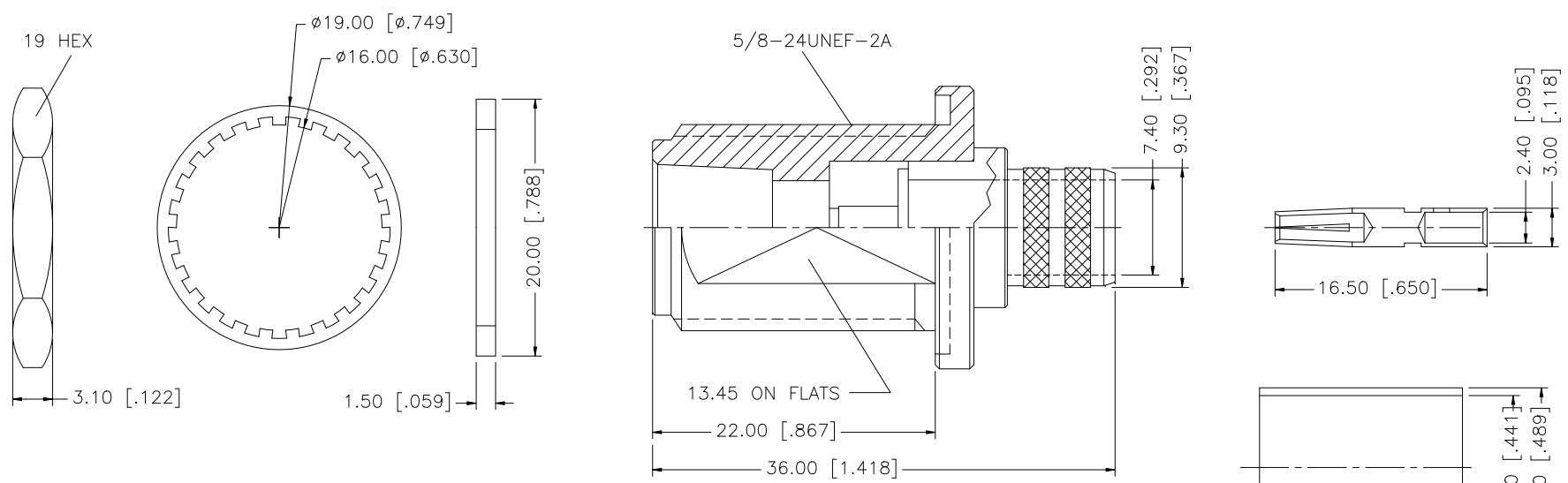
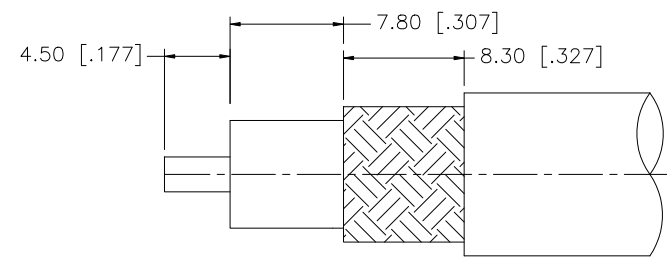


| REV. | DATE     | DESCRIPTION     |
|------|----------|-----------------|
| NC   | 07/08/07 | INITIAL RELEASE |



RECOMMENDED MOUNTING HOLE DIMENSIONS



RECOMMENDED CABLE STRIPPING DIM'S

- NOTE:
1. CRIMPED FERRULE HEX CRIMP SIZE .429"
  2. CRIMPED CONTACT PIN HEX CRIMP SIZE .100"
  3. MAX. PANEL THICKNESS = 6.5mm

| QTY | DESCRIPTION | MATERIAL    | FINISH  | QTY |
|-----|-------------|-------------|---------|-----|
| 1   | BODY        | BRASS       | NEXCOTE | 1   |
| 2   | INSULATOR   | TEFLON      | NATURAL | 1   |
| 3   | BARREL      | BRASS       | NEXCOTE | 1   |
| 4   | GASKET      | SILICONE    | RED     | 1   |
| 5   | LOCK WASHER | BRASS       | NEXCOTE | 1   |
| 6   | HEX NUT     | BRASS       | NEXCOTE | 1   |
| 7   | CONTACT PIN | BER. COPPER | GOLD    | 1   |
| 8   | FERRULE     | COPPER      | NEXCOTE | 1   |

UNLESS OTHERWISE SPECIFIED DIMENSIONS ARE IN MILLIMETERS. DIMENSIONS IN [ ] ARE IN INCHES AND FOR CUSTOMER REFERENCE ONLY.

UNLESS OTHERWISE SPECIFIED TOLERANCES FOR MILLIMETERS ARE:  
0.5 - 8mm ± 0.20mm  
8 - 30mm ± 0.40mm  
30 - 120mm ± 0.50mm

UNLESS OTHERWISE SPECIFIED TOLERANCES FOR INCHES ARE:  
.020 - .315 ± 0.007"  
.315 - 1.180 ± 0.015"  
1.180 - 4.724 ± 0.020"

DO NOT SCALE DRAWING

| APPROVALS    | DATE              |
|--------------|-------------------|
| DRAWN G.R.S. | 07/08/07          |
| CHECKED      |                   |
| ISSUED       |                   |
| SHEET 1 OF 1 |                   |
| CAD FILE     | C:/172/172168.DWG |

**Amphenol Connex**

PART DESCRIPTION  
**N BULKHEAD CRIMP JACK  
(FOR RG-214/U CABLE)**

PART NO.  
**172168**

|          |            |      |    |      |   |       |    |
|----------|------------|------|----|------|---|-------|----|
| DWG. NO. | 172168.DWG | REV. | NC | SIZE | A | SCALE | NA |
|----------|------------|------|----|------|---|-------|----|

# Mouser Electronics

Authorized Distributor

Click to View Pricing, Inventory, Delivery & Lifecycle Information:

[Amphenol:](#)

[172168](#)