

# MICRO SWITCH

FREEPORT ILLINOIS, U.S.A.  
A DIVISION OF HONEYWELL  
FED. MFG. CODE 91929

# ACTUATOR-SWITCH

CATALOG LISTING  
**JV-314**

JV-314

M

DRAWING  
NUMBER

2

ISSUE

REPLACES

RELEASE NO. PR-13792

CHECK

CHECK

8 APR 85

CHECK

8 APR 85

CHECK

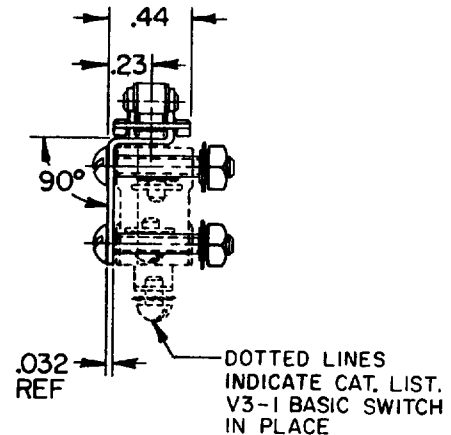
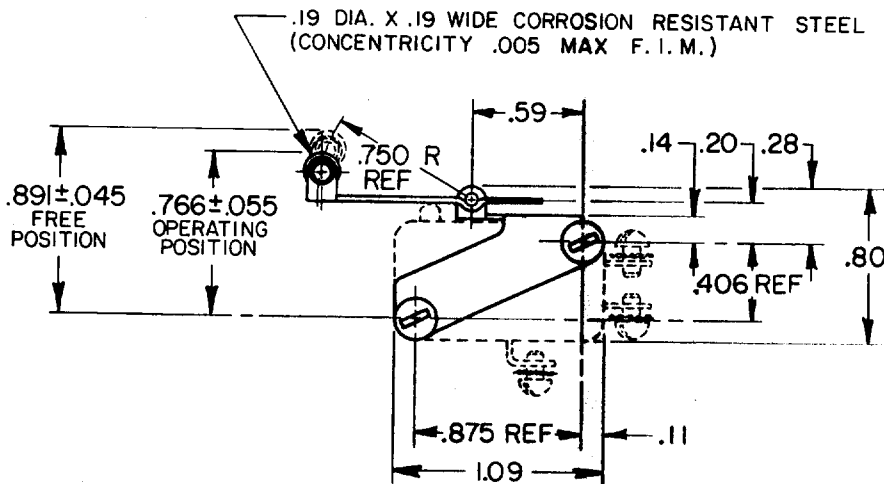
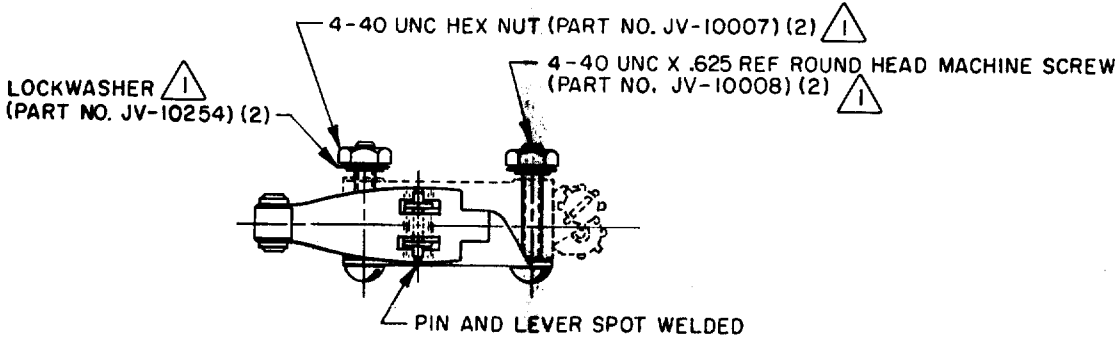
8 APR 85

CHECK

8 APR 85

DRAWN

FO-52848-A

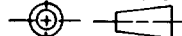


**NOTES**

- ① FURNISHED UNASSEMBLED
- 2 - ACTUATOR NOT SATISFACTORY FOR USE ON V3-600 AND 700 SERIES SWITCHES

THIS DRAWING COVERS A PROPRIETARY ITEM AND IS THE PROPERTY OF MICRO SWITCH, A DIVISION OF HONEYWELL. THIS DRAWING IS NOT TO BE COPIED OR USED WITHOUT THE APPROVAL OF MICRO SWITCH.

THIRD ANGLE PROJECTION



**CHARACTERISTICS WITH V3-1 BASIC SWITCH INSTALLED**

OPERATING FORCE	----- 5 OZ MAX
RELEASE FORCE	----- 1 OZ MIN
PRETRAVEL	----- .188 MAX
DIFFERENTIAL TRAVEL	----- .078 MAX
OVERTRAVEL	----- .062 MIN

**ELECTRICAL DATA**

CONTACT ARRANGEMENT

SCALE FULL

DO NOT SCALE PRINT

**TOLERANCES**  
APPLY TO DESIGN UNITS. CONVERSIONS ARE ONLY FOR REFERENCE. UNLESS NOTED, TOLERANCES ARE ±

	DIM. mm	TOL. mm/in	DIM. in	TOL. mm/in
NO PLACES	X	1/64	X	0.015
ONE PLACE	X,X	0.4/016	X,X	0.38/015
TWO PLACES	X,X,X	0.15/008	X,X,X	0.18/005
THREE PLACES	X,X,X,X		X,X,X,X	
ANGLES				2°

DESIGN UNITS  SI METRIC  US CUSTOMARY

WEIGHT .027 LB MAX

# Mouser Electronics

Authorized Distributor

Click to View Pricing, Inventory, Delivery & Lifecycle Information:

[Honeywell:](#)

[JV-314](#)