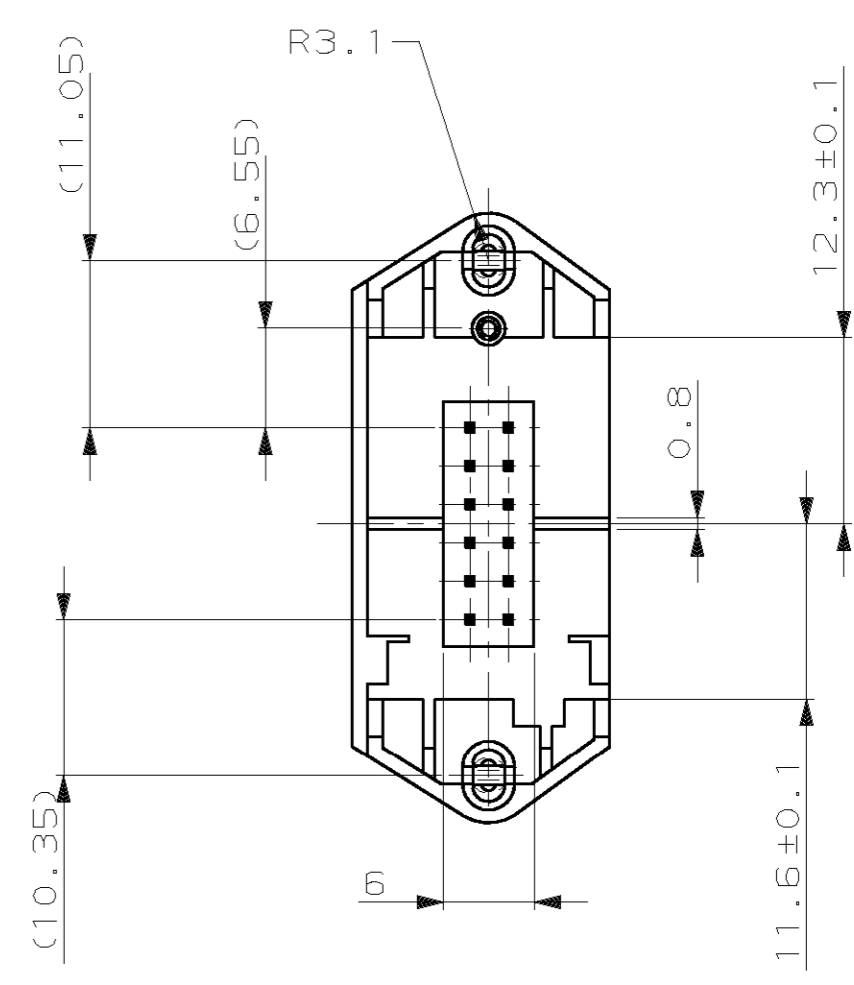
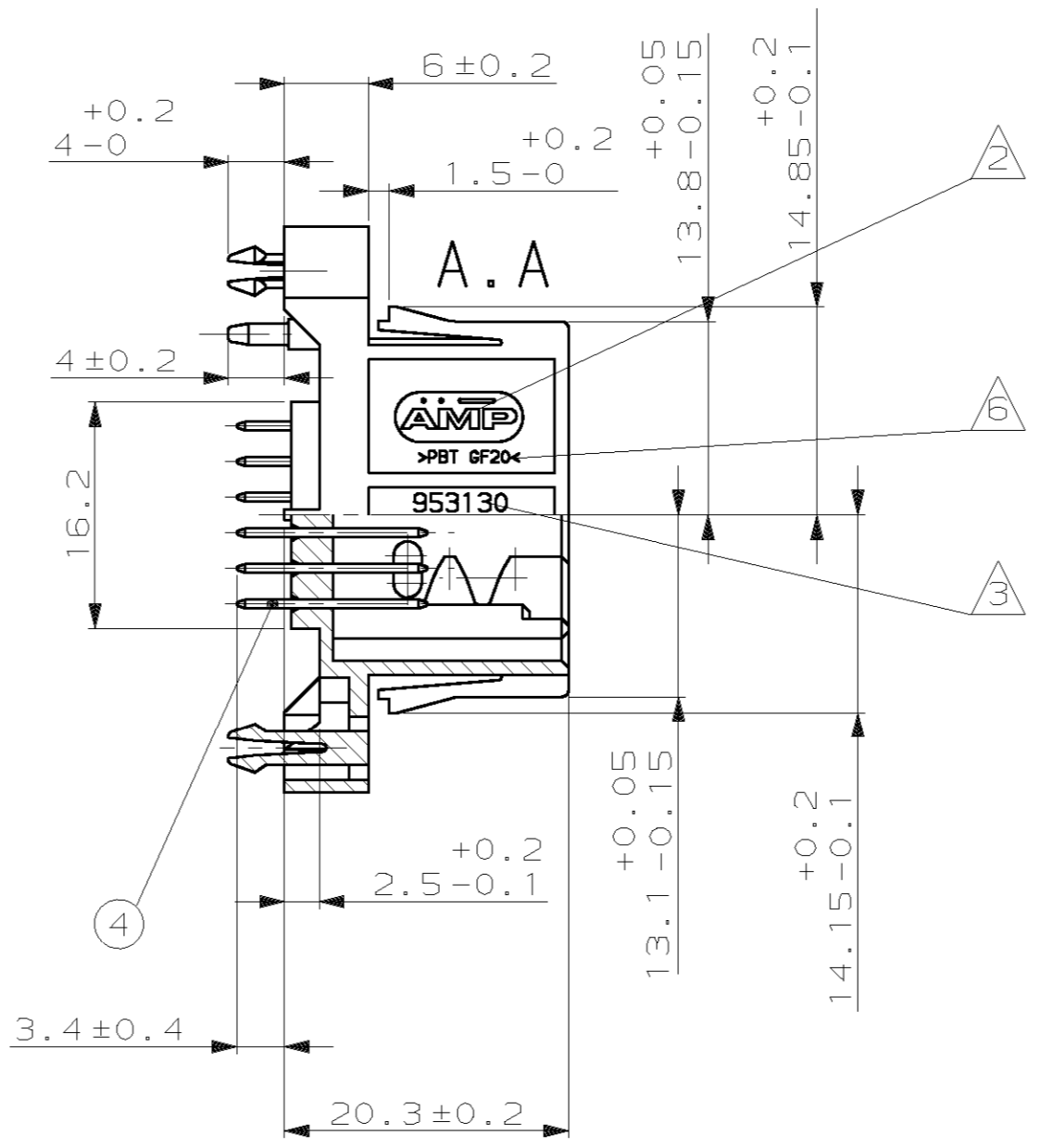
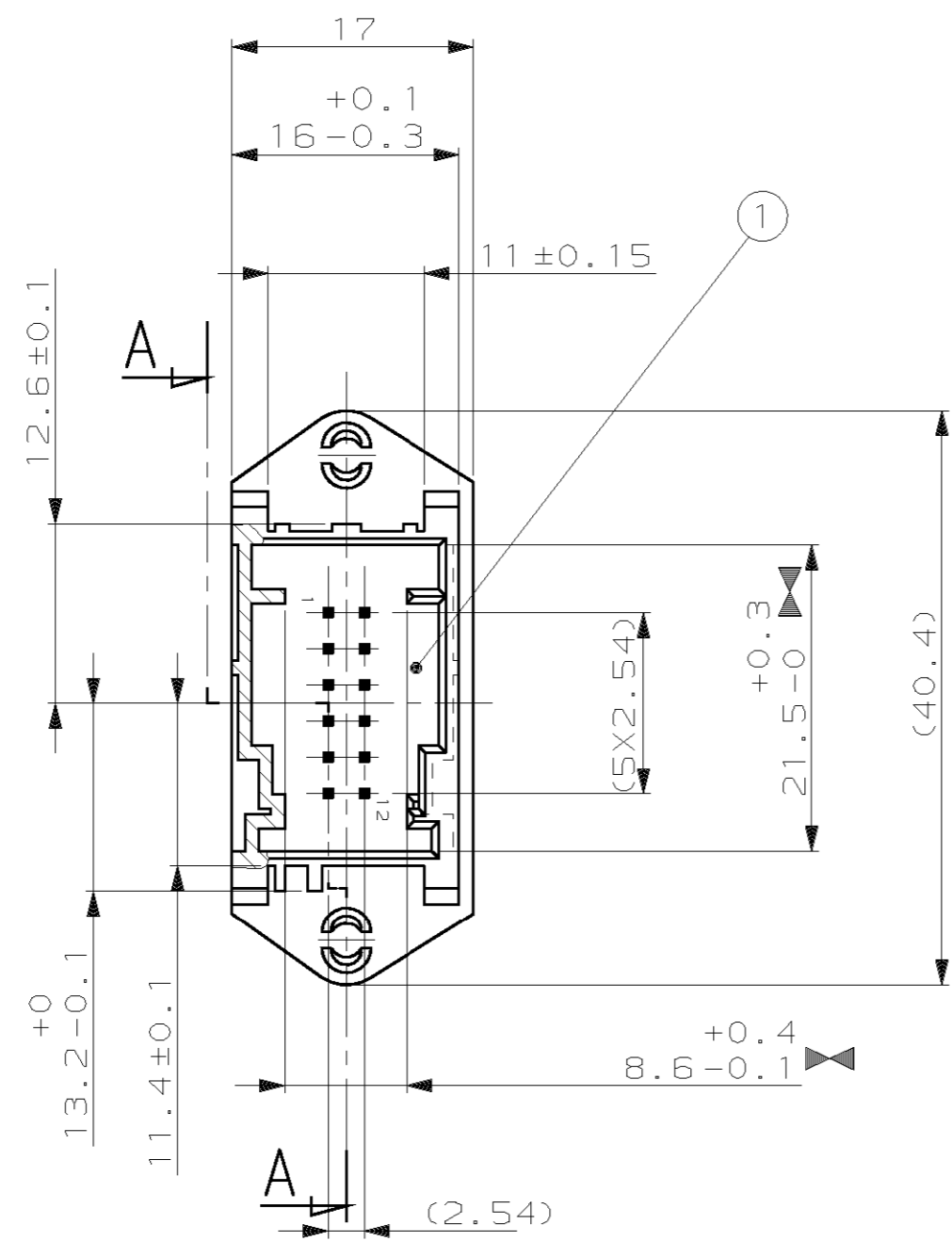
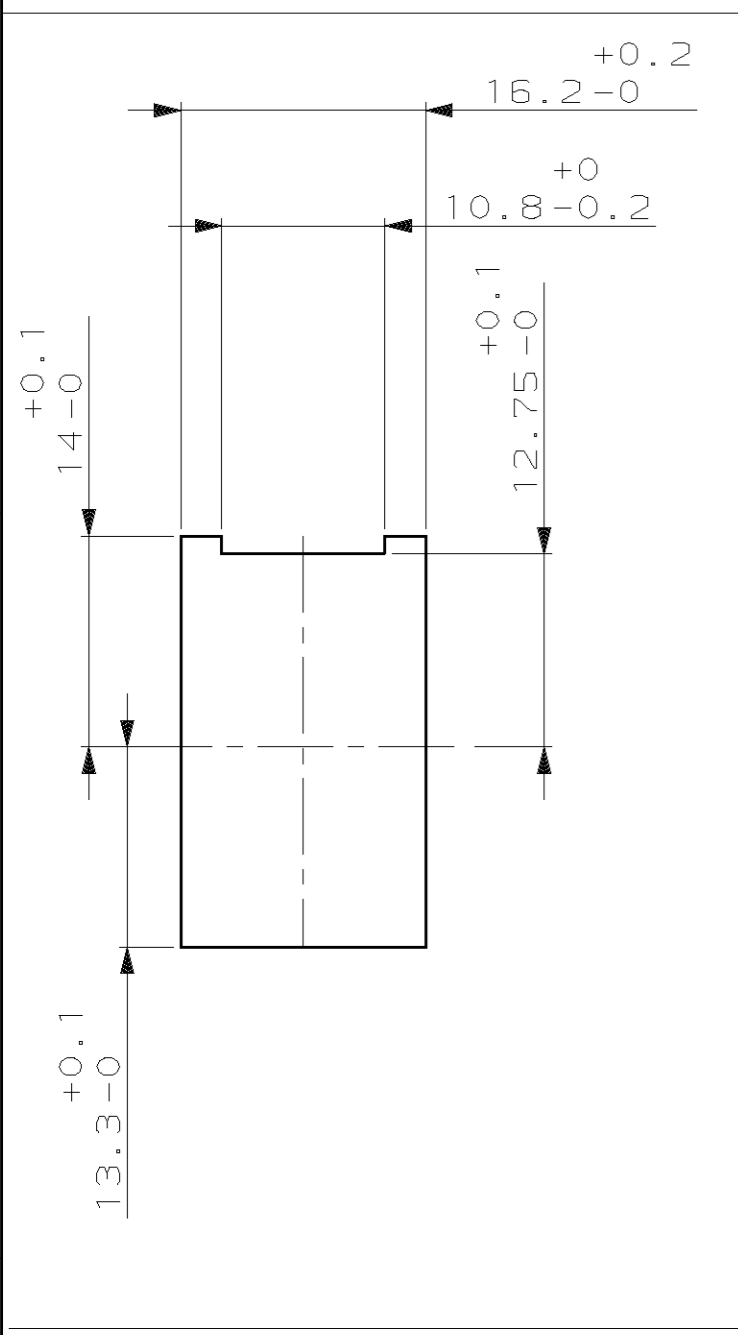


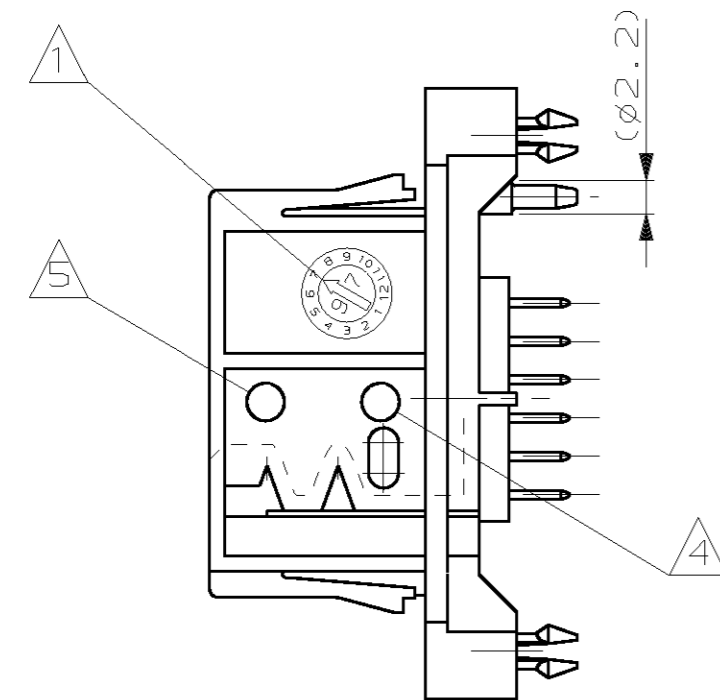
THIS DRAWING IS UNPUBLISHED.  
 DIFFUSION RESEINTE AMP  
 (C) COPYRIGHT 19 BY AMP INCORPORATED. ALL RIGHTS RESERVED.  
 TOUS DROITS RESERVES.

REVISIONS						
P	LTR REV	DESCRIPTION MODIFICATIONS	DATE	DWN DESS.	APVD APP.	
	A	MISE A JOUR	18-SEP-97	SI	-	
	B	RENFORT DU PION DE DETROMPAGE	26-JUN-00	JLQ	-	

RECOMMANDATION DECOUPE PANNEAU  
 RECOMMENDED PANEL CUTOUT  
 VUE DE DESSUS / VIEW FROM TOP



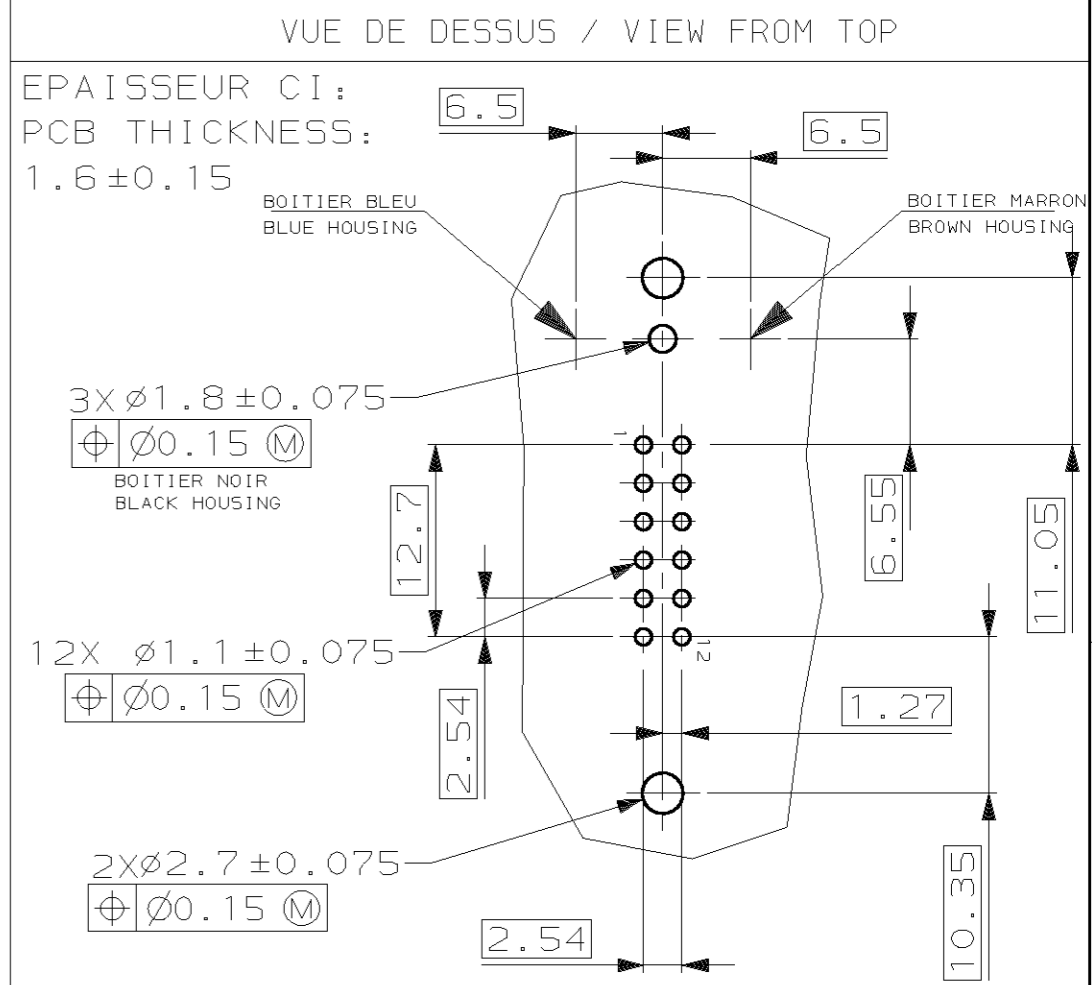
COTE POUR CAPABILITE  
 DIMENSION FOR CAPABILITY



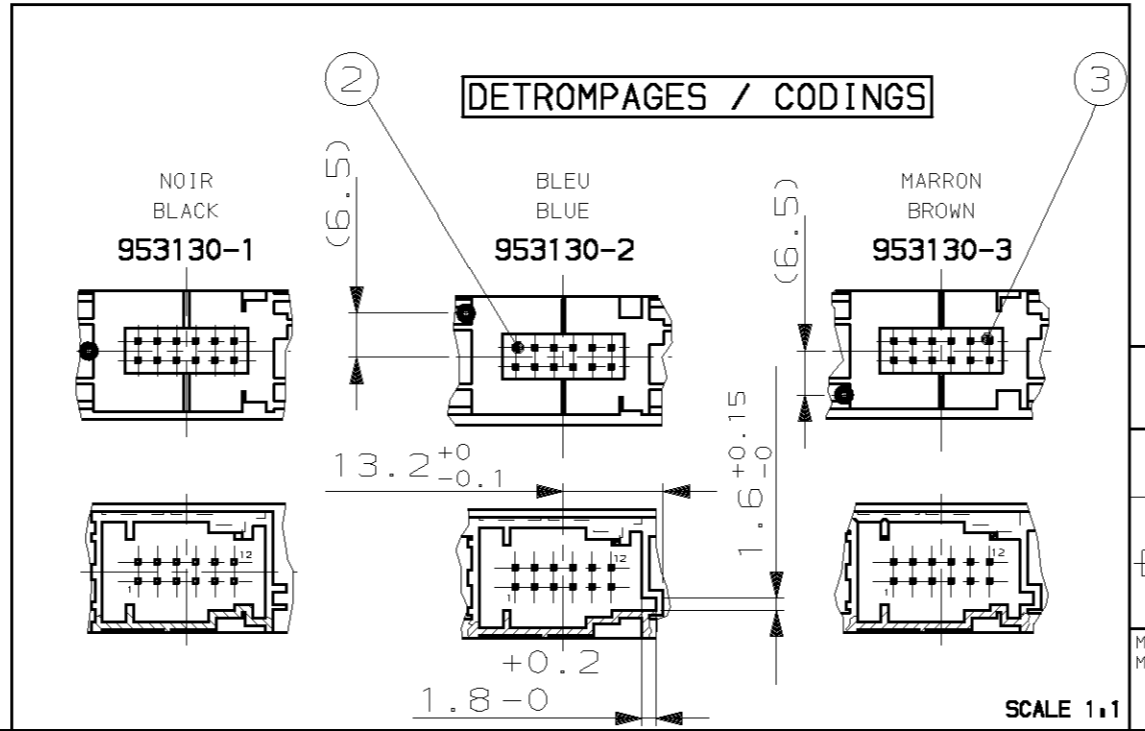
- NOTES:
- 1 DATE CODE
  - 2 LOGO D'AMP
  - 3 REFERENCE DU PRODUIT ASSEMBLE
  - 4 REVISION DU MOULE
  - 5 N° D'EMPREINTE DU MOULE
  - 6 MATIERE
  - 7 CONTRE-PARTIE : CONNECTEURS REF 185341 ET 185343

- NOTES:
- 1 DATE CODE
  - 2 AMP LOGO
  - 3 ASSY PART NUMBER
  - 4 REVISION STATUS
  - 5 CAVITY MARKING
  - 6 MATERIAL REFERENCE
  - 7 MATING PART : CONNECTEURS PN 185341 AND 185343

RECOMMANDATION IMPLANTATION CI  
 RECOMMENDED PCB DETAILS  
 VUE DE DESSUS / VIEW FROM TOP



REF / ASSY PN	REV	QTY	MATERIAL	DESIGNATION / NAME	COULEUR / COLOR	REP.
953130-1	-	12	CuSn6	CONTACT MQS 0.63X0.63	POST ETAME / POST TIN	4
953130-2	-	1	PBT GF20	BOITIER / HOUSING	MARRON / BROWN	3
953130-3	-	1	PBT GF20	BOITIER / HOUSING	BLEU / BLUE	2
		1	PBT GF20	BOITIER / HOUSING	NOIR / BLACK	1



THIS DRAWING IS A CONTROLLED DOCUMENT. CE PLAN EST UN DOCUMENT CONTROLE.		DWN/DESSINE 23-MAY-97 SLODJAN IVANOVIC		AMP DE FRANCE 95301 PONTOISE	
DIMENSIONS: mm		CHK/VERIFIE 12-NOV-97 J. LAQUERBE		APVD/APPROUVE 12-NOV-97 JJ. REVIL	
MATERIAL MATIERE SEE TABLE		TOLERANCES UNLESS OTHERWISE SPECIFIED: (SUIV. NB DE DECIMALES): 0.15±0.05 0.25±0.10 0.50±0.20 1.00±0.40 2.00±0.80 ANGLES: #5°		NAME TITRE EMPLOI 108-15180	
FINISH FINITION SEE TABLE		WEIGHT MASSE APPROX. 4.5 g		SIZE FORMAT A2	
		CUSTOMER DRAWING/PLAN CLIENT		UNIQUEMENT POUR REFERENCE	
		SCALE ECHELLE 2:1		SHEET FEUILLE 1 OF 1	
				REV B	

953130

# Mouser Electronics

Authorized Distributor

Click to View Pricing, Inventory, Delivery & Lifecycle Information:

[TE Connectivity:](#)

[953130-1](#)