

RED INDICATES ORIGINAL

DISK #	DWG SIZE	DATA CONTAINED IN THIS DOCUMENT IS PROPRIETARY TO TROMPETER ELECTRONICS INC. AND SHALL NOT BE DISCLOSED, COPIED OR USED FOR PROCUREMENT OR MANUFACTURE WITHOUT EXPRESS WRITTEN PERMISSION.	REVISIONS		1-0014		SH 1
			REV	EO	DESCRIPTION	DWN	
C 4	C		AF	8815	ADDED NOTE 8 & 9 & REDRAWN	J S	DATE 3-26-90

DASH NO	FIG	CABLES ACCOMMODATED	A DIM	B FLATS	C HEX	ASSEMBLE PER
-1/8	1,3	RG-58	.960	.437	.437	TAI-101
-U1/8		ESSEX 621-715				
-2/8		RG-59				
-U2/8		BELDEN 8279				
-2A		AT&T 730A				
-U2A		RG-223				
-2B		RG-55				
-U2B		RG-122				
-3		BELDEN 8218				
-U3		RG-174				
-3A	1	RG-187	1.001	.500	.500	TAI-119
-U3A		RG-196				
-4		HEWLETT-PACKARD 8120-1107				
-U4		BELDEN 9231				
-5/8		RG-5				
-5A		RG-6				
-U5/8		RG-303				
-5B		RG-180				
-U5B		GRUMMAN 6C8756P1				
-6		RG-187 DBL SHLD				
-U6	1,3	BELDEN 8228	.960	.437	.437	TAI-101
-6E		275-3991 MICRODOT				
-U6E		616-569 AMPPEX				
-21		810 RAYCHEM				
-U21		RG-304				
-22		9248 BELDEN				
-U22		BRAND-REX 8749				
-31		60RE C06C032				
-U31		88281 BELDEN				
-34		89120 BELDEN				
-U34	1,3	89555 BELDEN	.960	.437	.437	TAI-101
-36		734A.AT&T				
-U36		RG-405				
-37	2	RG-402	.960	.437	.437	TAI-130
-U37						
-41						
-U41						
-44						
-U44						
-51						
-U51						
-52						
-U52						
-53						
-U53						
-63						
-U63						
-086						
-U086						
-141						
-U141						

FIG 1
- 1 SHOWN

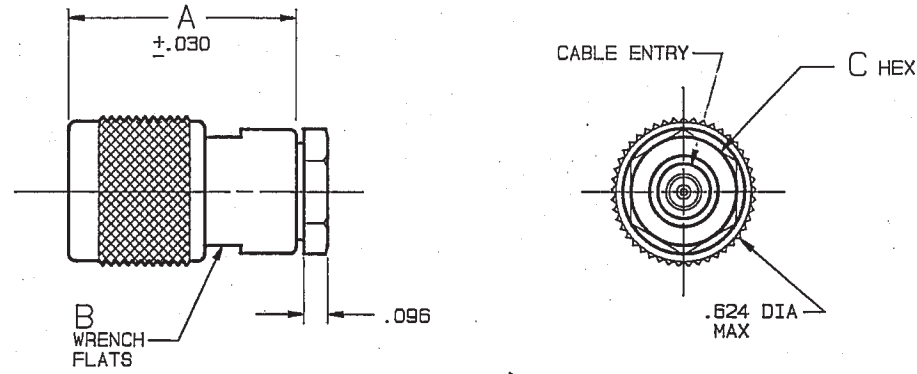


FIG 2
- 086 SHOWN

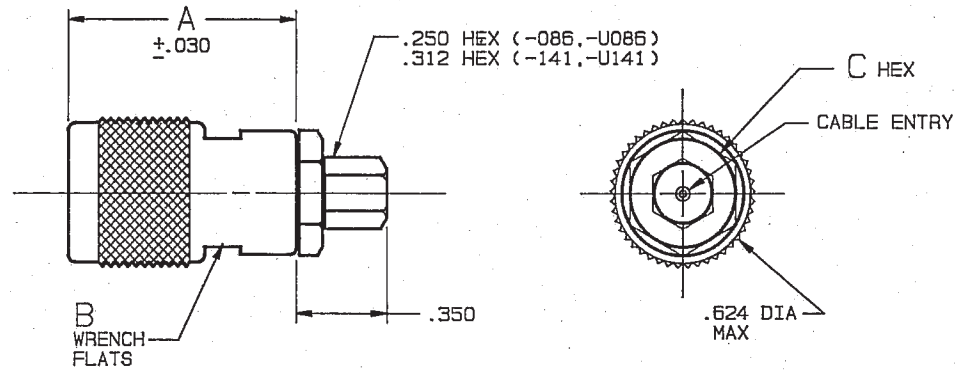
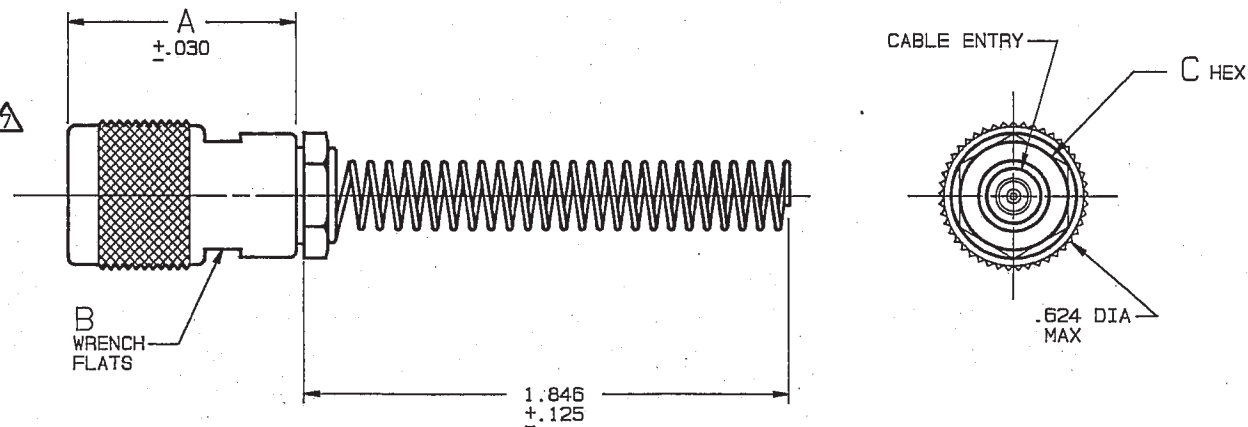


FIG 3
- 1 SHOWN



△ IF SAFETY WIRE & BEND RELIEF SPRING REQUIRED ADD SUFFIX "SBR" TO MODEL NO. (NOT AVAILABLE WITH CABLE GROUPS -6, -U6, -6E, -U6E, -51, -U51, -52, -U52, -63, -U63, -086, -U086, -141 & -U141)

△ IF BEND RELIEF SPRING REQUIRED ADD SUFFIX "BR" TO MODEL NO. (SEE FIG 3) (NOT AVAILABLE WITH CABLE GROUPS -6, -U6, -6E, -U6E, -51, -U51, -52, -U52, -63 & -U63)

△ IF SAFETY WIRE REQUIRED ADD SUFFIX "S" TO MODEL NO (PL40S/UPL40S)

4. DASH NO DENOTES CABLE GROUP EXCEPT "U" PREFIX DENOTES 75 OHM VERSION

3. MALE TYPE TNC COAXIAL CABLE PLUG BOTH 50 & 75 OHM VERSIONS

2. FINISH: TFS-1A (NICKEL)

1. ALL DIM ARE IN INCHES

△ FOR CABLE GROUPS -1 & -U1 SUPPLY 1 EA ACA1
FOR CABLE GROUPS -2 & -U2 SUPPLY 1 EA ACA2
FOR CABLE GROUPS -5 & -U5 SUPPLY 1 EA ACAS
MAY BE ASSEMBLED TO CABLE/CONNECTOR ASSY USING 3M SCOTCHGRIP NO. 1099 PLASTIC ADHESIVE, OR EQUIV.)

△ IF PLASTIC STRAIN RELIEF REQUIRED, ADD SUFFIX "BT" TO MODEL NO. (ONLY AVAILABLE WITH -1, -U1, -2, -U2, -5, -U5)

QTY	DESCRIPTION		PART NUMBER		ITEM
1-0261	105-1016	TOL UNLESS SPECIFIED	TROMPETER RF connectivity		
1-0244	1-0027	.XX ± .XXX ± .005 .XXXX ± ANGLES ±			
11-02	1-0217	1-0026	DWN J S 3/18/90	MATERIAL	PL40/S/BR/SBR/ UPL40/S/BR/SBR
12-06	1-0214	105-0489	CHK UH 3/23/90	CODE IDENT	DRAWING NO.
105-0717	1-0206	105-0241	ENGR JH 3/23/90	14949	1-0014
105-0623	1-0205	205-0001	APPR JH 3-23-90	SCALE 2/1	REV AF
	1-0203	NEXT ASSY	DATE 5/12/66	SHEET 1 OF 2	

Mouser Electronics

Authorized Distributor

Click to View Pricing, Inventory, Delivery & Lifecycle Information:

[Cinch Connectivity Solutions:](#)

[PL40-1](#)