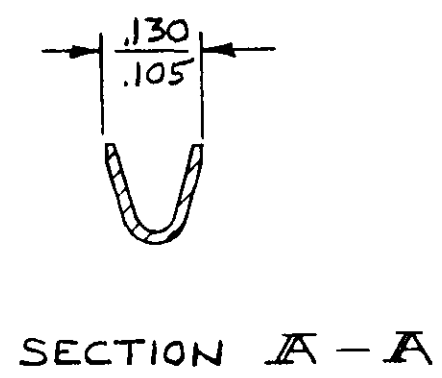
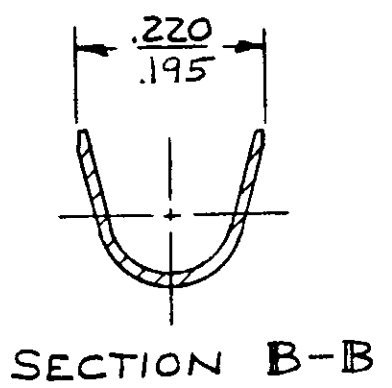
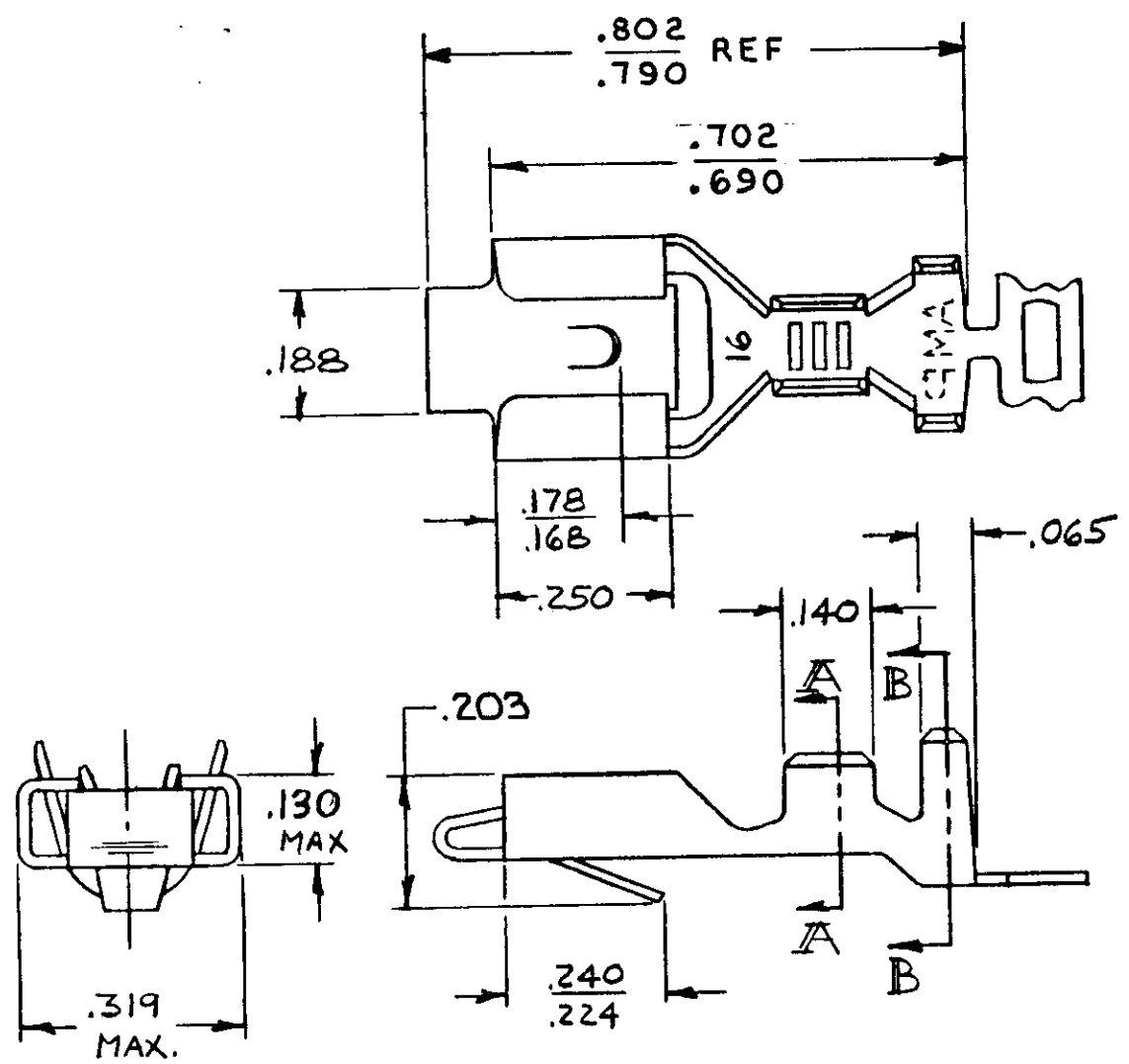


© COPYRIGHT 1978 BY AMP INCORPORATED, HARRISBURG, PA.
 ALL INTERNATIONAL RIGHTS RESERVED. AMP INCORPORATED PRODUCTS
 COVERED BY U. S. AND FOREIGN PATENTS AND/OR PATENTS PENDING.

REVISIONS					
P	ZONE	LTR	DESCRIPTION	DATE	APPROVED
/		F	REVISED PER ECR-13-005733	23AUG13	PD



	FINISH	.145 MAX	20-16 AWG	640841-1
		INSULATION RANGE	WIRE SIZE	PART NO
UNLESS OTHERWISE SPECIFIED DIMENSIONS ARE IN INCHES. TOLERANCES ON: DECIMALS ± .015 ANGLES ± 1°	CONTRACT NO			
	DR			
MATERIAL BRASS	CHK	NAME		
	APPD	.250 BLADE RECEPTACLE		
FINISH SEE TABLE	APPD	SIZE	CODE IDENT NO	DRAWING NO
	DSGN APPD	B	00779	640841
	OTHER APPD	SCALE	SHEET	

Mouser Electronics

Authorized Distributor

Click to View Pricing, Inventory, Delivery & Lifecycle Information:

[TE Connectivity:](#)

[640841-1](#) [640841-1 \(Loose Piece\)](#)