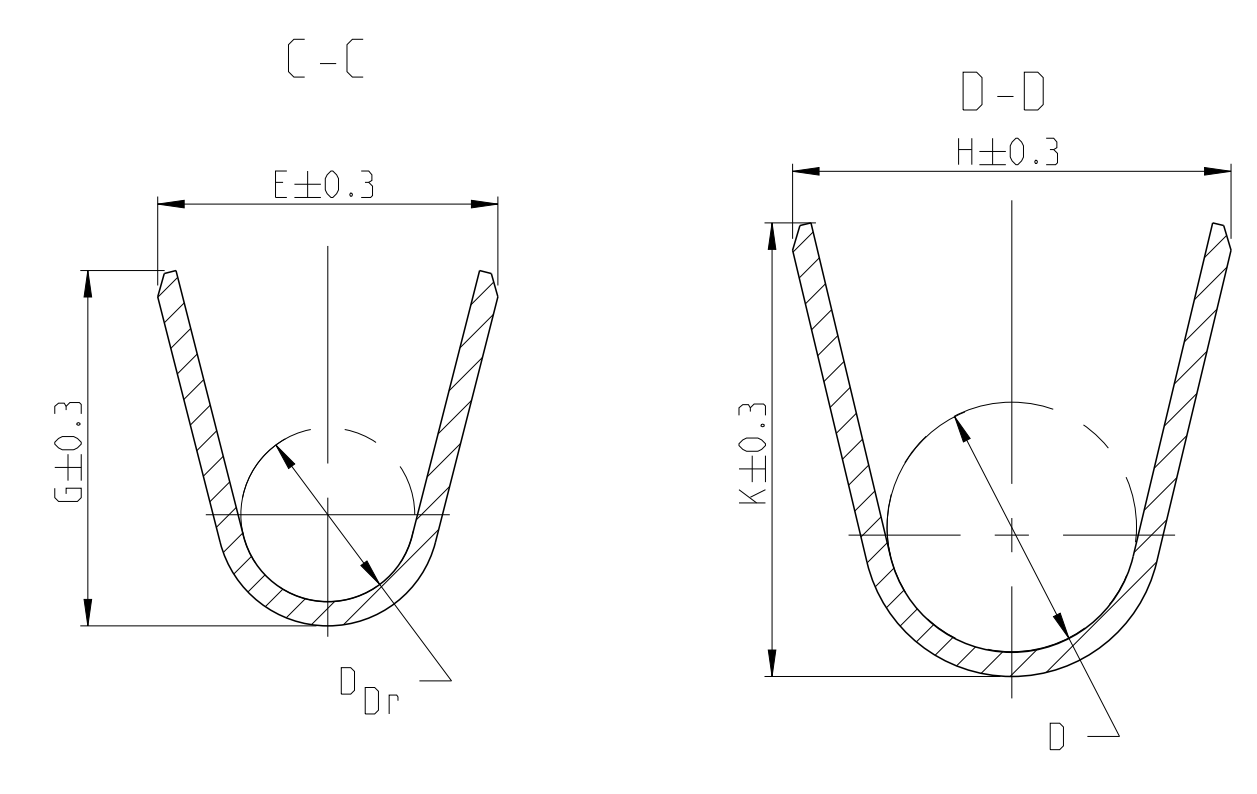
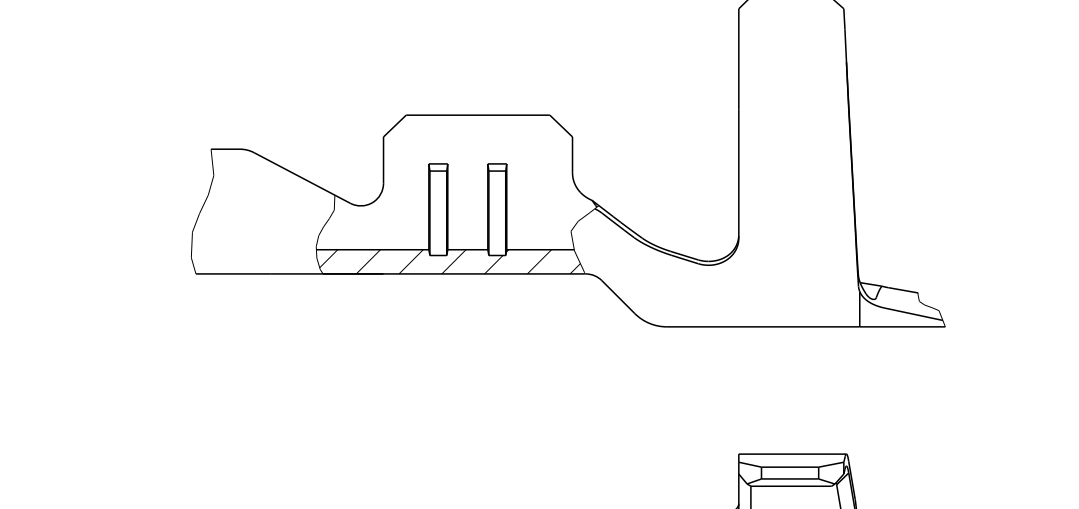
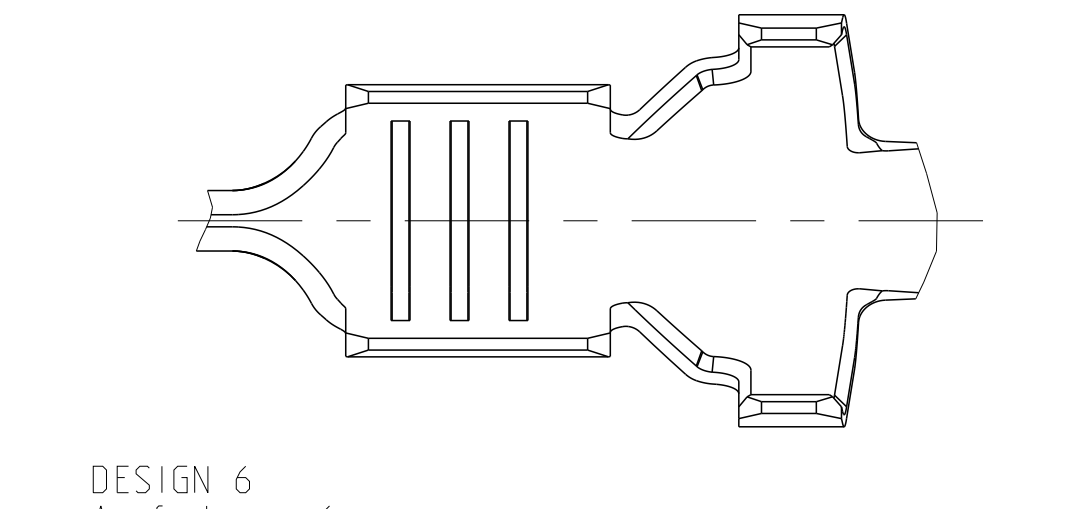
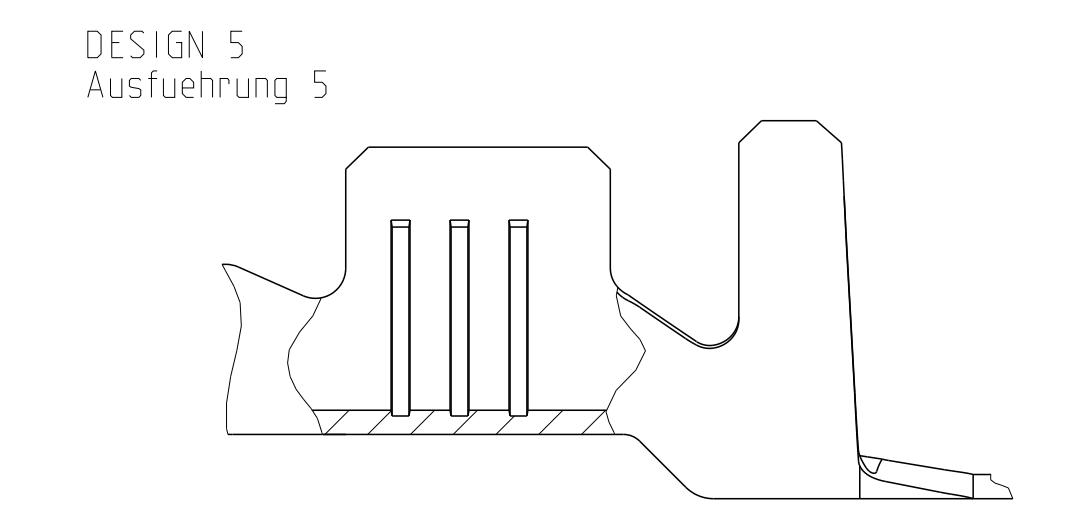
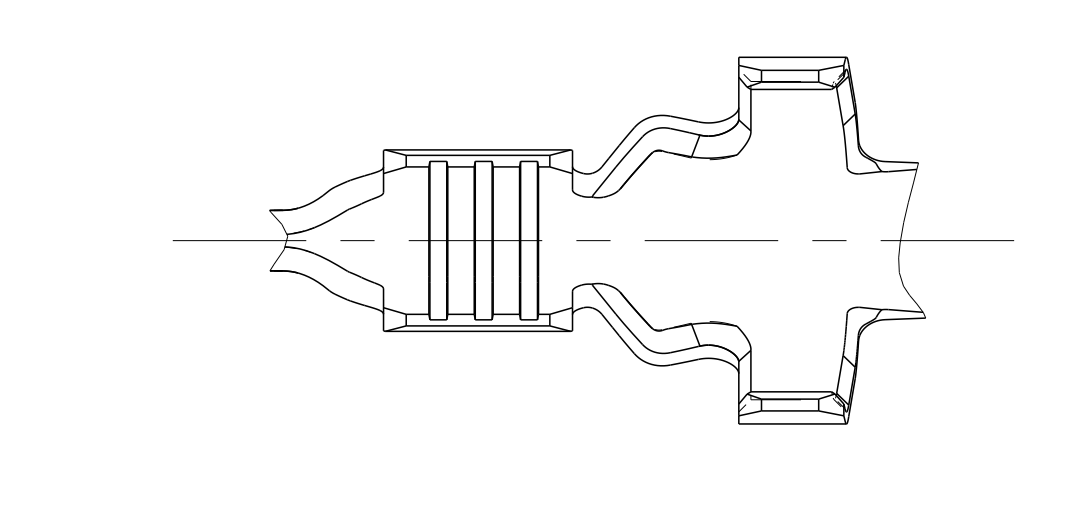
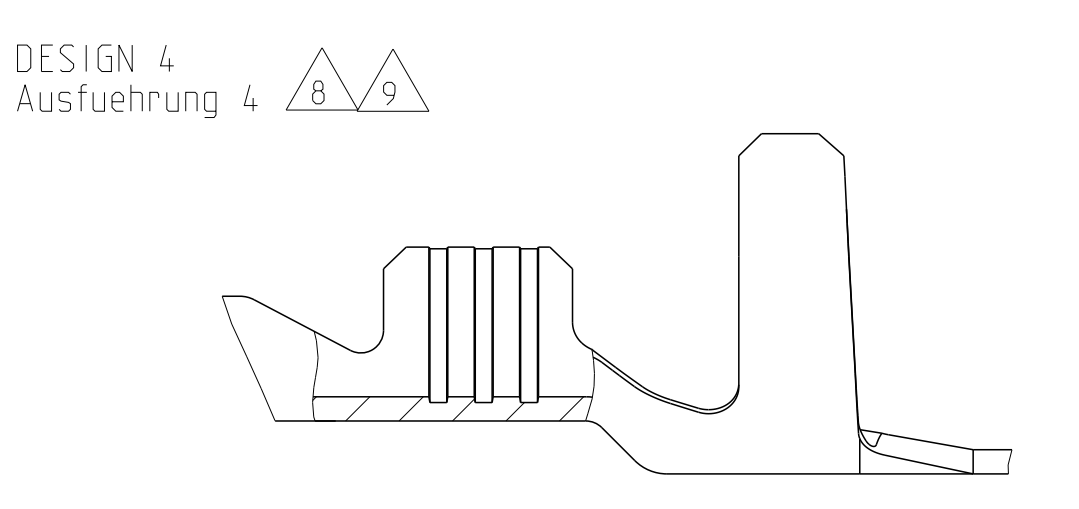
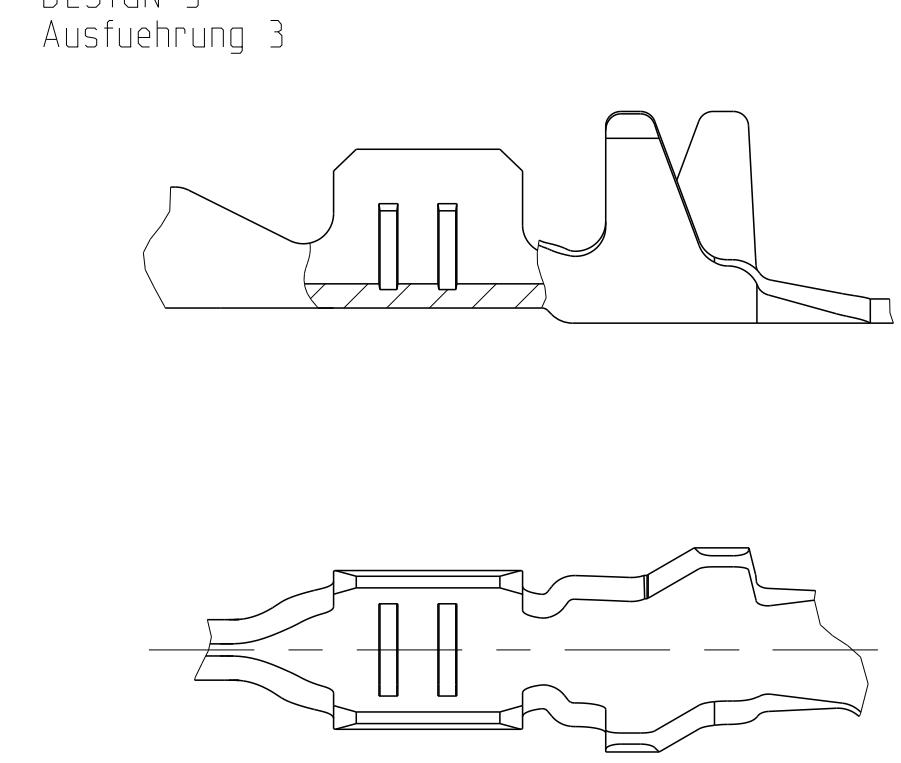
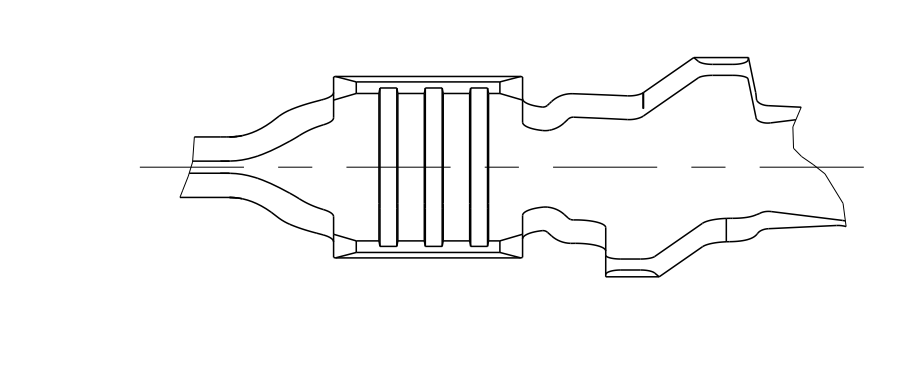
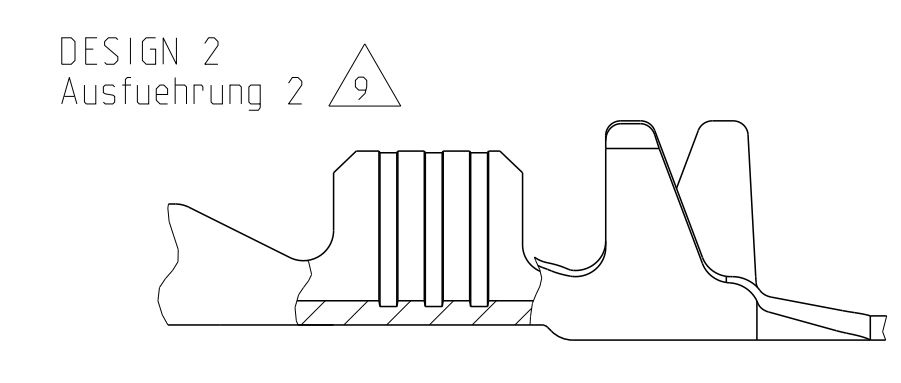
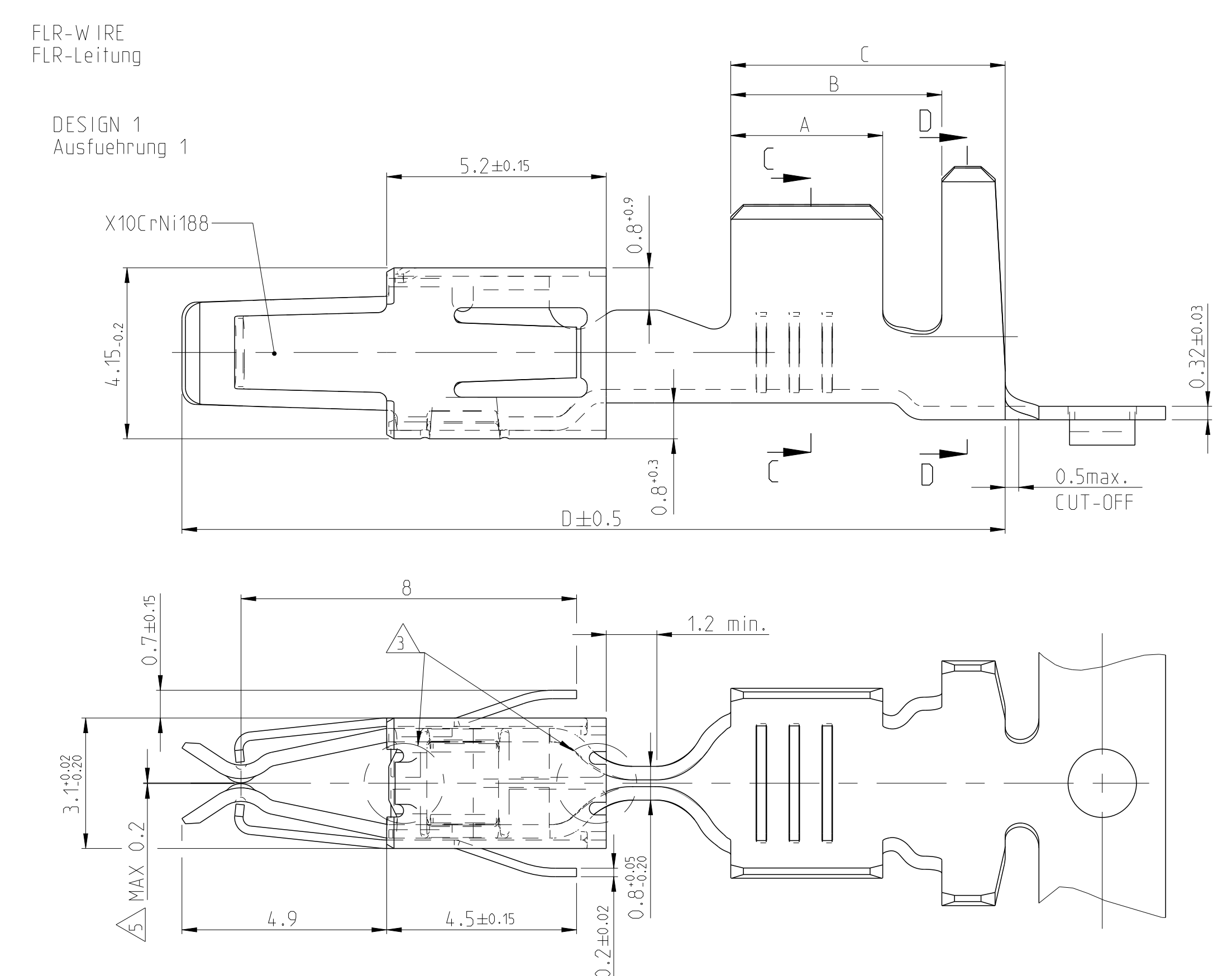


REVISIONS				
NO.	DATE	DESCRIPTION	BY	APPD.
B14	16.02.2015	REMOVED NOTE 7	SK	SH
B15	29.02.2015	ECR-15-014.318	VH	SH
B16	06.08.2016	NOTE ON DIM MAX. 0.2 CHANGED	HO	SCH
B17	02.02.2017	ECR-17-01996. NEW PNG CREATED	MB	PSI

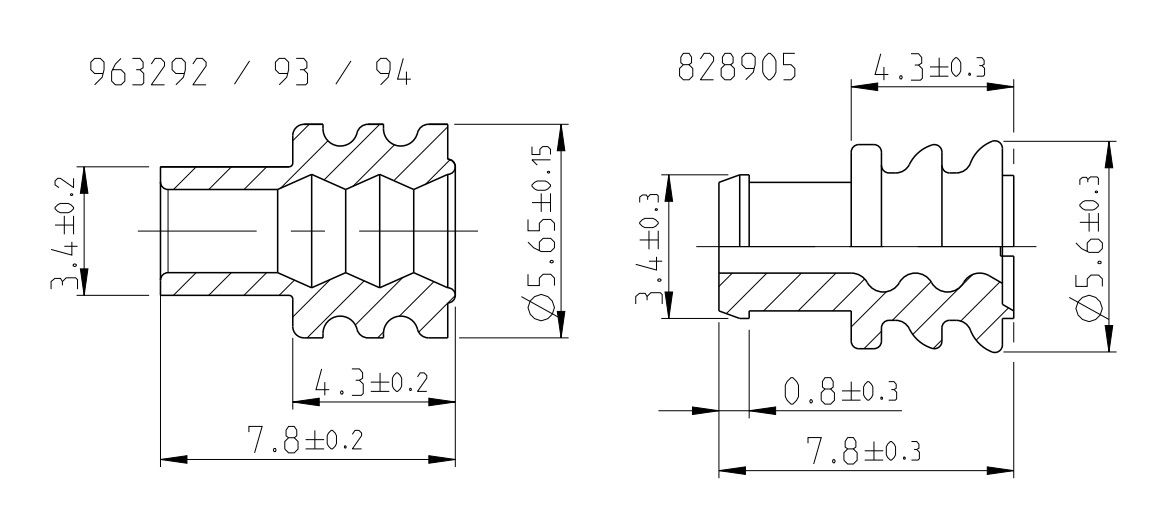


UNSEALED / ungedichtet	REV.	DESIGN Ausführung	MATERIAL Werkstoff	SURFACE Oberflaeche	WIRE RANGE Drahtgrößen Bereich (mm²)	INSULATION Isolations Ø (mm)	CRIMP DIMENSION (mm) Crimpabmessungen (mm)					
							A	B	C	D		
UNSEALED / ungedichtet	1241978-2	A	CuSn 4	PRET INNED vorverzinkt	×2.5-4.0	2.7-3.7	E = 4.5 G = 4.7 DDr = 2.3	H = 5.8 K = 6.0 D = 3.3	3.6	5.0	6.5	19.5
	1241978-1	A	CuFe2	PRET INNED vorverzinkt								
	4-965999-1	F	CuNiSi	△	×1.0-2.5	2.2-3.0	E = 3.6 G = 3.8 DDr = 1.8	H = 4.7 K = 4.9 D = 2.6	3.3	4.3	5.8	18.8
	2-965999-1	F	CuSn 4	△								
	965999-6	A	CuSn 4	PRET INNED vorverzinkt	×0.5-1.0	1.4-2.1	E = 2.5 G = 2.7 DDr = 1.2	H = 3.7 K = 3.9 D = 1.8	3.0	4.0	5.5	18.8
	965999-2	F	CuSn 4	PRET INNED vorverzinkt								
	964284-1	F	CuNiSi	△								
	2-964284-1	F	CuSn 4	△								
	964284-6	A	CuSn 4	△	×0.35	1.2-1.3	E = 2.4 G = 2.3 DDr = 1.0	H = 2.9 K = 2.9 D = 1.4	2.5	3.5	5.6	18.8
	964284-2	F	CuSn 4	PRET INNED vorverzinkt								
	964284-1	F	CuFe2	PRET INNED vorverzinkt	×0.2-0.5	1.15-1.6	E = 2.1 G = 2.1 DDr = 0.8	H = 2.7 K = 2.8 D = 1.4	2.5	3.5	5.6	18.8
	2-2141892-1	A	CuSn 4	△								
2141892-2	A	CuSn 4	PRET INNED vorverzinkt									
2-964280-1	F	CuSn 4	△	×1.0-2.5	2.2-3.0	E = 3.6 G = 3.8 DDr = 1.8	H = 5.3 K = 5.0 D = 3.5	3.5	5.2	6.8	19.55	
964280-2	F	CuSn 4	PRET INNED vorverzinkt									
964280-1	F	CuFe2	PRET INNED vorverzinkt	×0.5-1.0	1.4-2.7	E = 2.5 G = 2.7 DDr = 1.2	H = 5.1 K = 4.8 D = 3.3	3.0	4.7	6.3	19.55	
2-1564326-1	A	CuSn 4	△									
1241872-6	A	CuSn4	△	×0.2-0.5	1.2-2.3	E = 2.1 G = 2.1 DDr = 0.8	H = 4.7 K = 4.5 D = 3.2	2.5	4.7	6.3	19.55	
1241872-1	A	CuFe2	PRET INNED vorverzinkt									
1241868-6	A	CuSn4	△	×1.0-2.5	2.2-3.0	E = 3.6 G = 3.8 DDr = 1.8	H = 5.3 K = 5.0 D = 3.5	3.5	5.2	6.8	19.55	
1241868-1	A	CuFe2	PRET INNED vorverzinkt									
4-1241864-1	A	CuNiSi	△	×1.0-2.5	2.2-3.0	E = 3.6 G = 3.8 DDr = 1.8	H = 5.3 K = 5.0 D = 3.5	3.5	5.2	6.8	19.55	
6-964273-6	F	CuSn 4	△									
3-964273-1	F	CuNiSi	△	×0.5-1.0	1.4-2.7	E = 2.5 G = 2.7 DDr = 1.2	H = 5.1 K = 4.8 D = 3.3	3.0	4.7	6.3	19.55	
2-964273-1	F	CuSn 4	PRET INNED vorverzinkt									
964273-2	F	CuSn 4	PRET INNED vorverzinkt	×0.2-0.5	1.2-2.3	E = 2.1 G = 2.1 DDr = 0.8	H = 4.7 K = 4.5 D = 3.2	2.5	4.7	6.3	19.55	
964273-1	F	CuFe2	PRET INNED vorverzinkt									
6-964286-6	F	CuSn 4	△	×0.2-0.5	1.2-2.3	E = 2.1 G = 2.1 DDr = 0.8	H = 4.7 K = 4.5 D = 3.2	2.5	4.7	6.3	19.55	
2-964286-1	F	CuSn 4	PRET INNED vorverzinkt									
964286-2	F	CuSn 4	PRET INNED vorverzinkt	×0.2-0.5	1.2-2.3	E = 2.1 G = 2.1 DDr = 0.8	H = 4.7 K = 4.5 D = 3.2	2.5	4.7	6.3	19.55	
964286-1	F	CuFe2	PRET INNED vorverzinkt									
2-2141894-1	A	CuSn 4	△	×0.2-0.5	1.2-2.3	E = 2.1 G = 2.1 DDr = 0.8	H = 4.7 K = 4.5 D = 3.2	2.5	4.7	6.3	19.55	
2141894-2	A	CuSn 4	PRET INNED vorverzinkt									
6-964282-6	F	CuSn 4	△	×0.2-0.5	1.2-2.3	E = 2.1 G = 2.1 DDr = 0.8	H = 4.7 K = 4.5 D = 3.2	2.5	4.7	6.3	19.55	
2-964282-1	F	CuSn 4	△									
964282-2	F	CuSn 4	PRET INNED vorverzinkt	×0.2-0.5	1.2-2.3	E = 2.1 G = 2.1 DDr = 0.8	H = 4.7 K = 4.5 D = 3.2	2.5	4.7	6.3	19.55	
964282-1	F	CuFe2	PRET INNED vorverzinkt									

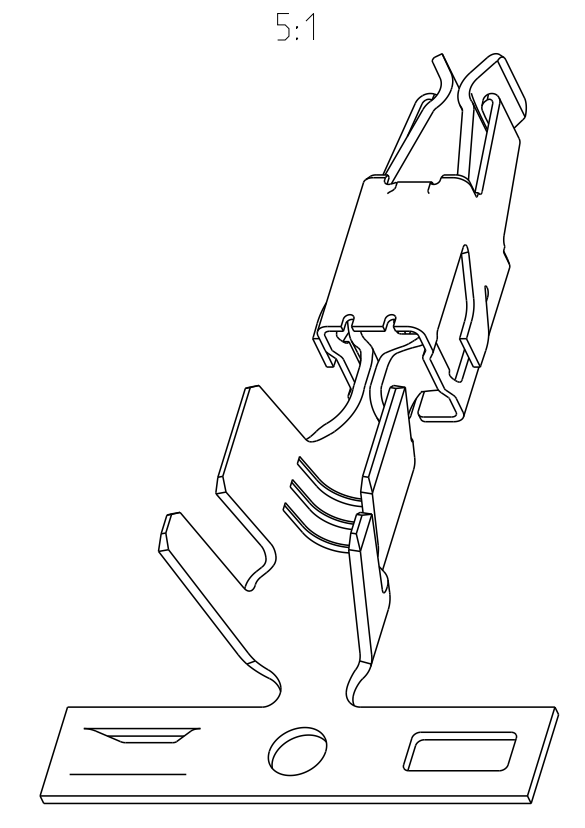
SEE APPLICATION - SPECIFICATION Seite Verarbeiten und spezifizieren 114-18050



- △ BODY ELECTRO TIN PLATED OVER NICKEL 0.2 µm min. Kontaktkörper galv. verzinkt ueber Nickel 0.2 µm min. CONTACT AREA SELECTIV GOLD OVER NICKEL 0.8 µm min. Kontaktzone selektiv vergoldet ueber Nickel 0.8 µm min. WIRE CRIMP AREA ELECTRO TIN PLATED 1 µm min. Drahtcrimbereich galv. verzinkt 1 µm min.
- △ ACCORDING INSULATION DIA IS TO CHOOSE THE SINGLE WIRE SEAL Entsprechend dem Isolationsdurchmesser ist die Einzel-Dichtung auszuwaehlen
- △ CUT OFF OPTIONAL Optionaler Federabschnitt
- △ VARIANTS WITH GAP-SIZE 0.3mm Varianten mit Gap-Size 0.3mm
- △ FOR EVALUATION OF THE GAP-SIZE, THE MATING-FORCE HAS PRIORITY. Zur Beurteilung des Oeffnungsmasses ist die Steckkraft ausschlaggebend
- △ CONTACT BODY PRE-SILVER PLATED MIN. 0.8µm CONTACT ZONE SELECTIVE PRE-SILVER PLATED MIN. 3µm Kontaktkoerper vorversilbert min. 0.8µm Kontaktzone selektiv vorversilbert min. 3µm
- △ PUNCHED WITH VOLATILIZING STAMPING-OIL Gestanzt mit vertuechtigendem Stanzoel
- △ SERRATIONS OVER THE WHOLE WIDTH OF THE CRIMP AREA Rillen ueber die ganze Breite des Crimpbereichs.



SINGLE WIRE SEAL Einzel-Dichtung		
963292-1	2.7-3.0	yellow gelb
963293-1	2.0-2.7	redbrown rotbraun
963294-1	1.2-2.1	blue blau
828905-1	2.2-3.0	white weiss
ORDER No. Bestell-Nr.	INSULATION Ø Isolations Ø	COLOR Colour Farbe



Mouser Electronics

Authorized Distributor

Click to View Pricing, Inventory, Delivery & Lifecycle Information:

[TE Connectivity:](#)

[964280-1](#)