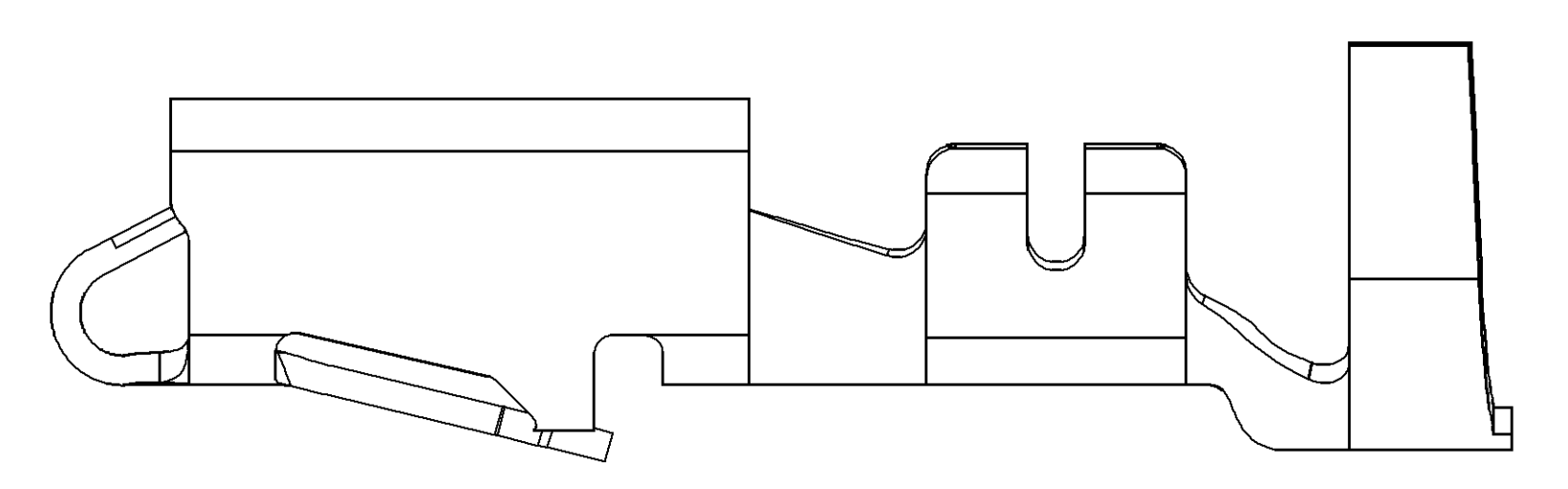
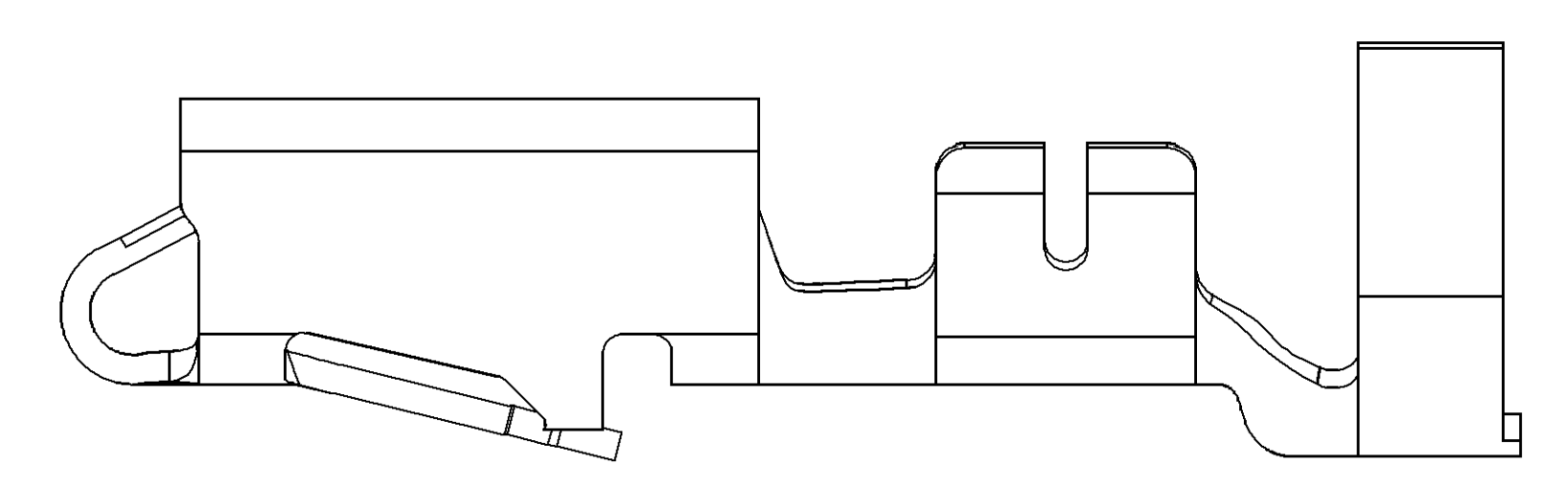


SYMBOL DEFINITION		TOTAL NO OF INSPECTIONS REQUIRED	MISSING SYMBOLS
A DIMENSION WITHOUT AN INSPECTION REPORT SYMBOL DOES NOT REQUIRE INSPECTION. IT MAY BE CONTROLLED ON THE INDIVIDUAL COMPONENT DRAWING.		10	4 6 9
		LAST NO. USED	10

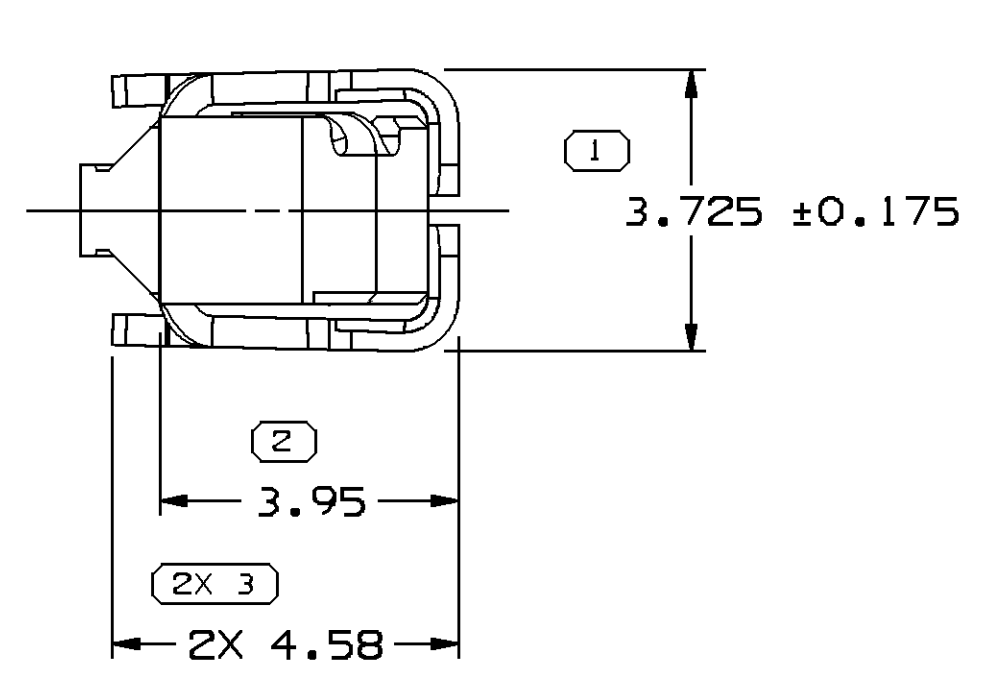
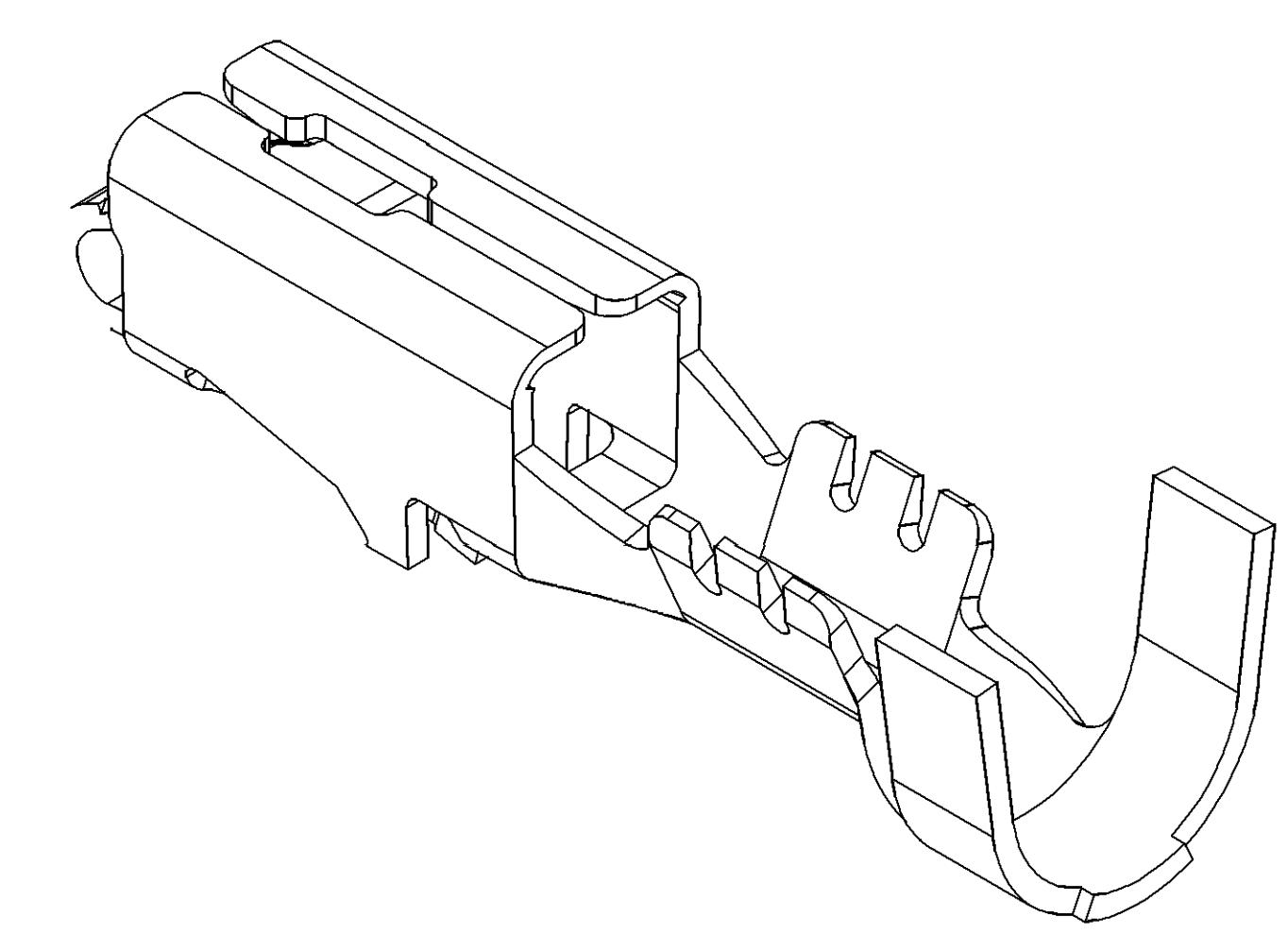
DATE	STG	REV	W/P	CHG	ZONE	REVISION HISTORY	AUTH	DR	APVD	APVD 2
14JAN00	R	001	-	-	-	CLEARED REV COLUMN: ALL ACTIVE PARTS-UPDATED PDM ATTRIBUTES	196648	CRW	081	LLD
17JUL00	R	002	-	-	-	REINSTATE 12077412	000010	JIB	JIB	JA
15OCT04	R	03	-	-	-	ALL ACTIVE PARTS - ADDED TERMINAL ID NOTE	260003	RTV	JVM	MKM
24FEB05	R	04	-	-	-	ALL ACTIVE PARTS - REVISED MAT'L SPEC & DRAWING NAME	265136	JS	JS	TM
18MY05	R	05	-	-	-	12176389 - UPDATED PDM ATTRIBUTES	268280	JBD	FKV	WTM
30SEP05	R	06	-	-	-	12077411, 12077413, 12084201, 12129493 & 12176389 - UPDATED PDM ATTRIBUTES; 12077411 - ADDED 1.0 MM² CABLE; ALL ACTIVE PARTS - ADDED NOTE# 6	272905	JTV	AUG	WTM
11JAN08	R	07	-	-	-	ALL PARTS - 2X 5 +/-0.15 TYP WAS 2X 5 +/-0.01 TYP	403419	WHC	WHC	WTM
18FEB15	R	08	-	-	-	33231919 - RELEASED AND 12176387-90 - ADDED TARNISH NOTE	428904	NRM	JVM	DS



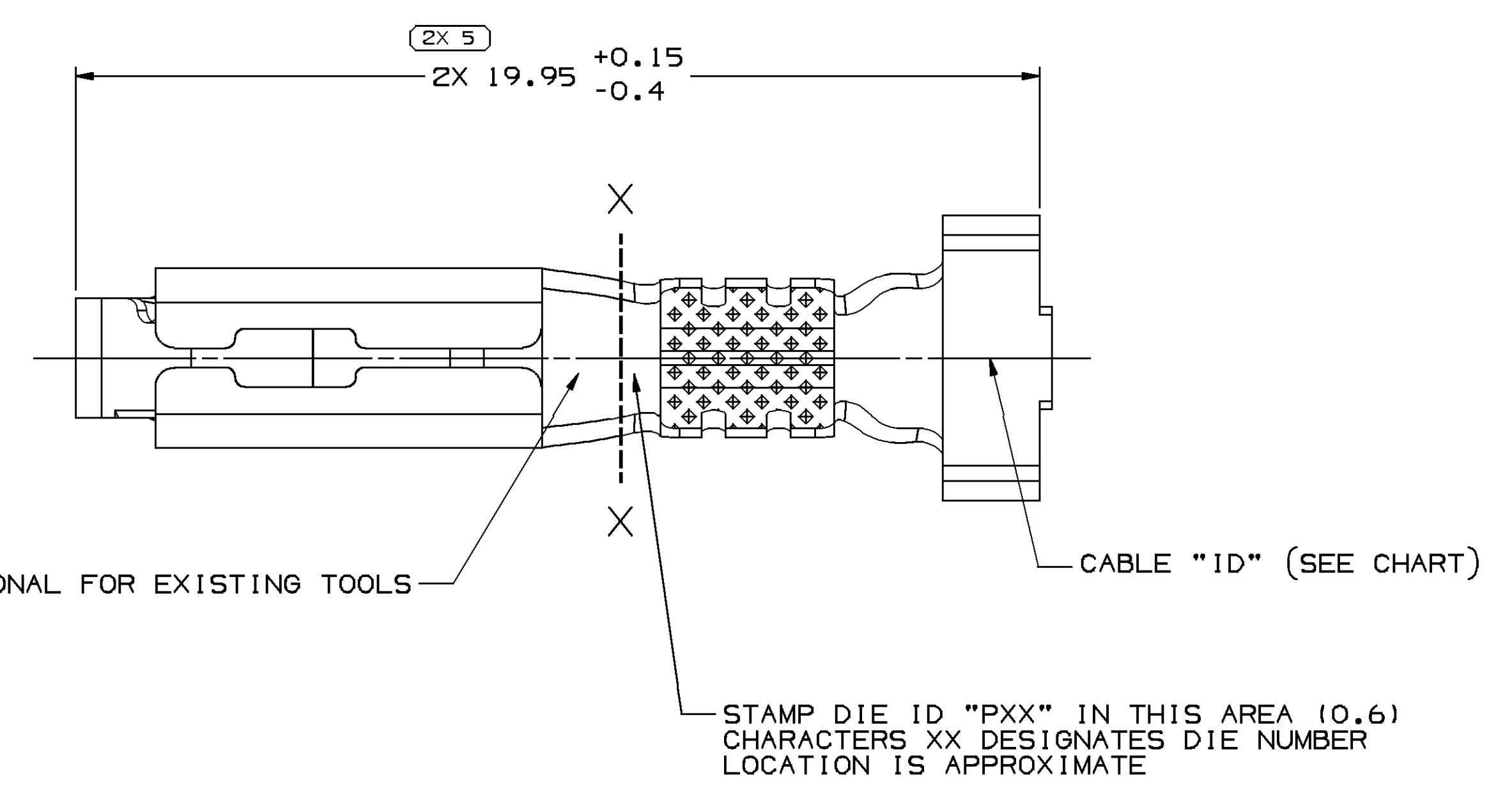
TYPE 102
SAME AS TYPE 101
EXCEPT AS SHOWN



TYPE 103
SAME AS TYPE 101
EXCEPT AS SHOWN



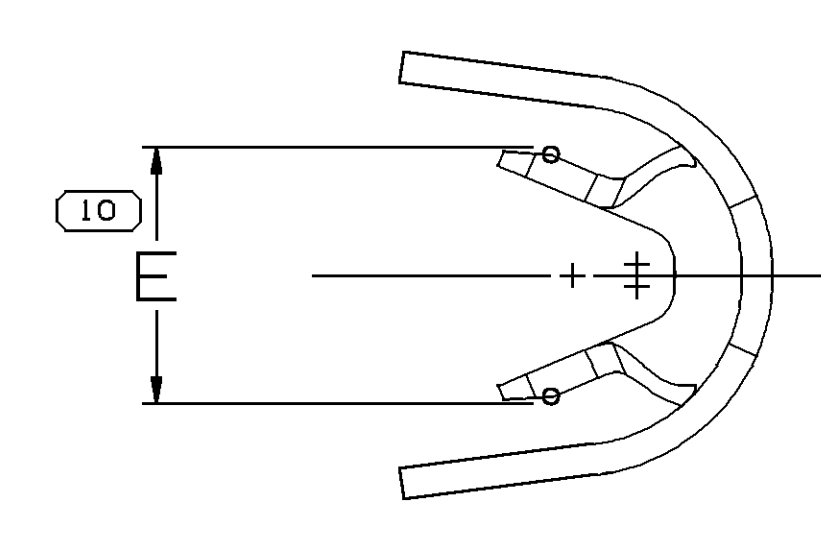
VIEW TO X-X



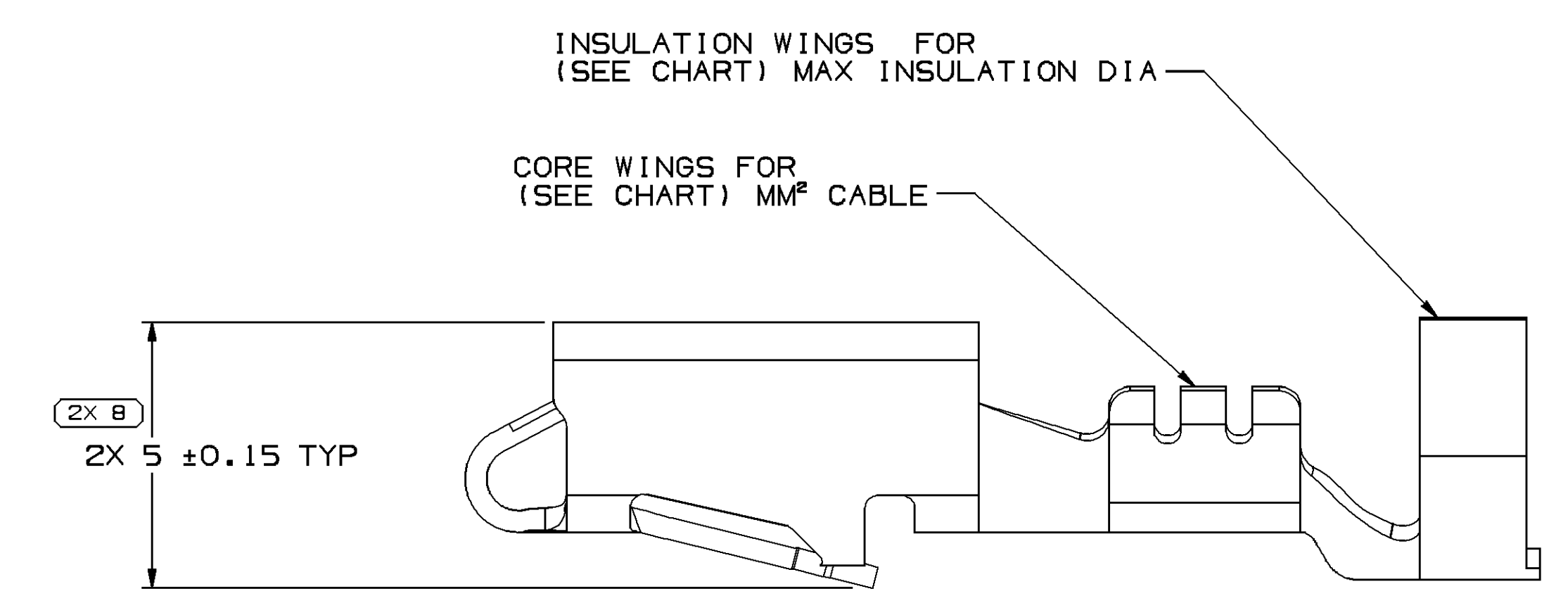
"PED" OPTIONAL FOR EXISTING TOOLS

CABLE "ID" (SEE CHART)

STAMP DIE ID "PXX" IN THIS AREA (0.6) CHARACTERS "XX" DESIGNATES DIE NUMBER LOCATION IS APPROXIMATE



VIEW TO X-X



TYPE 101

- NOTES
- UNLESS OTHERWISE SPECIFIED AND/OR INDICATED: DIMENSIONS ARE TO FACE OF VIEW SHOWN AND AUTOMATICALLY ROUNDED BY COMPUTER FOR INSPECTION (SEE MATH MODEL FOR PRECISE DIMENSIONS). FOR ALL OTHER DIMENSIONS NOT SHOWN BUT REQUIRED FOR TOOL BUILD, SEE MATH MODEL FOR PRECISE TOOL PATH DATA.
 - R 0.4 PERMISSIBLE ON ALL "SHARP" CORNERS
 - RECOMMENDED MATING BLADE 2.8 X 0.81.
 - TERMINALS TO CRIMP AROUND AND RETAIN CAVITY SEAL 12015323 OR EQUIVALENT.
 - "PXX" INDICATES "P" PLUS LAST TWO DIGITS OF MAKE SERIES NUMBER (PO1, PO2, PO3, ETC.).
 - DO NOT PROBE, TEST OR OTHERWISE CONTACT THE INTERIOR REGION (THE SPRING OR ANY MOVING PART) OF THIS TERMINAL. SEVERE DAMAGE CAN OCCUR, COMPROMISING THE PERFORMANCE OF THE ELECTRICAL INTERFACE.
 - FOR TERMINALS PACKAGED & STORED IN THE APPROVED MANNER, TARNISH ON SILVER PLATED SURFACES WILL NOT AFFECT THE PERFORMANCE OF THE PART.

PART NO	REV	MAT'L SIZE	SPEC	PART NO	REV	MAT'L SIZE	SPEC	SIZE (MM²)	CABLE	ID	TYPE	
-	-	0.406 X 30.56	-	12176390	AB	-	-	0.35-0.5	0.35-0.5	21	103	2.4±0.2
-	-	-	-	12176389	A9	-	-	0.8-1	2.03-3.12	19	101	3.2±0.4
-	-	0.406 X 30.56	-	33231919	O1	-	-	1-2	2.48-3.05	15	103	3.7±0.4
-	-	0.406 X 30.56	-	12176388	AB	-	-	2-3	2.45-3.80	13	103	4±0.4
-	-	0.406 X 30.56	-	12176387	AB	-	-	5	3.49-3.65	12	103	4.6±0.4
-	-	0.406 X 30.56	-	12129493	CB	-	-	2-3	2.45-3.80	13	103	4±0.4
-	-	0.406 X 30.56	-	12084201	E11	-	-	0.35-0.5	1.84-2.51	21	101	2.4±0.2
-	-	0.406 X 30.56	-	12077413	E11	-	-	3	3.49-3.65	12	103	4.6±0.4
-	-	0.406 X 30.56	-	12077412	E9	-	-	1-2	2.48-3.05	15	103	3.7±0.4
-	-	0.406 X 30.56	-	12077411	E11	-	-	0.5-0.8-1.0	2.03-3.12	19	101	3.2±0.4
-	-	0.406 X 32.54	-	12045639	DB	-	-	3	3.49-3.65	12	102	4.6±0.4
-	-	0.406 X 32.54	-	12034454	FB	-	-	1-2	2.48-3.05	15	102	3.7±0.4
-	-	0.406 X 32.54	-	12026648	HB	-	-	0.5-0.8	2.03-3.12	19	101	3.2±0.4
PART NO	REV	MAT'L SIZE	SPEC	PART NO	REV	MAT'L SIZE	SPEC	SIZE (MM²)	CABLE	ID	TYPE	
-	-	UNPLATED	-	-	-	UNPLATED	-	-	-	-	-	

DELPHI
DELPHI PACKARD ELECTRICAL/ELECTRONIC ARCHITECTURE
WARREN, OH
COPYRIGHT 1998 DELPHI CORPORATION AND/OR ITS AFFILIATES. ALL RIGHTS RESERVED.
THIS DRAWING IS THE PROPERTY OF DELPHI CORPORATION AND CONTAINS DELPHI CONFIDENTIAL INFORMATION. THE REPRODUCTION, DISTRIBUTION AND UTILIZATION OF THIS DOCUMENT OR ITS CONTENTS OR DATA, AS WELL AS COMMUNICATION OF ANY CONTENT TO OTHERS, WITHOUT EXPRESS AUTHORIZATION, IS PROHIBITED.

DATE: 16JUL98

OR: JORGE IBARRA

APV02: OSCAR OCHOA

APV03: O. GALLEGOS

APV04:

APV05:

SUBSTANCES OF CONCERN AND RECYCLED CONTENT, PER DELPHI (0949001)

MATERIAL: SEE CHART

DRAWING NUMBER: TAXI TERM F M/P 280 SEALED

DRAWING NUMBER: 12089195

SIZE: A0

SCALE: 10:1

FRAME NO: 1 OF 1

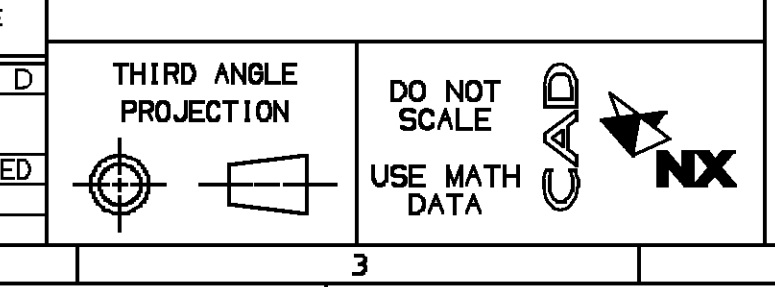
SHEET NO: 1 OF 1

STG: R

REV: 08

W/P: -

PROCESS SENSITIVE DIMENSION	1
DIMENSIONS ENCLOSED IN () INDICATE REFERENCE DIMENSIONS AND NO TOLERANCE LIMITS ARE ESTABLISHED	
DIMENSIONAL RANGE (MM)	CHART ID
FROM 0	> 12
TO 15	
TOLERANCE UNLESS OTHERWISE SPECIFIED	
±0.1	±0.2
ANGULAR TOLERANCE ±2°	



Date: 05-Nov-15 Time: 11:14

Mouser Electronics

Authorized Distributor

Click to View Pricing, Inventory, Delivery & Lifecycle Information:

[Aptiv:](#)

[12077411-L](#) [12077413-L](#) [12084201-L](#) [12129493-L](#) [12176389-L](#) [12176388-L](#) [12077412-L](#) [12176387-L](#)