

DWG. NO. SD-35362-001

SIMILAR ITEM

PROJECT NO.

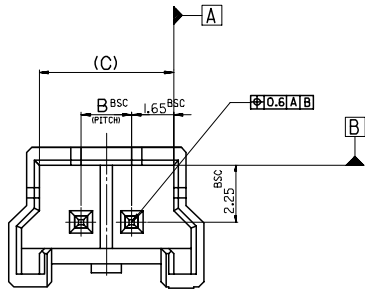
C

B

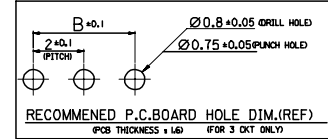
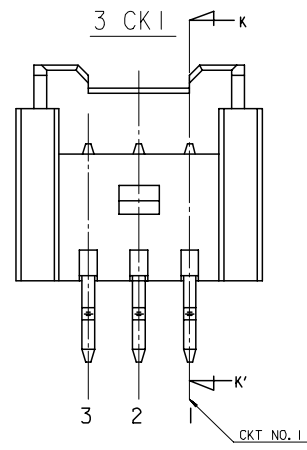
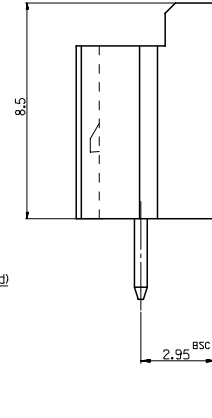
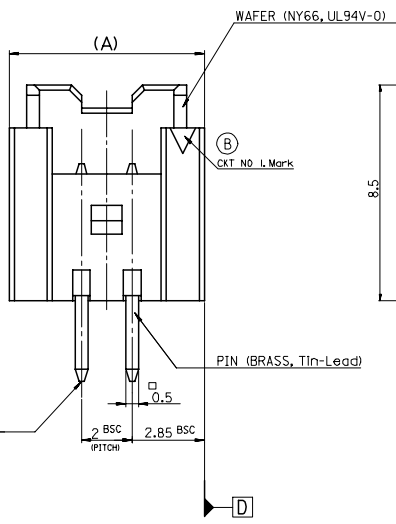
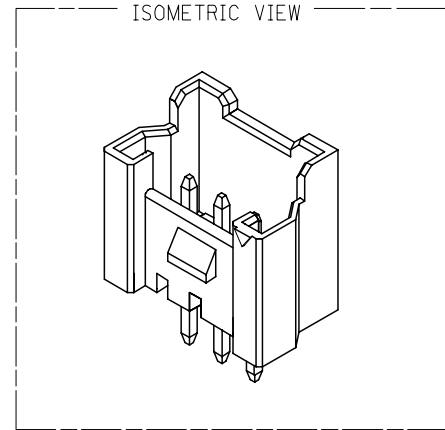
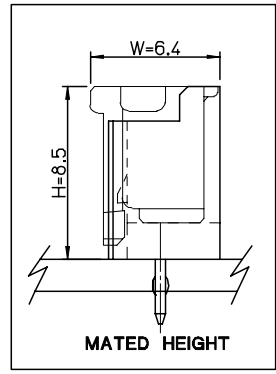
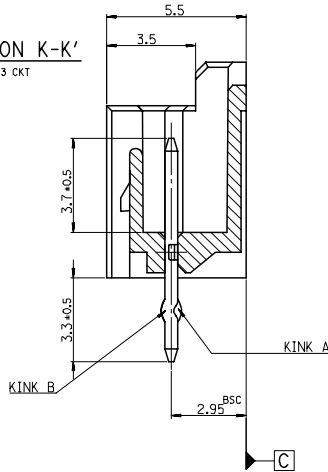
DO NOT SCALE DRAWING  
DIMENSION IN METRIC

8 7 6 5 4 3 2 1

FOR 2 & 3 CKTS.



SECTION K-K'  
ONLY 3 CKT



**LEGEND**

SD-35362-\*\*\*

CTKT NO. \_\_\_\_\_ COLOR \_\_\_\_\_

FINAL GOOD (BULK) — 1 : SELECTIVE KINK  
2 : NONE KINK

SUB ASSY (TUBE) — 3 : SELECTIVE KINK  
4 : NONE KINK

KINK — 0 : NATURAL  
1 : BLACK  
2 : RED  
3 : YELLOW  
4 : BLUE  
5 : GREEN

7.3	4	9.7	35362-03**	3
5.3	2	7.7	35362-02**	2
(C)	B	(A)	ENG. NO.	CKT

**NOTES**

- MATERIAL : WAFER : POLYAMIDE(PA), NO GLASS, UL94V-0 . NATURAL COLOR  
PIN : BRASS . TIN LEAD PLATED
- FINISHES : TERMINAL : Sn-Pb 2~3um OVERALL
- PRODUCT SPECIFICATION : PS-35507
- MATING HOUSING : 35507-\*\*\*  
MATING TERMINAL : 50212-8000
- KINK

CKT NO	1	2	3
2 CKT	NONE KINK		
3 CKT	A	B	A

30 over	±0.3
10 over 30 under	±0.25
10 under	±0.2
ANGLE	±3°
GENERAL TOLERANCE	

**REVISED**

ECN NO. KOR2006-0004  
DRWN: Y.Soo.Kim 05/07/05  
CHK: Y.Soo.Kim 05/07/05  
APPR: C.W.Lee

QUALITY SYMBOLS

MAJOR =

CRITICAL =

DESCRIPTION

REV

GENERAL TOLERANCES: (UNLESS SPECIFIED)

	mm	INCH
4 PLACES	±0.	±.
3 PLACES	±0.	±.
2 PLACES	±0.	±.
1 PLACE	±0.	±.

ANGULAR: ± 3°

DRAFT WHERE APPLICABLE MUST REMAIN WITHIN DIMENSIONS

SCALE 1:1

DESIGN UNITS  mm  INCH

THIRD ANGLE PROJECTION  THIRD ANGLE  FIRST ANGLE

TITLE: 2.0mm W/B CONN. WAFER ASS'Y (S/T)

MOLEX INCORPORATED

CAD FILENAME: SD35362-001-S02

MATERIAL NO. See Table

DRAWING NO. SD-35362-001

SHEET NO. 2 of 3

THIS DRAWING CONTAINS INFORMATION THAT IS PROPRIETARY TO MOLEX INCORPORATED AND SHOULD NOT BE USED WITHOUT WRITTEN PERMISSION.

SIZE B

F

E

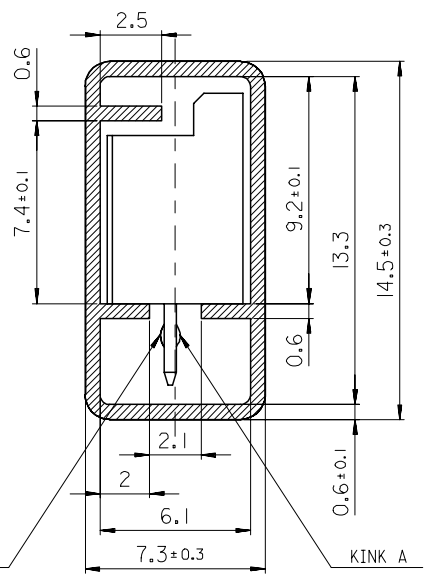
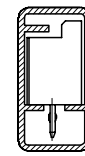
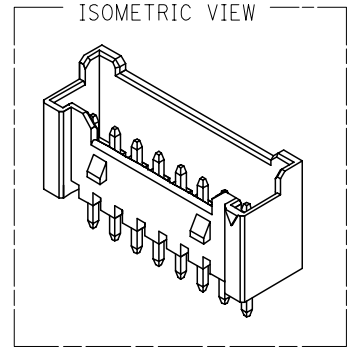
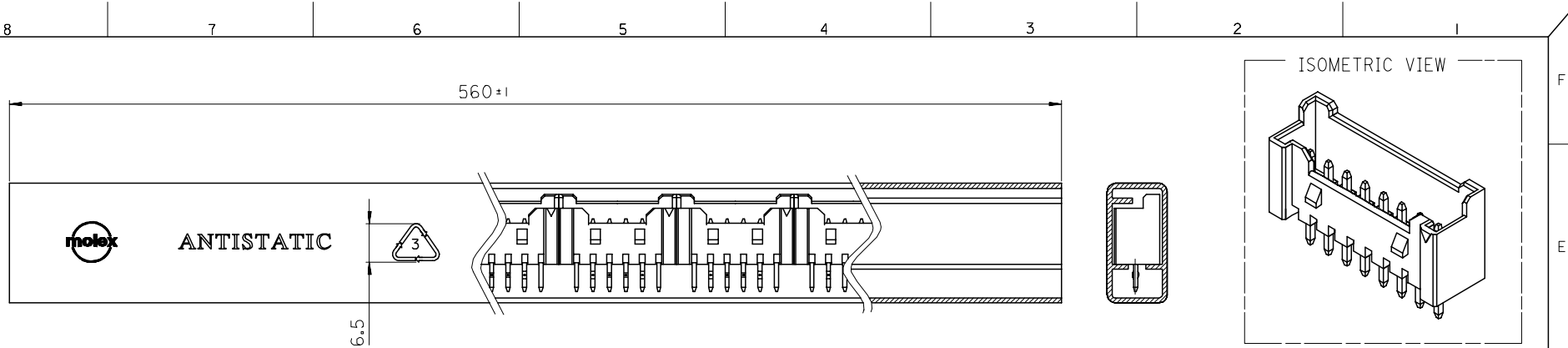
D

C

B

A

8 7 6 5 4 3 2 1 KOREA MX-A3



**LEGEND.**

E-35362-\*\*\* \*\* \*  
2-20 Circuits-CKT NO.

Final GOOD (Bulk)  
Sub Assy (Tube)

Final GOOD (Bulk)  
1 : SELECTIVE KINK  
2 : NONE KINK

Sub Assy (Tube)  
3 : SELECTIVE KINK  
4 : NONE KINK

COLOR & PACKING

0 : NATURAL  
1 : BLACK  
2 : RED  
3 : YELLOW  
4 : BLUE  
5 : GREEN  
6 : TUBE PACKING (Natural Color)  
7 : TUBE PACKING (RED Color)  
8 : TUBE PACKING (BLUE Color)

**NOTES**

- MATERIAL : TUBE - TRANSLUCENT P.V.C (P-1000)  
Wafer - POLYAMIDE, UL94V-0  
PIN - BRASS SO 0.5mm
- BOW(CAMBER) : 1.0mm MAX/Total Length
- DIMENSIONS GIVEN ACROSS CENTER LINES ARE SYMMETRICAL ABOUT THOSE CENTER LINES WITH HALF THE TOTAL LENGTH.
- TOTAL TUBE LENGTH : 560mm ± 1mm
- TWIST : 5° MAX./Total Length
- BURRS : 0.2mm MAX.
- SKEW : PRODUCTS MUST BE FLOWED SMOOTHLY WHEN THIS STICK IS PLACES 30° ANGLE.
- THICKNESS : 0.6mm ± 0.1mm
- ARTWORK : PER E-35900-0434 (SILK SCREEN COLOR : RED)
- APPLICABLE STOPPER(RUBBER) : 35900-0435

**TABLE**

10	20**	-20**	20
10	19**	-19**	19
10	18**	-18**	18
10	17**	-17**	17
15	16**	-16**	16
15	15**	-15**	15
15	14**	-14**	14
15	13**	-13**	13
15	12**	-12**	12
20	11**	-11**	11
20	10**	-10**	10
25	09**	-09**	9
25	08**	-08**	8
30	07**	-07**	7
35	06**	-06**	6
40	05**	-05**	5
50	04**	-04**	4
60	03**	-03**	3
70	3536202**	35362-02**	2
QT'y	Material NO.	ENG. NO.	CKT

KINK TABLE(FOR 35362-\*\*\*\*)

CKT NO	1	2	3	4	5	N-2	N-1	N
6 CKT OVER	-	A	B	-	-	B	A	-
5 CKT	A	B	-	B	A	/	/	/
4 CKT	A	B	B	A	/	/	/	/
3 CKT	A	B	A	/	/	/	/	/
2 CKT	None Kink		/	/	/	/	/	/

NEW RELEASED EC NO. KOR2006-0082 DRWN: K.S.KIM (060102) CHK: Y.Soo.KIM APPR: SH.CHOI	QUALITY SYMBOLS MAJOR = CRITICAL =	GENERAL TOLERANCES: (UNLESS SPECIFIED)	SCALE 5 : 1	DESIGN UNITS <input checked="" type="checkbox"/> mm <input type="checkbox"/> INCH	THIRD ANGLE PROJECTION	DIMENSIONS: <input type="checkbox"/> mm INCH <input type="checkbox"/> INCH <input checked="" type="checkbox"/> mm ONLY	SHT	REV
		4 PLACES ±0.1 3 PLACES ±0.2 2 PLACES ±0.3 1 PLACE ±0.2	mm INCH	DRAWN BY & DATE K.S.KIM (060102)	TITLE: TUBE PACKAGING FOR 35362-****			
A	DESCRIPTION	ANGULAR: ± 1 °	DRAFT WHERE APPLICABLE MUST REMAIN WITHIN DIMENSIONS	CHECKED BY & DATE Y.Soo.KIM	MATERIAL NO. SEE TABLE	MOLEX INCORPORATED KOREA	SHEET NO. 1 of 1	REVISE ON CAD ONLY
				APPROVED BY & DATE SH.CHOI	DRAWING NO. SD-35362-004	MOLEX	SIZE B	

THIS DRAWING CONTAINS INFORMATION THAT IS PROPRIETARY TO MOLEX INCORPORATED AND SHOULD NOT BE USED WITHOUT WRITTEN PERMISSION.