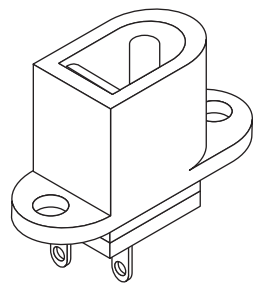


DC Power Jack

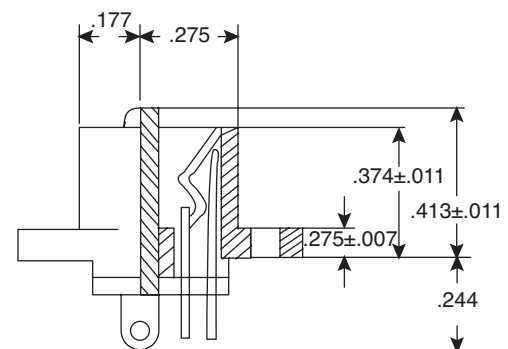
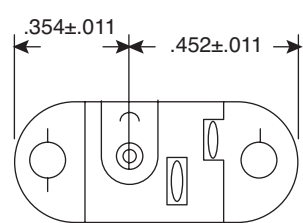
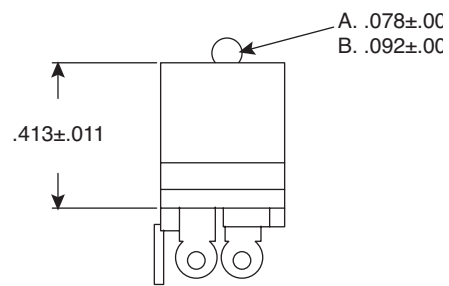
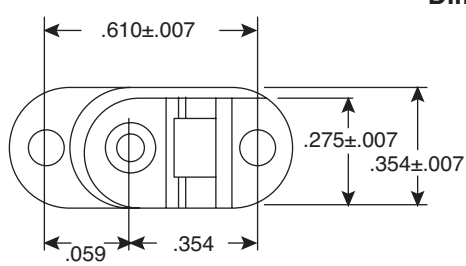
16PJ221, 16PJ222



DC Power Jack



Dimensions: In.



SPECIFICATIONS

Withstanding voltage:	1 minute @ 250VAC
Insulation resistance:	more than 50MΩ @ 250VAC
Contact resistance:	less than 30mΩ
Insertion:	0.5-2.0 Kgs
Life:	more than 10,000 cycles
Plastic:	Duracon
Rating:	DC 12V 0.5A max.

16PJ222	2.1mm Panel mount DC jack w/ NC Switch
16PJ221	2.5mm Panel mount DC jack w/ NC Switch

Date Last Revised: 6/21/12

16PJ221, 16PJ222

Available from Mouser Electronics
 1-800-346-6873
www.mouser.com

KC-300015

Specifications are subject to change without notice. No liability or warranty implied by this information. Environmental compliance based on producer documentation.

Mouser Electronics

Authorized Distributor

Click to View Pricing, Inventory, Delivery & Lifecycle Information:

[Kobiconn:](#)

[16PJ221](#) [16PJ222](#)