

THIS DRAWING IS UNPUBLISHED.

RELEASED FOR PUBLICATION FEB ,2004.

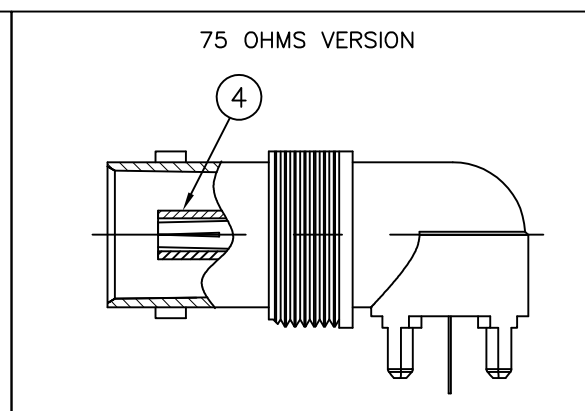
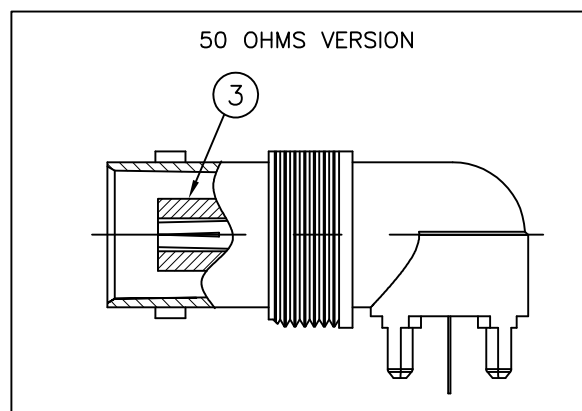
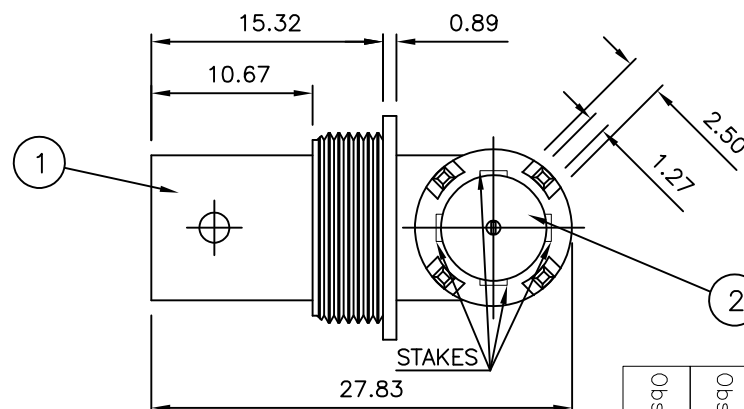
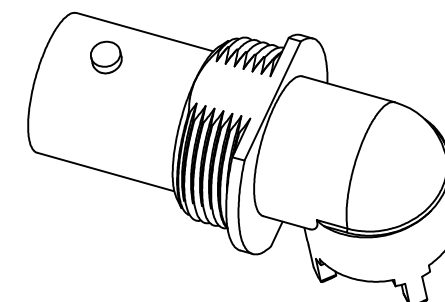
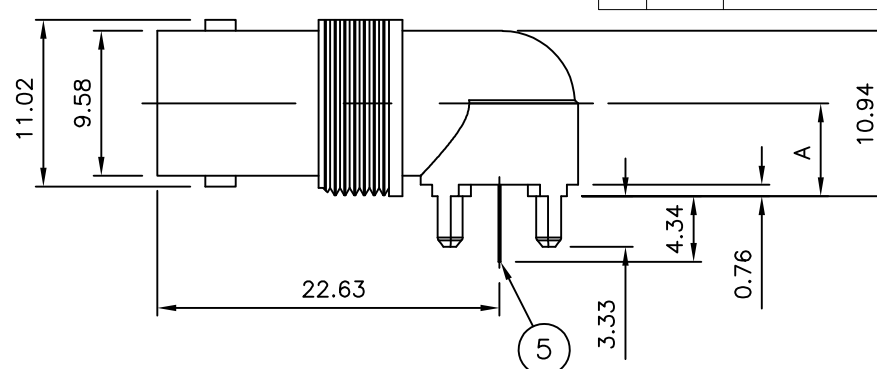
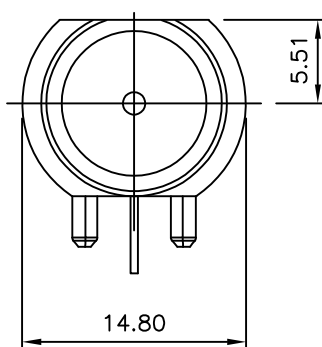
© COPYRIGHT 2004 By -

ALL RIGHTS RESERVED.

LOC	DIST	REVISIONS			
P	LTR	DESCRIPTION	DATE	DWN	APVD
E	B	G	REVISED PER ECO-12-002190	03FEB12	TT MT
		G1	REVISED PER ECR-17-005149	11APR17	BW RS

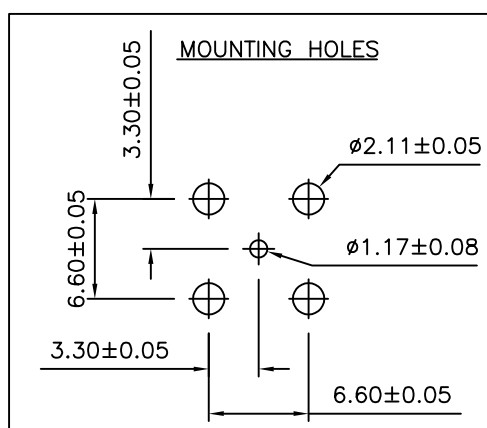
NOTES:

- 1 PACK IN ACCORDANCE WITH AMP SPEC 107-3275
- 2 100 TRAY PACK IN ACCORDANCE WITH AMP SPEC 107-3275
- 3 Au PLATING
- 4 Ni PLATING
- 5 FOR TECHNICAL DATA REFER TO YOUR LOCAL TE CONNECTIVITY SALES OFFICE
- 6 ALL DIMENSIONS ARE NOMINAL FOR REFERENCE ONLY UNLESS OTHERWISE STATED

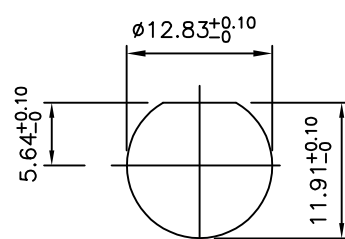


QUANTITY PER ASSY		PARTS LIST								
1	1	1	1	1	PHOSPHER BRONZE Δ	CONTACT	5			
1	1	-	-	1	TPX	INSULATION	4			
-	-	1	1	1	TPX	INSULATION	3			
1	1	1	1	1	PTFE	INSULATION	2			
1	1	1	1	1	ZINC ALLOY Δ	BODY	1			
5--7	5--6	5--5	5--4	5--3	5--2	5--1	5--0	MATERIAL	DESCRIPTION	ITEM
Δ	Δ	Δ	Δ	Δ	Δ	Δ	Δ			

6.91	BNC LP ELBOW BULKHEAD PCB SKT 75 OHMS 6.91 BULK	5-1634556-7
Obsolete	6.91 BNC LP ELBOW BULKHEAD PCB SKT 75 OHMS 6.91	5-1634556-6
Obsolete	6.91 BNC LP ELBOW BULKHEAD PCB SKT 50 OHMS 6.91 BULK	5-1634556-5
6.91	BNC LP ELBOW BULKHEAD PCB SKT 50 OHMS 6.91	5-1634556-4
Obsolete	6.15 BNC LP ELBOW BULKHEAD PCB SKT 75 OHMS 6.15 BULK	5-1634556-3
Obsolete	6.15 BNC LP ELBOW BULKHEAD PCB SKT 75 OHMS 6.15	5-1634556-2
6.15	BNC LP ELBOW BULKHEAD PCB SKT 50 OHMS 6.15 BULK	5-1634556-1
6.15	BNC LP ELBOW BULKHEAD PCB SKT 50 OHMS 6.15	5-1634556-0
A	DESCRIPTION	PART NUMBER
DIM		



RECOMMENDED MOUNTING HOLE MAX PANEL THICKNESS: 5.5mm



THIS DRAWING IS A CONTROLLED DOCUMENT.

DIMENSIONS:	TOLERANCES UNLESS OTHERWISE SPECIFIED:
mm	
0 PLC	± 0.5
1 PLC	± 0.3
2 PLC	± 0.2
3 PLC	± -
4 PLC	± -
ANGLES	± -
FINISH	

DWN	RITA ZUO	10 Mar 09
CHK	ANSON MA	10 Mar 09
APVD	BOB ZHAO	10 Mar 09
PRODUCT SPEC	108-112000	
APPLICATION SPEC		
WEIGHT	0	
CUSTOMER DRAWING		

		TE Connectivity	
		NAME	
BNC LP ELBOW BULKHEAD PCB SKT		RESTRICTED TO	
50 & 75 OHMS			
SIZE	CAGE CODE	DRAWING NO	
A3	00779	C-1634556	
SCALE	NTS	SHEET	1 OF 1
REV	G1		

Mouser Electronics

Authorized Distributor

Click to View Pricing, Inventory, Delivery & Lifecycle Information:

[TE Connectivity:](#)

[5-1634556-0](#)