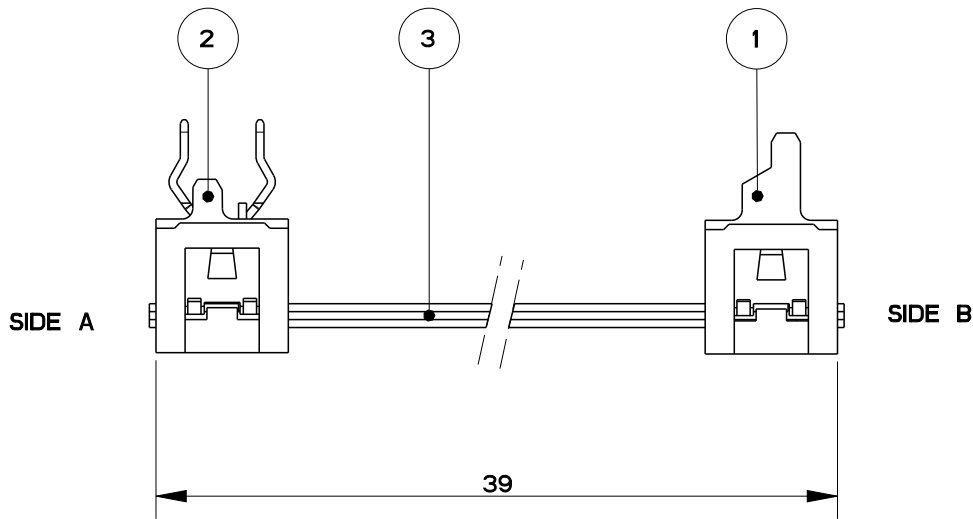
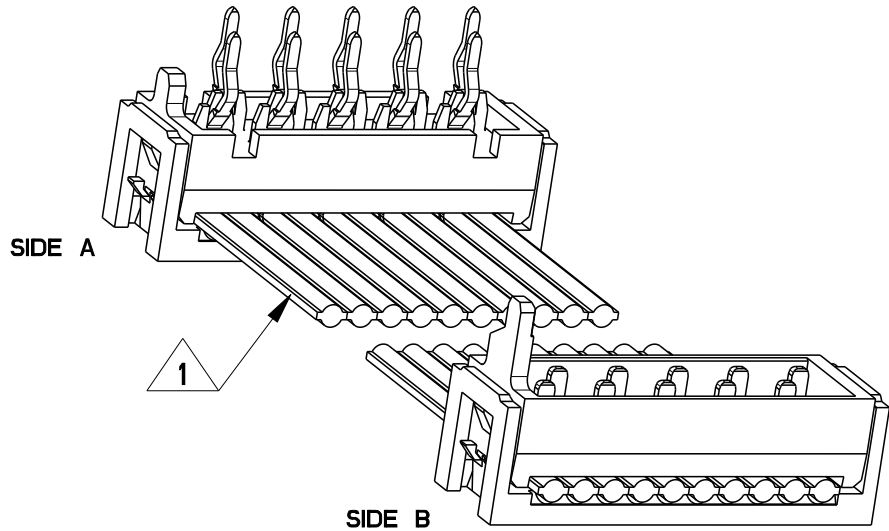


LOC	DIST	REVISIONS					
H	-	P	LTR	DESCRIPTION	DATE	DWN	APVD
			O	EH00-0961-97	18-09-97	-	TVS
	A	EH00-0093-98	23-01-98	-	TVS		
	C	EH00-0854-98	01-07-98	-	TVS		
	C1	TE LOGO CHANGED	18FEB15	GSK	GA		

NOTES:

- 1 WIRE RED MARKED
- 2 ASSEMBLIES ARE PACKED ACCORDING PACKAGING SPEC. : 107-19574



3	-	BULK-WIRE FLAT RIBBON CABLE	1
2	-	MICRO-MATCH PADDLE BOARD CONNECTOR	1
1	-	MICRO-MATCH MALE ASS'Y	1
ITEM	PARTNUMBER	DESCRIPTION	QTY.

DIMENSIONS:		DWN	H.SARIMEHMET	MATERIAL	TBD	FINISH	-	
mm		CHK	T.VISSERS	TE Connectivity				
TOLERANCES UNLESS OTHERWISE SPECIFIED:		APVD	J.V.GRUNSVEN					
0 PLC	±5	PRODUCT SPEC	-	NAME				10 POS. MICRO-MATCH LEAD ASS'Y
1 PLC	±4	APPLICATION SPEC	-	SIZE	A 4	CAGE CODE	-	
2 PLC	±4	WEIGHT	-	DRAWING NO	C-3-161342-6		RESTRICTED TO	
3 PLC	±4							
4 PLC	±4							
ANGLES	±0.2°							
		Customer Drawing		SCALE	7:2	SHEET	1 OF 1	
						REV	C1	

20

RELEASED FOR PUBLICATION

ALL RIGHTS RESERVED.

BY -

© COPYRIGHT 20

THIS DRAWING IS UNPUBLISHED.

Mouser Electronics

Authorized Distributor

Click to View Pricing, Inventory, Delivery & Lifecycle Information:

[TE Connectivity:](#)

[3-161342-6](#)