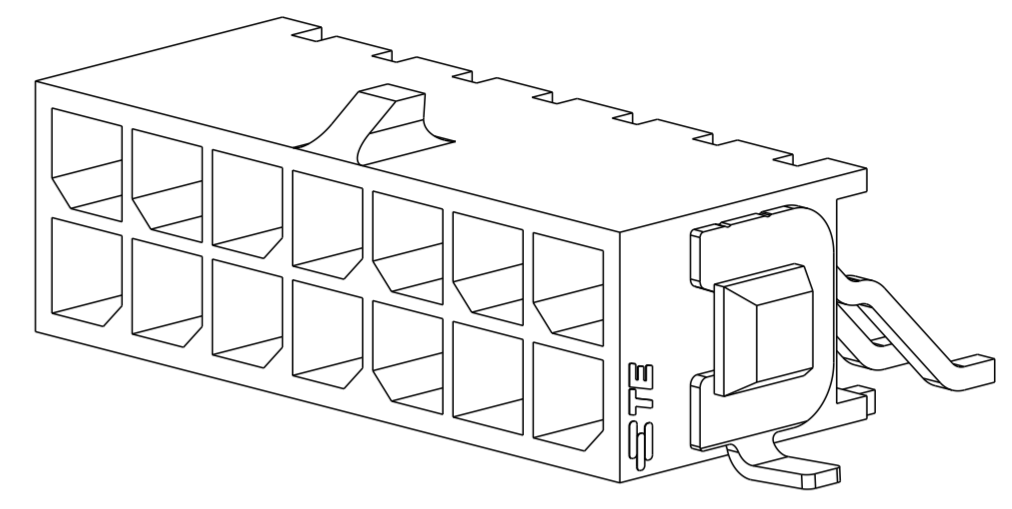
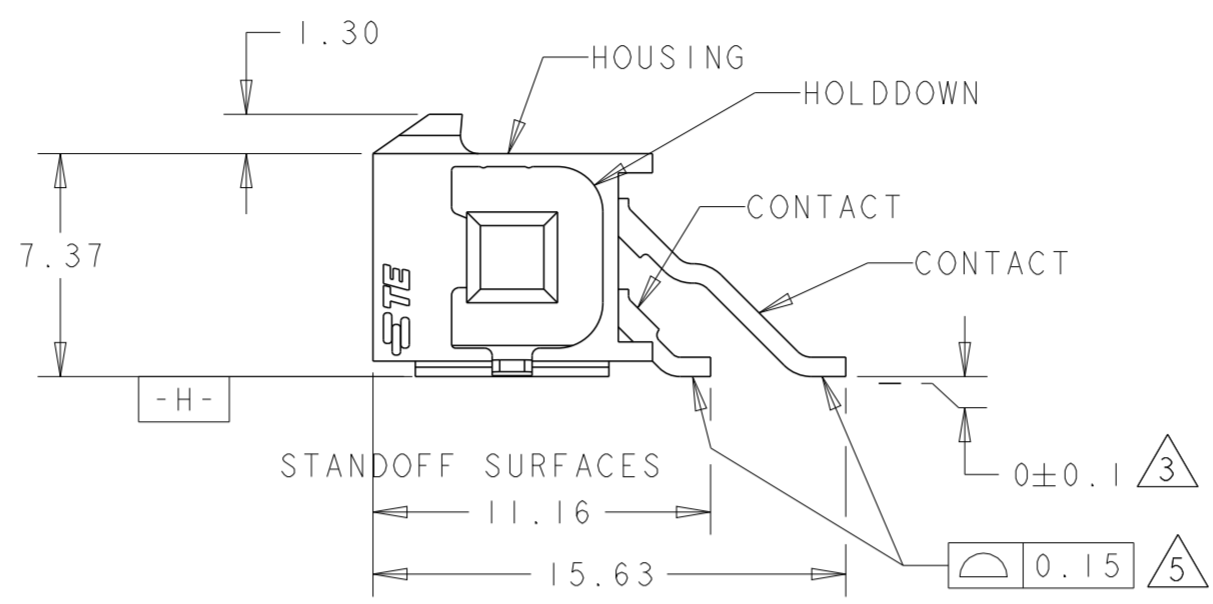
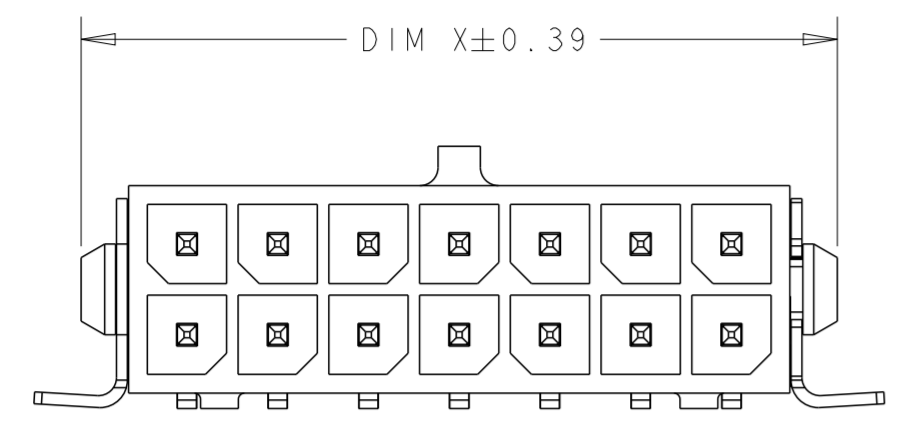
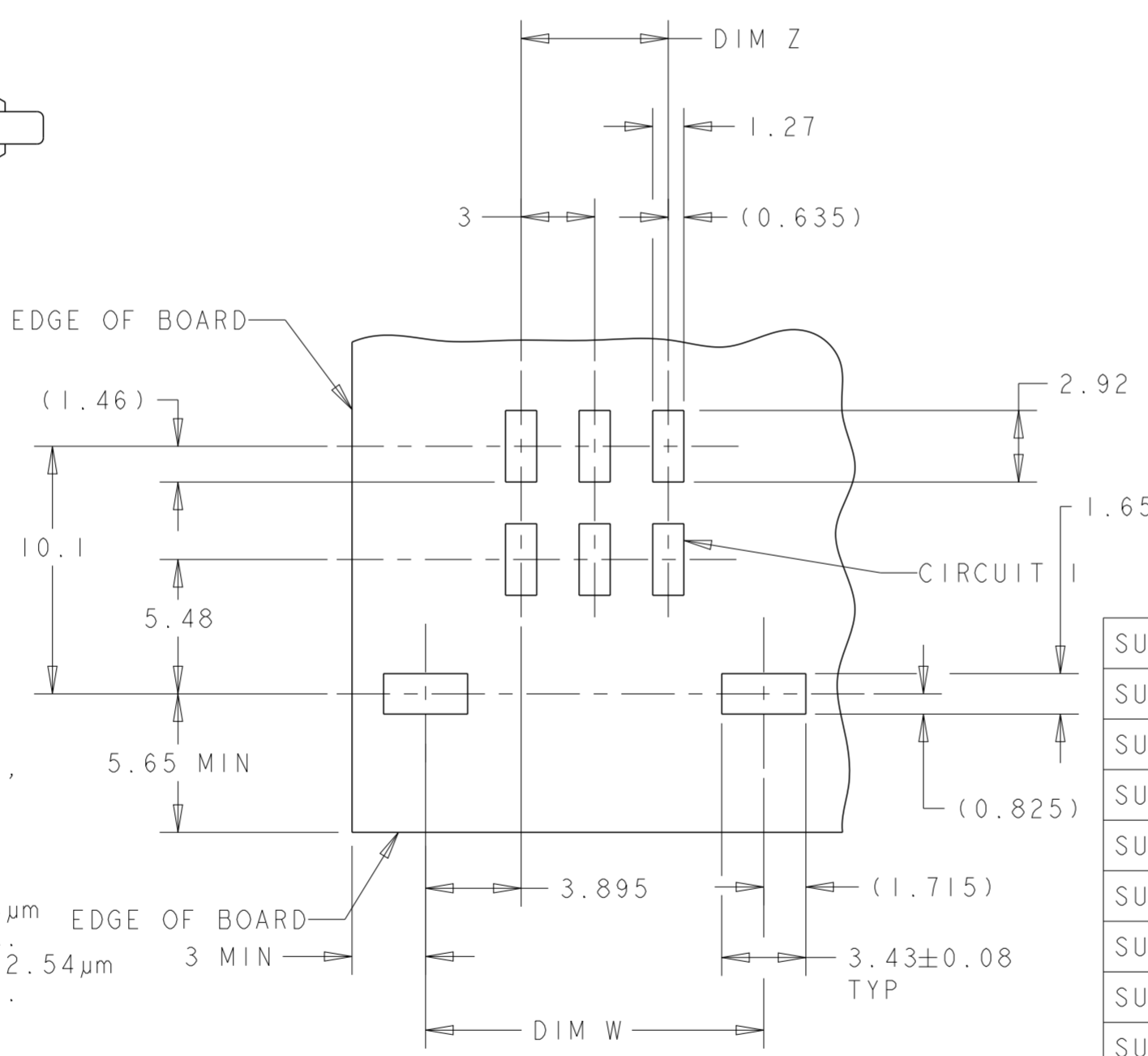
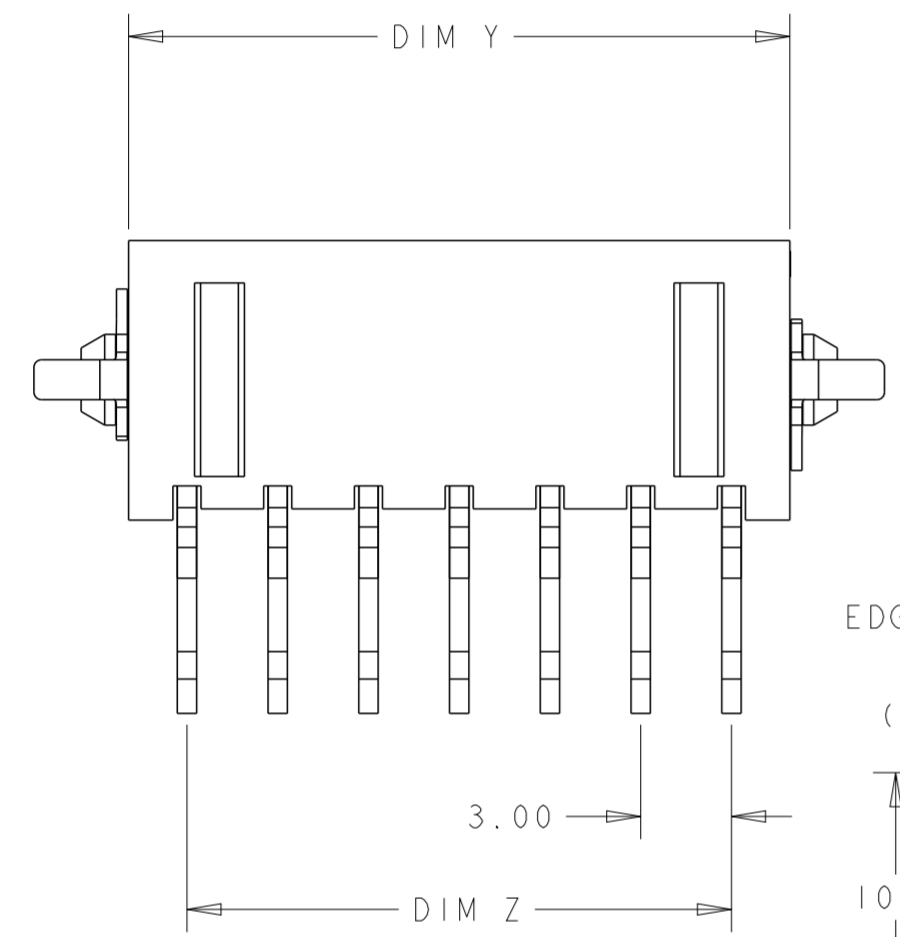


THIS DRAWING IS UNPUBLISHED. RELEASED FOR PUBLICATION 20
 © COPYRIGHT 20 BY - ALL RIGHTS RESERVED.

REVISIONS					
P	LTR	DESCRIPTION	DATE	DWN	APVD
	HI	REVISED PER ECR-16-011494	22JUN2017	NK	CX



SCALE 5:1



RECOMMENDED PCB LAYOUT (COMPONENT SIDE)

FINISH	DIM Y	DIM W	DIM Z	DIM X	NO. OF POSN.	PART NUMBER
△6	36.86	40.79	33.00	40.00	24	5-794628-4
△6	33.86	37.79	30.00	37.00	22	5-794628-2
△6	30.86	34.79	27.00	34.00	20	5-794628-0
△6	27.86	31.79	24.00	31.00	18	4-794628-8
△6	24.86	28.79	21.00	28.00	16	4-794628-6
△6	21.86	25.79	18.00	25.00	14	4-794628-4
△6	18.86	22.79	15.00	22.00	12	4-794628-2
△6	15.86	19.79	12.00	19.00	10	4-794628-0
△6	12.86	16.79	9.00	16.00	8	3-794628-8
△6	9.86	13.79	6.00	13.00	6	3-794628-6
△6	6.86	10.79	3.00	10.00	4	3-794628-4
△6	3.86	7.79	-	7.00	2	3-794628-2
△2	36.86	40.79	33.00	40.00	24	2-794628-4
△2	33.86	37.79	30.00	37.00	22	2-794628-2
△2	30.86	34.79	27.00	34.00	20	2-794628-0
△2	27.86	31.79	24.00	31.00	18	+794628-8
△2	24.86	28.79	21.00	28.00	16	+794628-6
△2	21.86	25.79	18.00	25.00	14	+794628-4
△2	18.86	22.79	15.00	22.00	12	+794628-2
△2	15.86	19.79	12.00	19.00	10	+794628-0
△2	12.86	16.79	9.00	16.00	8	794628-8
△2	9.86	13.79	6.00	13.00	6	794628-6
△2	6.86	10.79	3.00	10.00	4	794628-4
△2	3.86	7.79	-	7.00	2	794628-2

- 1 MATERIAL;
CONTACTS - BRASS.
HOUSING - UL 94V-0 RATED HIGH TEMP NYLON,
COLOR; BLACK.
HOLDDOWNS - PHOSPHOR BRONZE.
- 2 PLATING;
CONTACTS - 0.38µm MINIMUM GOLD OVER 2.54µm
MINIMUM NICKEL ON MATING AREA.
2.54µm TIN-LEAD MINIMUM OVER 2.54µm
NICKEL MINIMUM ON SOLDER TAIL.
HOLDDOWNS - 2.54µm TIN-LEAD.
- 3 DIMENSION APPLIES TO SOLDER TAIL SURFACES
AND STANDOFF SURFACES.
- 4 RECOMMENDED PC BOARD THICKNESS OF 1.57.
- 5 ALL SOLDER TAILS AND HOLDDOWNS.
- 6 PLATING;
CONTACTS - 0.38µm MINIMUM GOLD OVER 2.54µm
MINIMUM NICKEL ON MATING AREA.
2.54µm MATTE TIN MINIMUM OVER 2.54µm
NICKEL MINIMUM ON SOLDER TAIL.
HOLDDOWNS - 2.54µm MATTE TIN.

SUPERSEDED BY 5-794628-4	△2	36.86	40.79	33.00	40.00	24	2-794628-4
SUPERSEDED BY 5-794628-2	△2	33.86	37.79	30.00	37.00	22	2-794628-2
SUPERSEDED BY 5-794628-0	△2	30.86	34.79	27.00	34.00	20	2-794628-0
SUPERSEDED BY 4-794628-8	△2	27.86	31.79	24.00	31.00	18	+794628-8
SUPERSEDED BY 4-794628-6	△2	24.86	28.79	21.00	28.00	16	+794628-6
SUPERSEDED BY 4-794628-4	△2	21.86	25.79	18.00	25.00	14	+794628-4
SUPERSEDED BY 4-794628-2	△2	18.86	22.79	15.00	22.00	12	+794628-2
SUPERSEDED BY 4-794628-0	△2	15.86	19.79	12.00	19.00	10	+794628-0
SUPERSEDED BY 3-794628-8	△2	12.86	16.79	9.00	16.00	8	794628-8
SUPERSEDED BY 3-794628-6	△2	9.86	13.79	6.00	13.00	6	794628-6
SUPERSEDED BY 3-794628-4	△2	6.86	10.79	3.00	10.00	4	794628-4
SUPERSEDED BY 3-794628-2	△2	3.86	7.79	-	7.00	2	794628-2

THIS DRAWING IS A CONTROLLED DOCUMENT.

DIMENSIONS: mm

TOLERANCES UNLESS OTHERWISE SPECIFIED:
 0 PLC ±
 1 PLC ±
 2 PLC ±0.13
 3 PLC ±
 4 PLC ±
 ANGLES ±
 FINISH SEE TABLE

MATERIAL △1

DWN K. WHITAKER 19MAR2003
 CHK C. JONES 19MAR2003
 APVD C. JONES 19MAR2003

PRODUCT SPEC -
 APPLICATION SPEC -
 WEIGHT -

CUSTOMER DRAWING

SCALE 4:1 SHEET 1 OF 1 REV HI

NAME SURFACE MOUNT, RIGHT ANGLE, SURFACE MOUNT HOLDDOWN, ASSEMBLY, 15 GOLD HEADER, DUAL ROW, MICRO MATE-N-LOK™

SIZE A2 CAGE CODE 0779 DRAWING NO. C-794628

RESTRICTED TO -