

4

3

2

1

THIS DRAWING IS UNPUBLISHED.

RELEASED FOR PUBLICATION

20

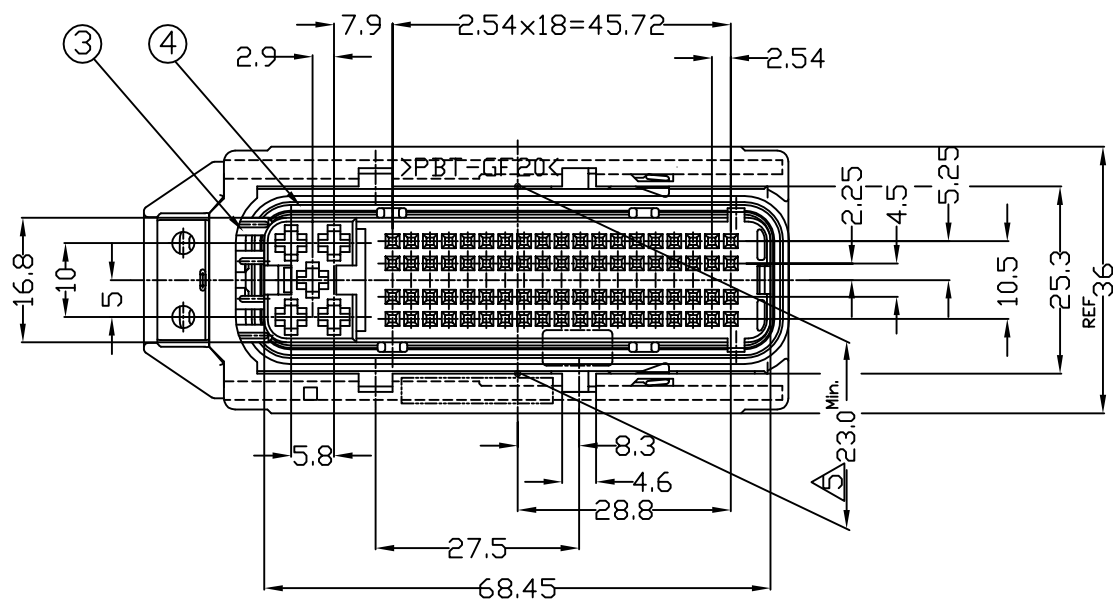
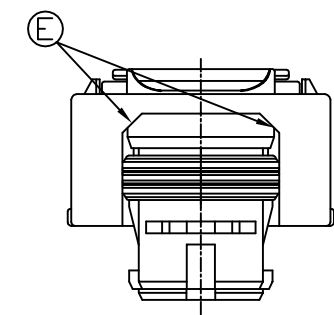
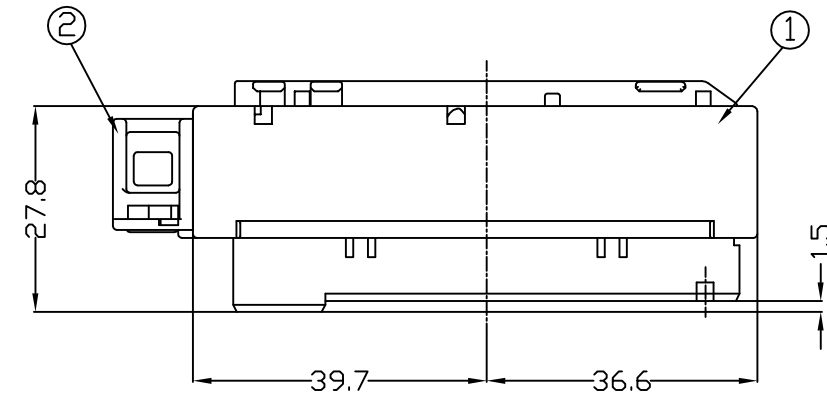
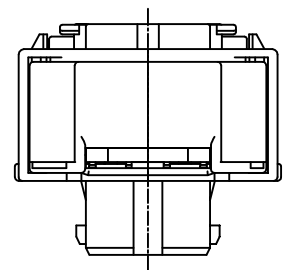
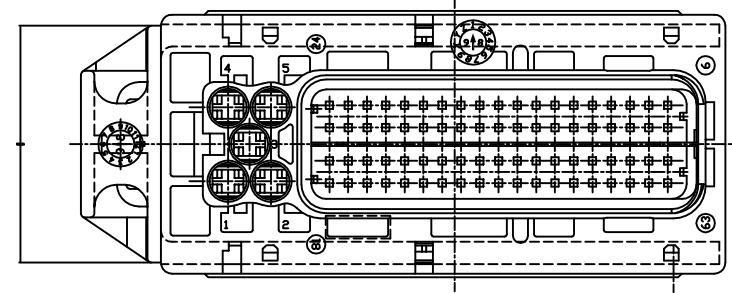
© COPYRIGHT 20 BY -

ALL RIGHTS RESERVED.

LOC DS DIST -

REVISIONS

P	LTR	DESCRIPTION	DATE	DWN	APVD
	E	REVISED (ECR-13-005390)	27/MAR/'13	SJ	HG
	F	REVISED (ECR-13-013203)	28/AUG/'13	SJ	HG



NOTE

1. APPLICABLE REC CONTACT P/N;

PART NO.	DESCRIPTION	WIRE SIZE (mm ²)
927768-3	JUNIOR POWER TIMER REC TML	1.0 - 2.5
927771-3	JUNIOR POWER TIMER REC TML	0.5 - 1.0
928999-1	MICRO QUADLOK SYSTEM REC TML (SOCKET CONTACT)	0.2 - 0.5
963715-1	MICRO QUADLOK SYSTEM REC TML (SOCKET CONTACT)	0.75

- MGS CONTACT (AVX-F: 0.5mm² / AVSS-X: 0.75mm²)

2. APPLICABLE COVER HSG P/N; 368291-1

3. APPLICABLE RETAINER HSG (MGS) P/N: 368297-1, 2137760-1

4. APPLICABLE HEADER ASSY P/N; 368255-1

WARPAGE IS PERMITTED.

SEE TABLE - 1 FOR TOOL No. AND LOGO MARK

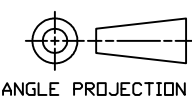
368290-1	AMP
9-368290-1	AMP
PART No.	LOGO

TABLE - 1

NO	COLOR	MATERIAL	DESCRIPTION	Q' TY
4	ORANGE	SILICON	INNER SEAL FOR 81Pos.	1 1
3	YELLOW	PBT+GF15	RETAINER HOUSING FOR 5Pos.	1 1
2	BLACK	PA66+GF30	SLIDE LEVER HOUSING FOR 81Pos.	1 1
1	BLACK	PBT+GF20	JPT&MGS FOR 81P HSG	1 1

THIS DRAWING IS A CONTROLLED DOCUMENT.

DIMENSIONS: MM



MATERIAL SEE TABLE

TOLERANCES UNLESS OTHERWISE SPECIFIED:
0 <XX<10 ± 0.2
10<XX<30 ± 0.25
30<XX ± 0.3
ANGLES ± 3°

FINISH SEE TABLE

DWN SJ CHOI
CHK JW JUNG
APVD HG CHO
PRODUCT SPEC -
APPLICATION SPEC -
WEIGHT -
CUSTOMER DRAWING



TE Connectivity

NAME ASS'Y CONNECTOR FOR JPT&MGS 81Pos.

SIZE A3 CAGE CODE 00779 DRAWING NO C-368290 RESTRICTED TO -
SCALE 1:1 SHEET 1 OF 1 REV F

D

D

C

C

B

B

A

A

Mouser Electronics

Authorized Distributor

Click to View Pricing, Inventory, Delivery & Lifecycle Information:

[TE Connectivity:](#)

[368290-1](#)