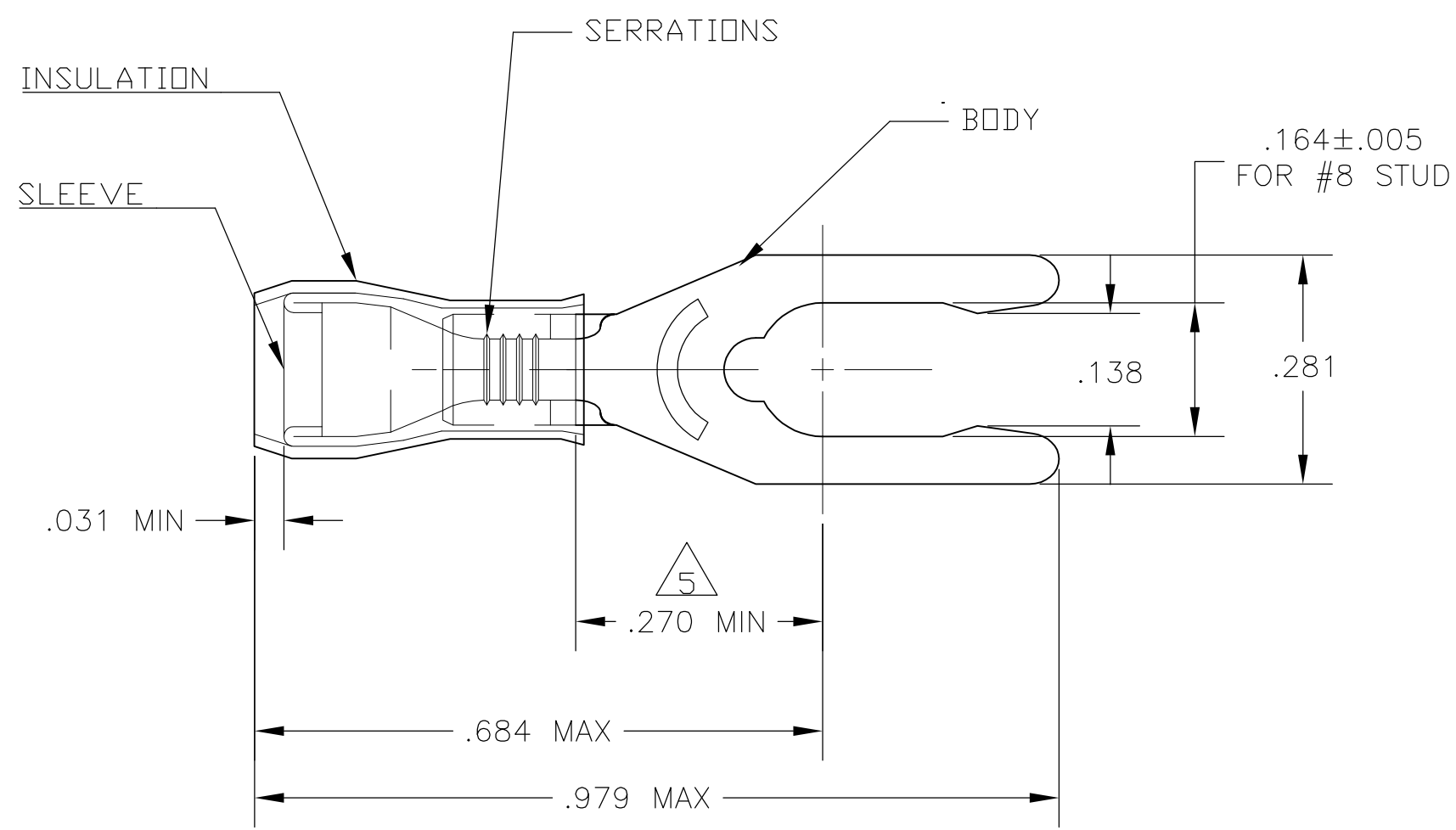


THIS DRAWING IS UNPUBLISHED. RELEASED FOR PUBLICATION
 © COPYRIGHT - By - ALL RIGHTS RESERVED.

LOC	DIST	REVISIONS					
		P	LTR	DESCRIPTION	DATE	DWN	APVD
G	14		K2	REVISED PER ECO-11-004820	11MAR11	RK	HMR

AMP WIRE RANGE	Listed FILE E13288	LR7189 Certified
22-16 AWG SOLID OR STRANDED	22-16 AWG SOLID OR STRANDED	22-16 AWG SOLID OR STRANDED



- 1 STAMP AMP 22-18* APPROX AS SHOWN
22-16 TERMINALS ARE STAMPED 22-18 IN
ACCORDANCE WITH MILITARY SPEC MIL-T-7928
COMMERCIAL WIRE RANGE IS 22-16
- 2 WIRE INSULATION DIA: .080-.125
- 3 TONGUE MATERIAL THK: .031±.002
- 4 MATERIAL: BODY - PHOS BRONZE PER ASTM B103
TIN PLATE PER ASTM B545
SLEEVE - CU PER ASTM B152
TIN PLATE PER ASTM B545
INSULATION - NYLON, COLOR - SEE TABLE
- 5 APPLIES FROM THE METAL EDGE OF BARREL TO
CENTERLINE OF STUD.

RED	100	LOOSE PIECE, BOX	8-52410-1
NATURAL	1000	LOOSE PIECE	1-52410-0
RED	5000	52410 ON TAPE, REEL	52410-1
RED	1000	LOOSE PIECE	52410
INSULATION COLOR	QTY	PACKAGING TYPE	PART NO.

CUSTOMER SERVICE SYSTEMS	
FOR ADDITIONAL PRODUCT INFORMATION OR COPIES OF DRAWINGS AND TECHNICAL DOCUMENTS	PRODUCT INFORMATION CENTER 1-800-522-6752
FOR APPLICATION TOOLING INFORMATION	TOOLING ASSISTANCE CENTER 1-800-722-1111
FOR ORDER ENTRY	1-800-526-5142

MAX RECOMMENDED OPERATING TEMPERATURE: 105°C [221°F]
VOLTAGE RATING: 300 V MAX
CIRCULAR MIL AREA: 0.26-1.65mm² [509-3260] SOLID OR STRANDED

THIS DRAWING IS A CONTROLLED DOCUMENT.	
DIMENSIONS: INCHES	TOLERANCES UNLESS OTHERWISE SPECIFIED:
	0 PLC ± - 1 PLC ± - 2 PLC ± .008 3 PLC ± - 4 PLC ± - ANGLES ± -
MATERIAL	FINISH
-4	-4

DWN JR RUTH 10DEC09	TE Connectivity		
CHK TOM MICHIELUTTI 10DEC09	NAME TERMINAL, SPRING SPADE PIDG, WIRE SIZE 22-16		
APVD TOM MICHIELUTTI 10DEC09	PRODUCT SPEC 108-1034	APPLICATION SPEC NOT AVAILABLE	RESTRICTED TO -
SIZE A3	CAGE CODE 00779	DRAWING NO C-52410	SCALE 4:1
WEIGHT -	SHEET 1 OF 1		REV K2
CUSTOMER DRAWING			

Mouser Electronics

Authorized Distributor

Click to View Pricing, Inventory, Delivery & Lifecycle Information:

[TE Connectivity:](#)

[1-52410-0](#)