



Mallory Sonalert Products, Inc.

Part #:

SNP428R

Sales Outline Drawing

Revision:

B

Specifications:

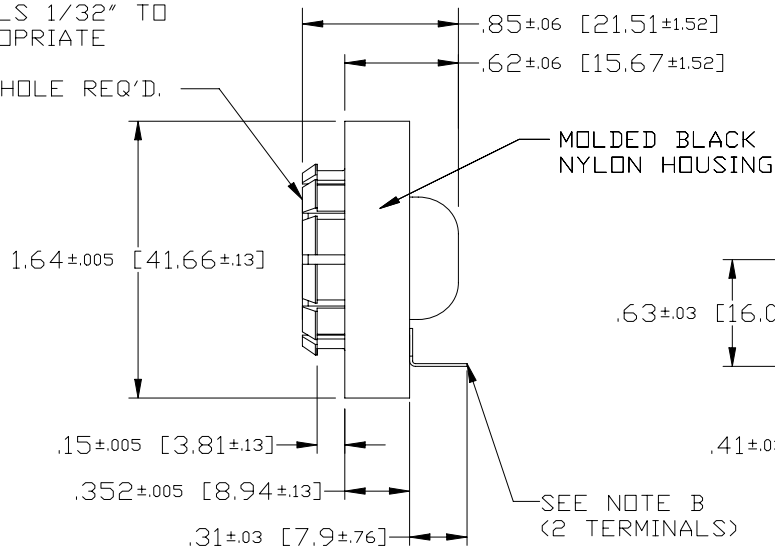
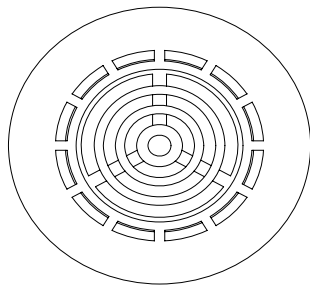
Sound Level Category	Medium
Mode of Operation	Continuous
Voltage Rating	4 to 28 VDC
Frequency	2900 ± 500 Hz
Loudness @ 2 FT	69 to 83 Typ.
Current Draw	3-18 mA
Housing Material	6/6 Nylon, Color: Black
Storage Temperature	-40° to +85° C
Operating Temperature	-30° to +65° C
Panel Mounting	Recommended hole size is 1.25"(31.75mm). Thread front will fit standard 30mm(1.181") hole.
Weight (Typical)	0.5 oz (17g)
Options	Please contact factory.

Dimensions: Inches (mm)

cUL Recognized

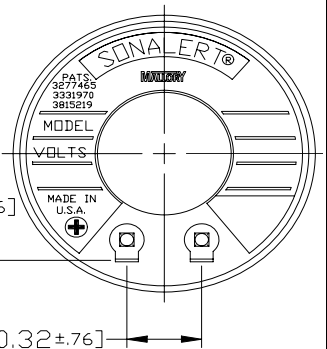
ROHS Compliant

NOTE A:
MOUNTING - THIS PORTION
SNAP-LOCKS INTO PANELS 1/32" TO
1/8" THICK USING APPROPRIATE
COMPRESSION WASHER.
1.063 ±.005 DIA. PANEL HOLE REQ'D.



MOLDED BLACK NYLON HOUSING

SEE NOTE B (2 TERMINALS)



NOTE B:
TERMINALS - .016 BRASS, HOT TIN FINISH WITH
.076 WIRE HOLE. TERMINAL WILL ACCEPT
STANDARD 1/8" QUICK CONNECT

Mouser Electronics

Authorized Distributor

Click to View Pricing, Inventory, Delivery & Lifecycle Information:

[Mallory Sonalert:](#)

[SNP428R](#)