

THIS DRAWING IS UNPUBLISHED.

RELEASED FOR PUBLICATION

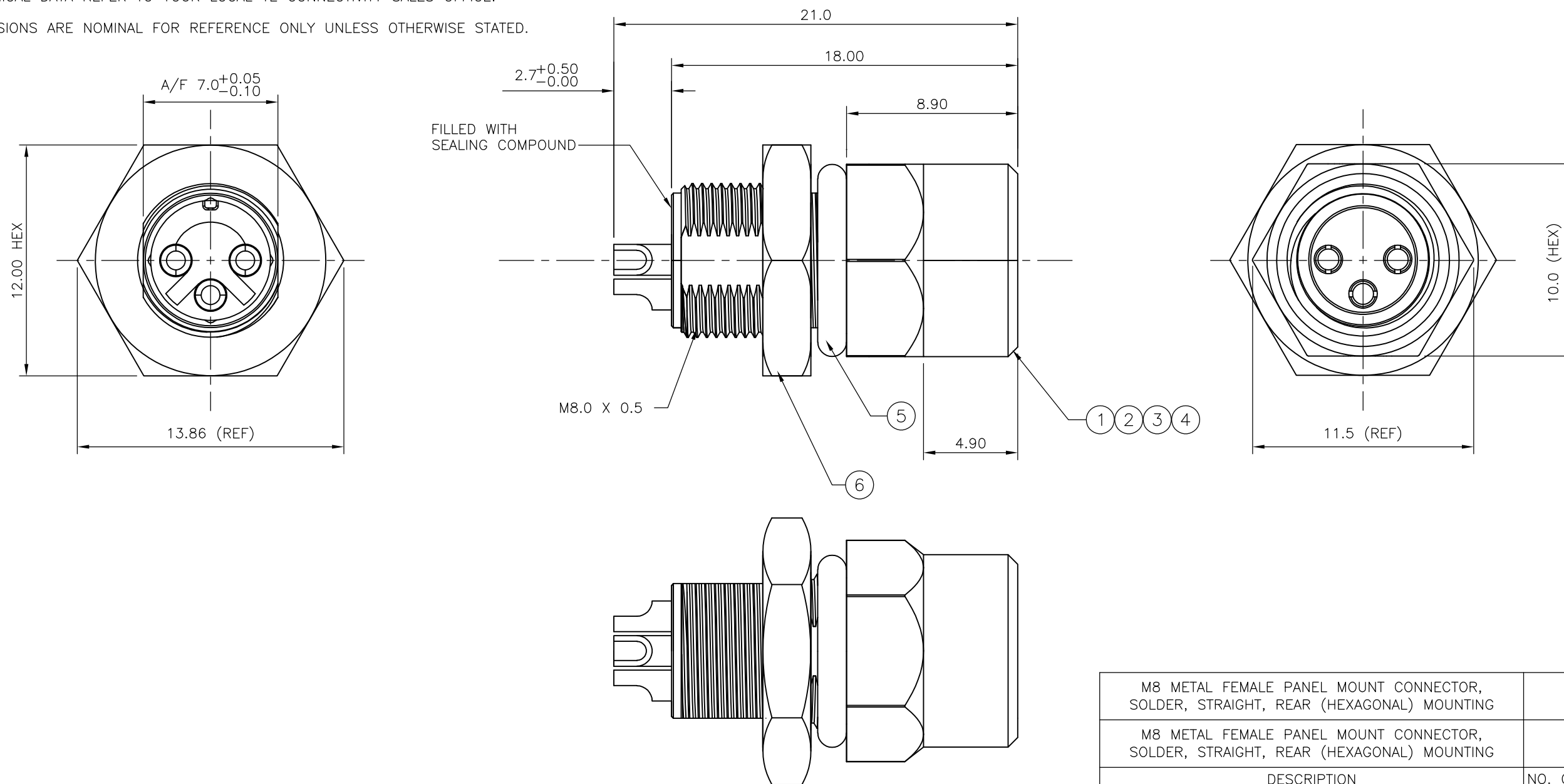
ALL RIGHTS RESERVED.

LOC	DIST	REVISIONS					
E	B	P	LTR	DESCRIPTION	DATE	DWN	APVD
		D1		REVISED PER ECO-11-005150	21MAR11	RK	HMR

NOTES:

- ELECTRICAL DATA: CONTACT RESISTANCE: 10 mOhm MAX
INSULATION RESISTANCE: 100 MOhm MIN at 500VDC
CURRENT RATING: 5 AMPS (FOR 3, 4 AND 5 POSITIONS) AND 2 AMPS (FOR 8 POSITION ONLY)
BREAKDOWN VOLTAGE: 500 VAC MIN PER MINUTE
- ENVIRONMENTAL: OPERATING TEMPERATURE: -25°C TO +90°C
SEALING REQUIREMENTS: IP67
- PROD SPEC: 108-3641
- PACKAGING: 107-3334
- FOR TECHNICAL DATA REFER TO YOUR LOCAL TE CONNECTIVITY SALES OFFICE.
- ALL DIMENSIONS ARE NOMINAL FOR REFERENCE ONLY UNLESS OTHERWISE STATED.

ITEM	DESCRIPTION	MATERIAL	FINISH/COLOUR	QUANTITY / ITEM	
				-1	-2
1	CONNECTOR HOUSING	GF NYLON	BLACK	1	1
2	SOCKET CONTACT	BRASS	0.15µm GOLD OVER NICKEL	3	4
3	CONNECTOR BODY	ZINC DIE CAST	2.5µm NICKEL PLATED	1	1
4	'O' RING	VITON	GREEN	1	1
5	'O' RING	EPDM	BLACK	1	1
6	SCREW NUT	BRASS	2.5µm NICKEL PLATED	1	1



M8 METAL FEMALE PANEL MOUNT CONNECTOR, SOLDER, STRAIGHT, REAR (HEXAGONAL) MOUNTING	4	1838839-2
M8 METAL FEMALE PANEL MOUNT CONNECTOR, SOLDER, STRAIGHT, REAR (HEXAGONAL) MOUNTING	3	1838839-1
DESCRIPTION	NO. OF POS	PART NUMBER

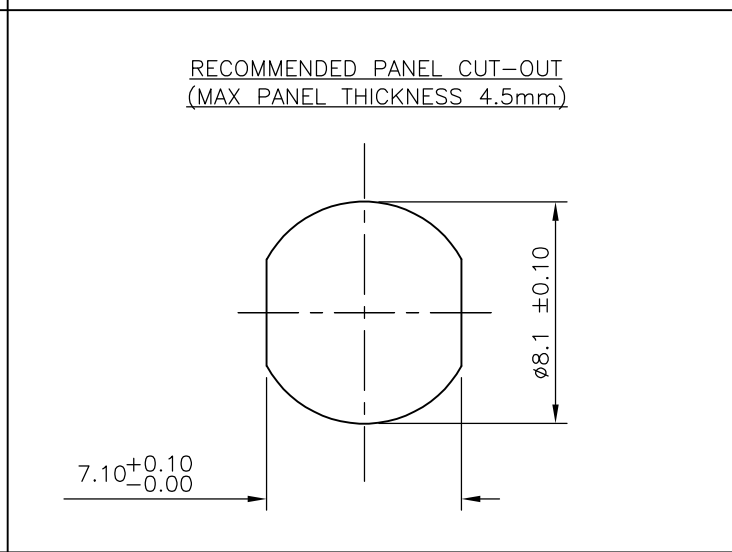
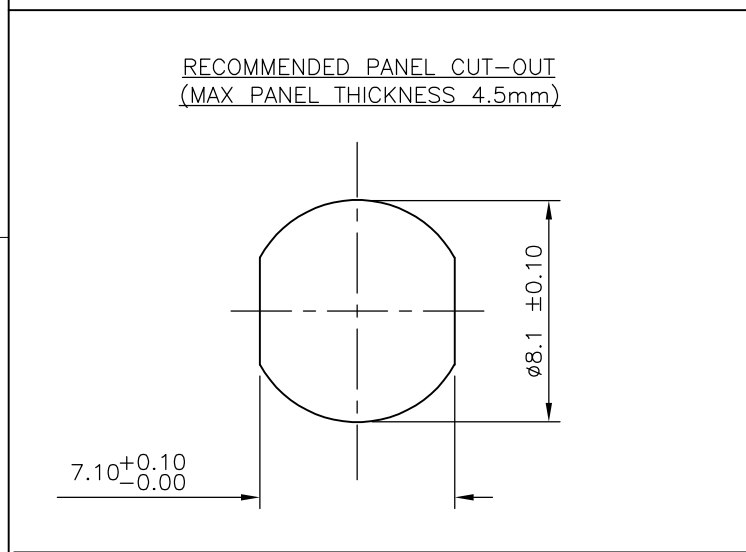
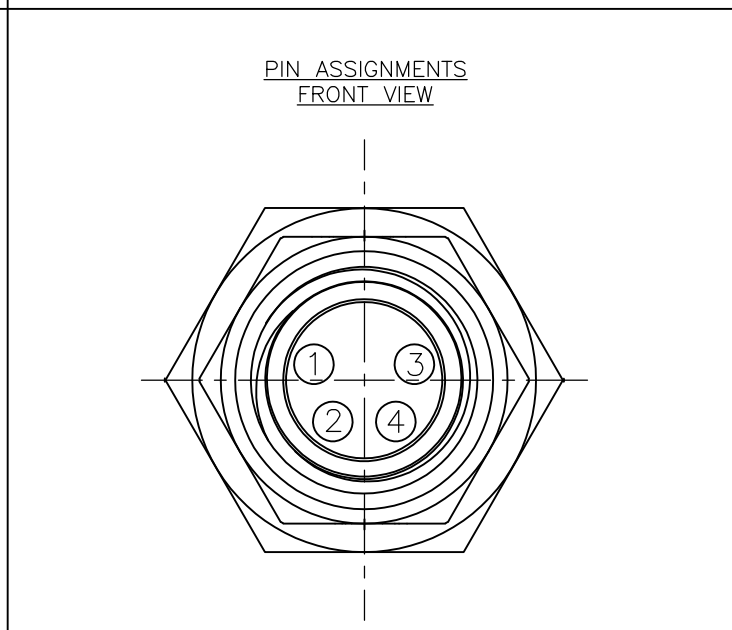
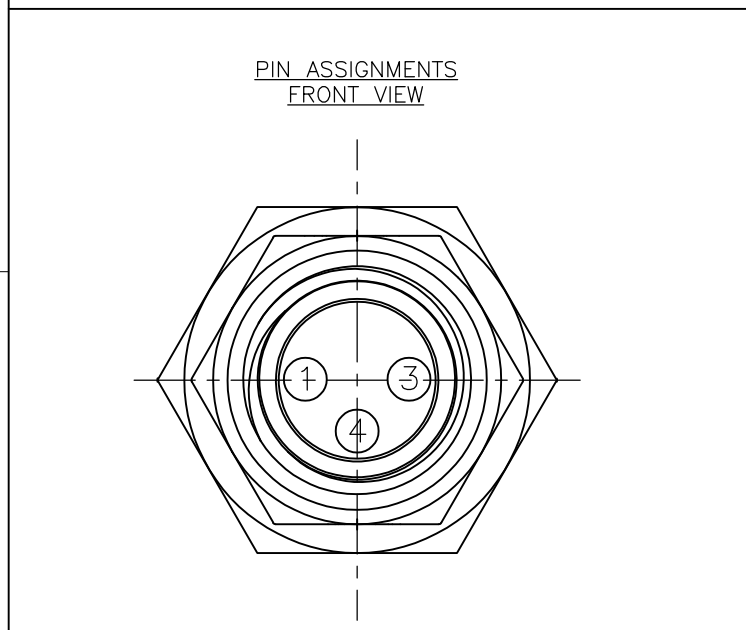
THIS DRAWING IS A CONTROLLED DOCUMENT.		DWN A.Morey 21FEB07	STE TE Connectivity	
DIMENSIONS: mm		CHK F.Wheeler-King 22FEB07		
TOLERANCES UNLESS OTHERWISE SPECIFIED:		APVD F.Wheeler-King 22FEB07	NAME M8 METAL FEMALE PANEL MOUNT CONNECTOR, SOLDER, STRAIGHT, REAR (HEXAGONAL) MOUNTING	
0 PLC ± -		PRODUCT SPEC	SIZE	
1 PLC ± -		APPLICATION SPEC	CAGE CODE	DRAWING NO
2 PLC ± -		WEIGHT	RESTRICTED TO	
3 PLC ± -			A3 00779 C-1838839	
4 PLC ± -			SCALE	SHEET
ANGLES ± -			NTS	1 OF 2
FINISH			REV	D1
MATERIAL		CUSTOMER DRAWING		


THIS DRAWING IS UNPUBLISHED. RELEASED FOR PUBLICATION
 © COPYRIGHT - By - ALL RIGHTS RESERVED.

LOC	DIST	REVISIONS			
P	LTR	DESCRIPTION	DATE	DWN	APVD
-	-	SEE SHEET 1	-	-	-

1838839-1

1838839-2



THIS DRAWING IS A CONTROLLED DOCUMENT.		DWN A.Morey 21FEB07	 TE Connectivity			
DIMENSIONS: mm		CHK F.Wheeler-King 22FEB07				
TOLERANCES UNLESS OTHERWISE SPECIFIED:		APVD F.Wheeler-King 22FEB07	NAME M8 METAL FEMALE PANEL MOUNT CONNECTOR, SOLDER, STRAIGHT, REAR (HEXAGONAL) MOUNTING			
0 PLC ± - 1 PLC ± - 2 PLC ± - 3 PLC ± - 4 PLC ± - ANGLES ± -		PRODUCT SPEC -	RESTRICTED TO -			
MATERIAL -		FINISH -	APPLICATION SPEC -	SIZE A3	CAGE CODE 00779	DRAWING NO C-1838839
CUSTOMER DRAWING			WEIGHT -	SCALE NTS	SHEET 2 OF 2	REV D1

Mouser Electronics

Authorized Distributor

Click to View Pricing, Inventory, Delivery & Lifecycle Information:

[TE Connectivity:](#)

[1838839-1](#) [1838839-2](#)