



SY89859U

Precision Low-Power 8:1 MUX with Internal Termination and 1:2 LVPECL Fanout Buffer

General Description

The SY89859U is a low jitter, low-power, high-speed 8:1 multiplexer with a 1:2 differential fanout buffer optimized for precision telecom and enterprise server distribution applications. The SY89859U distributes clock frequencies from DC to >2.5GHz, and data rates to 2.5Gbps guaranteed over temperature and voltage.

The SY89859U differential input includes Micrel's unique, 3-pin input termination architecture that directly interfaces to any differential signal (AC- or DC-coupled) as small as 100mV (200mVpp) without level shifting or termination resistor networks in the signal path. The outputs are 800mV, 100K-compatible LVPECL with extremely fast rise/fall time guaranteed to be less than 180ps.

The SY89859U features a patent-pending isolation design that significantly improves on channel-to-channel crosstalk-induced jitter performance.

The SY89859U operates from a 2.5V $\pm 5\%$ or 3.3V $\pm 10\%$ supply and is guaranteed over the full industrial temperature range of -40°C to $+85^{\circ}\text{C}$. The SY89859U is part of Micrel's high-speed, Precision Edge[®] product line.

All support documentation can be found on Micrel's web site at: www.micrel.com.



Precision Edge[®]

Features

- Selects between 1 of 8 inputs, and provides 2 precision, low skew 100K-compatible LVPECL output copies
- Low power: 150mW typ. (2.5V)
- Guaranteed AC performance over temperature and voltage:
 - DC to >2.5Gbps
 - DC to >2.5GHz
 - <690ps propagation delay
 - <180ps t_r/t_f time
 - <20ps skew (output-to-output)
- Unique, patent-pending channel-to-channel isolation design provides superior crosstalk performance
- Ultra-low jitter design:
 - <1ps_{RMS} random jitter
 - <10ps_{PP} deterministic jitter
 - <10ps_{PP} total jitter (clock)
 - <1ps_{RMS} cycle-to-cycle jitter
 - <0.7ps_{RMS} crosstalk-induced jitter
- Unique, patented input termination and VT pin accepts DC- and AC-coupled inputs (CML, PECL, LVDS)
- Power supply 2.5V $\pm 5\%$ or 3.3V $\pm 10\%$
- -40°C to $+85^{\circ}\text{C}$ industrial temperature range
- Available in 44-pin (7mm x 7mm) QFN package

Applications

- Data communication systems
- All SONET/SDH data/clock applications
- All Fibre Channel applications
- All Gigabit Ethernet applications

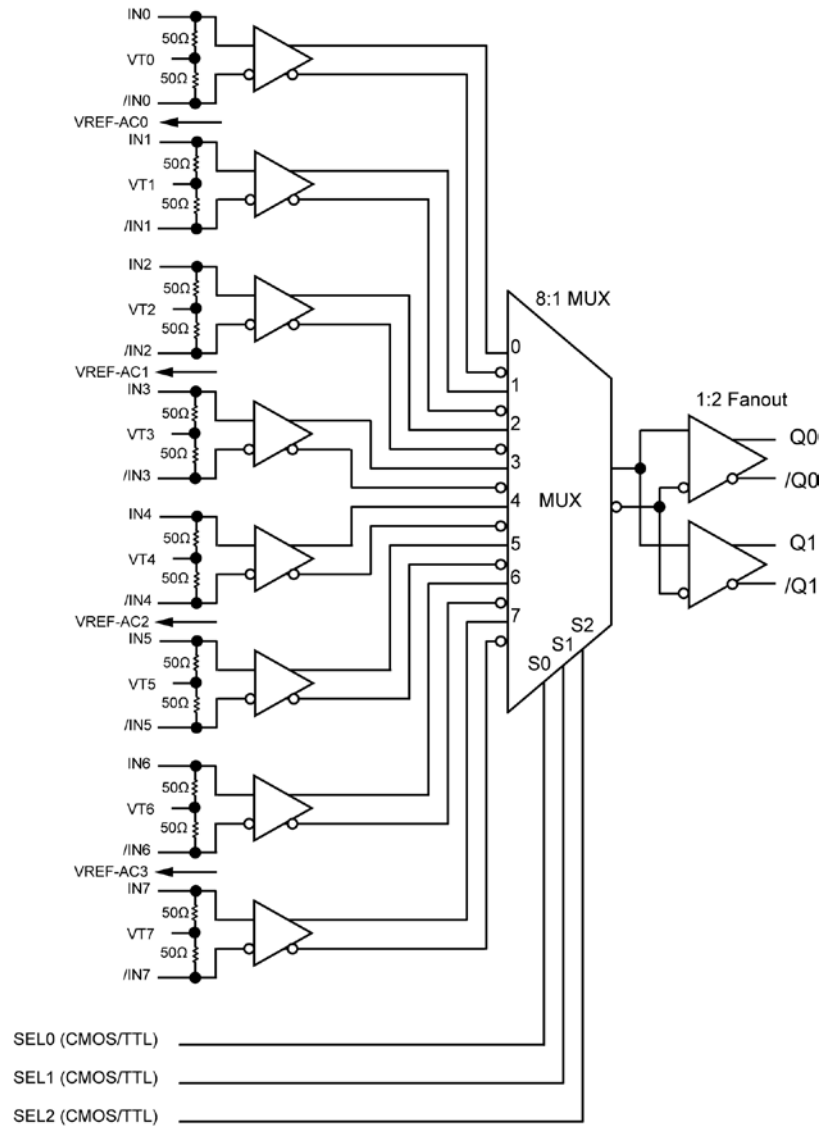
Precision Edge is a registered trademark of Micrel, Inc.

Micrel Inc. • 2180 Fortune Drive • San Jose, CA 95131 • USA • tel +1 (408) 944-0800 • fax + 1 (408) 474-1000 • <http://www.micrel.com>

December 2007

M9999-120607-D
hbwhelp@micrel.com or (408) 955-1690

Functional Block Diagram



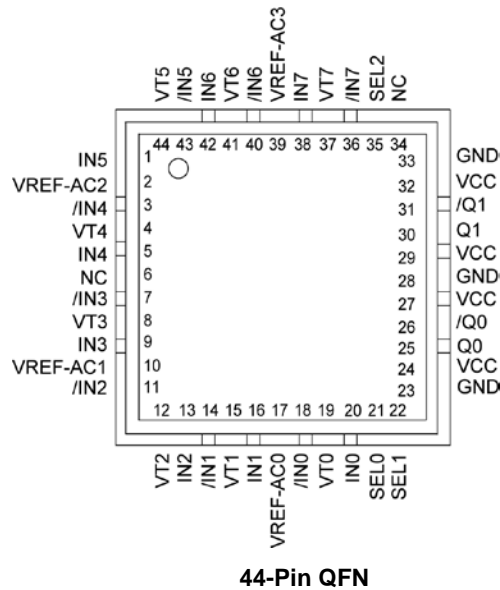
Ordering Information⁽¹⁾

Part Number	Package Type	Operating Range	Package Marking	Lead Finish
SY89859UMY	QFN-44	Industrial	SY89859U with Pb-Free bar-line indicator	Matte-Sn Pb-Free
SY89859UMYTR ⁽²⁾	QFN-44	Industrial	SY89859U with Pb-Free bar-line indicator	Matte-Sn Pb-Free

Notes:

1. Contact factory for die availability. Dice are guaranteed at T_A = 25°C, DC Electricals only.
2. Tape and Reel.

Pin Configuration



Truth Table

SEL2	SEL1	SEL0	Q	/Q
L	L	L	IN0	/IN0
L	L	H	IN1	/IN1
L	H	L	IN2	/IN2
L	H	H	IN3	/IN3
H	L	L	IN4	/IN4
H	L	H	IN5	/IN5
H	H	L	IN6	/IN6
H	H	H	IN7	/IN7

Pin Description

Pin Number	Pin Name	Pin Function
20, 18 16, 14 13, 11 9, 7 5, 3 1, 43 42, 40 38, 36	IN0, /IN0 IN1, /IN1 IN2, /IN2 IN3, /IN3 IN4, /IN4 IN5, /IN5 IN6, /IN6 IN7, /IN7	Differential Inputs: These input pairs are the differential signal inputs to the device. Inputs accept AC- or DC-coupled signals as small as 100mV (200mVpp). Each pin of a pair internally terminates to a VT pin through 50Ω. Note that these inputs will default to an indeterminate state if left open. Please refer to the "Input Interface Applications" section for more details.
19, 15 12, 8 4, 44 41, 37	VT0, VT1 VT2, VT3 VT4, VT5 VT6, VT7	Input Termination Center-Tap: Each side of the differential input pair terminates to a VT pin. The VT pins provide a center-tap to a termination network for maximum interface flexibility. See "Input Interface Applications" section for more details. For a CML or LVDS inputs, the VT pin is left floating.
17 10 2 39	VREF-AC0 VREF-AC1 VREF-AC2 VREF-AC3	Reference Voltage: These outputs bias to $V_{CC}-1.2V$. They are used when AC coupling the inputs (IN, /IN). For AC-coupled applications, connect VREF-AC to the VT pin and bypass with a 0.01μF low ESR capacitor to VCC. See "Input Interface Applications" section for more details.
21 22 35	SEL0 SEL1 SEL2	The single-ended TTL/CMOS-compatible inputs select the inputs to the multiplexer. Note that this input is internally connected to a 25kΩ pull-up resistor and will default to a logic HIGH state if left open. The threshold voltage is $V_{TH} = V_{CC}/2$.
24, 27, 29, 32	VCC	Positive Power Supply. Bypass with 0.1μF 0.01μF low ESR capacitors and place as close to each VCC pin as possible.
25, 26 30, 31	Q0, /Q0 Q1, /Q1	Differential Outputs: These 100K-compatible LVPECL output pairs are the outputs of the device. Unused output pairs may be left open. Each output is designed to drive 800mV into 50Ω terminated to $V_{CC}-2V$.
23, 28, 33	GND Exposed Pad	Ground. GND and exposed pad must both be connected to the same ground plane.

Absolute Maximum Ratings⁽¹⁾

Supply Voltage (V_{CC}) -0.5V to +4.0V
 Input Voltage
 SEL0, SEL1, SEL2 -0.5V to V_{CC}
 IN0, /IN0, IN1, /IN1, ... /IN7, /IN7 -0.5V to V_{CC}
 LVPECL Output Current (I_{OUT})
 Continuous ± 50 mA
 Surge ± 100 mA
 Termination Current
 Source or sink current
 VT0, VT1, VT2, ... VT7 ± 100 mA
 Input Current
 Source or sink current
 IN0, /IN0, IN1, /IN1, ... IN7, /IN7 ± 50 mA
 VREF Output Current
 VREF-AC0, VREF-AC1..., VREF-AC3 ± 2 mA
 Lead Temperature (soldering, 20 sec.) +260°C
 Storage Temperature (T_s) -65°C to 150°C

Operating Ratings⁽²⁾

Supply Voltage (V_{CC}) +2.375V to +2.625V
 +3.0V to +3.6V
 Ambient Temperature (T_A) -40°C to +85°C
 Package Thermal Resistance⁽³⁾
 QFN (θ_{JA})
 Still-Air 24°C/W
 QFN (Ψ_{JB})
 Junction-to-Board 12°C/W

DC Electrical Characteristics⁽⁴⁾

$T_A = -40^\circ\text{C}$ to $+85^\circ\text{C}$, unless otherwise stated.

Symbol	Parameter	Condition	Min	Typ	Max	Units
V_{CC}	Power Supply		2.375	2.5	2.625	V
			3.0	3.3	3.6	V
I_{CC}	Power Supply Current	No load, max. V_{CC}		60	85	mA
R_{IN}	Input Resistance (IN-to- V_T)		45	50	55	Ω
R_{DIFF_IN}	Differential Input Resistance (IN-to-/IN)		90	100	110	Ω
V_{IH}	Input High Voltage (IN, /IN)	Note 5	$V_{CC}-1.6$		V_{CC}	V
V_{IL}	Input Low Voltage (IN, /IN)		0		$V_{IH}-0.1$	V
V_{IN}	Input Voltage Swing (IN, /IN)	See Figure 1a.	0.1		1.7	V
V_{DIFF_IN}	Differential Input Voltage Swing IN-to-/IN	See Figure 1b.	0.2			V
V_{T_IN}	IN-to- V_T (IN, /IN)				1.28	V
V_{REF_AC}	Output Reference Voltage		$V_{CC}-1.3$	$V_{CC}-1.2$	$V_{CC}-1.1$	V

Notes:

1. Permanent device damage may occur if absolute maximum ratings are exceeded. This is a stress rating only and functional operation is not implied at conditions other than those detailed in the operational sections of this data sheet. Exposure to absolute maximum ratings conditions for extended periods may affect device reliability.
2. The data sheet limits are not guaranteed if the device is operated beyond the operating ratings.
3. Package thermal resistance assumes exposed pad is soldered (or equivalent) to the devices most negative potential on the PCB. θ_{JA} and Ψ_{JB} values are determined for a 4-layer board in still-air, unless otherwise stated.
4. The circuit is designed to meet the DC specifications shown in the above table after thermal equilibrium has been established.
5. V_{IH} (min) not lower than 1.2V.

100K LVPECL Output DC Electrical Characteristics⁽⁶⁾

$V_{CC} = +2.5V \pm 5\%$ or $3.3V \pm 10\%$, $R_L = 50\Omega$ to $V_{CC}-2V$; $T_A = -40^\circ C$ to $+85^\circ C$, unless otherwise stated.

Symbol	Parameter	Condition	Min	Typ	Max	Units
V_{OH}	Output HIGH Voltage (Q, /Q)		$V_{CC}-1.145$		$V_{CC}-0.895$	V
V_{OL}	Output LOW Voltage (Q, /Q)		$V_{CC}-1.945$		$V_{CC}-1.695$	V
V_{OUT}	Output Differential Swing	See Figure 1a.	550	800		mV
V_{DIFF_OUT}	Differential Output Voltage Swing	See Figure 1b.	1100	1600		mV

LVTTTL/CMOS DC Electrical Characteristics⁽⁶⁾

$V_{CC} = +2.5V \pm 5\%$ or $3.3V \pm 10\%$; $T_A = -40^\circ C$ to $+85^\circ C$, unless otherwise stated.

Symbol	Parameter	Condition	Min	Typ	Max	Units
V_{IH}	Input HIGH Voltage		2.0			V
V_{IL}	Input LOW Voltage				0.8	V
I_{IH}	Input HIGH Current	$I_{IH} @ V_{IN} = V_{CC}$	-125		40	μA
I_{IL}	Input LOW Current	$I_{IL} @ V_{IN} = 0.5V$	-300			μA

Note:

6. The circuit is designed to meet the DC specifications shown in the above table after thermal equilibrium has been established.

AC Electrical Characteristics⁽⁷⁾

$V_{CC} = +2.5V \pm 5\%$ or $3.3V \pm 10\%$; $V_{IN} \geq 100mV$ (200mVpp); $R_L = 50\Omega$ to $V_{CC}-2V$; $T_A = -40^\circ C$ to $+85^\circ C$, unless otherwise stated.

Symbol	Parameter	Condition	Min	Typ	Max	Units
f_{MAX}	Maximum Operating Frequency		2.5			Gbps
			2.5	3.5		GHz
t_{pd}	Differential Propagation Delay IN-to-Q SEL-to-Q		360	475	640	ps
			200	600	850	ps
t_{pd} Tempco	Differential Propagation Delay Temperature Coefficient	IN-to-Q		300		fs/ $^\circ C$
		SEL-to-Q		400		
t_{SKEW}	Output-to-Output Skew Part-to-Part Skew	Note 8	5		20	ps
		Note 9			200	ps
t_{JITTER}	Data					
	Random Jitter (RJ)	Note 10			1	$\mu SRMS$
	Deterministic Jitter (DJ)	Note 11			10	μSPP
	Clock					
	Cycle-to-Cycle Jitter	Note 12			1	$\mu SRMS$
	Total Jitter (TJ)	Note 13			10	μSPP
	Adjacent Channel Crosstalk-induced Jitter	Note 14			0.7	$\mu SRMS$
t_r, t_f	Output Rise/Fall Time (20% to 80%)	At full output swing.	50	110	180	ps

Notes:

7. High-frequency AC-parameters are guaranteed by design and characterization.
8. Output-to-output skew is measured between two different outputs under identical input transitions.
9. Part-to-part skew is defined for two parts with identical power supply voltages at the same temperature and with no skew of the edges at the respective inputs.
10. Random jitter is measured with a K28.7 character pattern, measured at $<f_{MAX}$.
11. Deterministic jitter is measured at 2.5Gbps with both K28.5 and $2^{23}-1$ PRBS pattern.
12. Cycle-to-cycle jitter definition: the variation of periods between adjacent cycles, $T_n - T_{n-1}$ where T is the time between rising edges of the output signal.
13. Total jitter definition: with an ideal clock input of frequency $<f_{MAX}$, no more than one output edge in 10^{12} output edges will deviate by more than the specified peak-to-peak jitter value.
14. Crosstalk-induced jitter is defined as the added jitter that results from signals applied to two adjacent channels. It is measured at the output while applying two similar, differential clock frequencies that are asynchronous with respect to each other at the inputs.

Single-Ended and Differential Swings

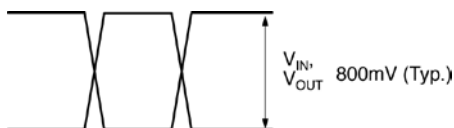


Figure 1a. Single-Ended Voltage Swing

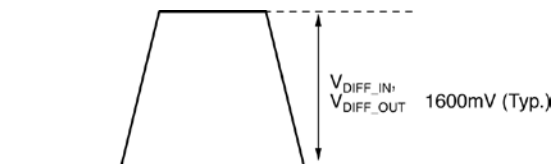
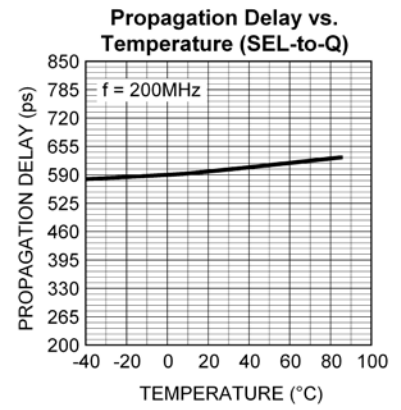
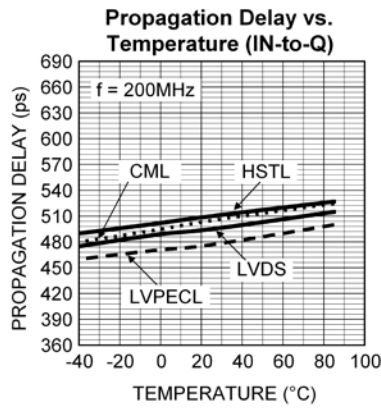
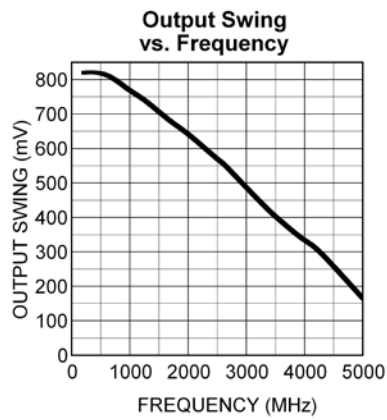


Figure 1b. Differential Voltage Swing

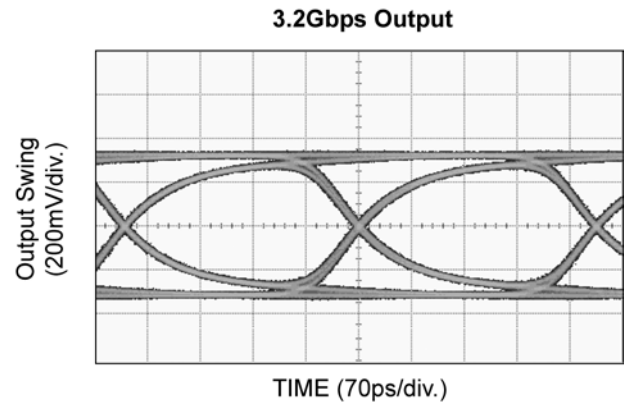
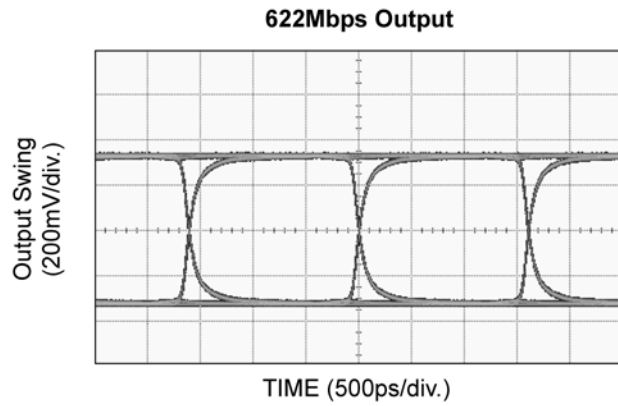
Typical Operating Characteristics

$V_{CC} = 3.3V$, $GND = 0$, $V_{IN} = 100mV$ (200mVpp), $R_L = 50\Omega$ to $V_{CC}-2V$; $T_A = 25^\circ C$, unless otherwise stated.



Functional Characteristics

$V_{CC} = 3.3V$, $GND = 0$, $V_{IN} = 100mV$ (200mVpp), $R_L = 50\Omega$ to $V_{CC}-2V$; $T_A = 25^\circ C$, unless otherwise stated.



Input and Output Stages

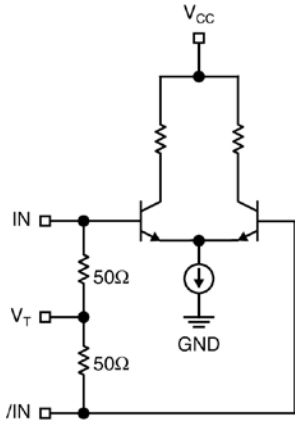


Figure 2a. Simplified Differential Input Stage

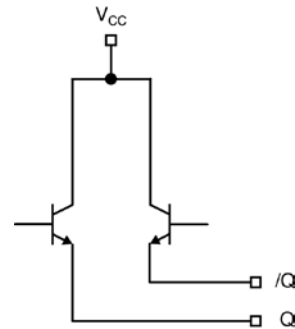


Figure 2b. Simplified LVPECL Output Stage

Input Interface Applications

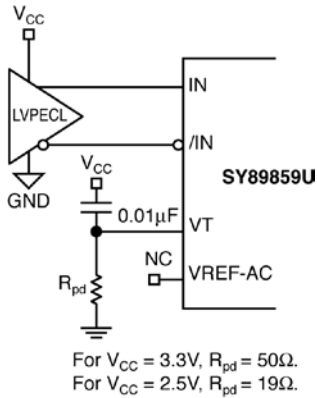


Figure 3a. LVPECL Interface (DC-Coupled)

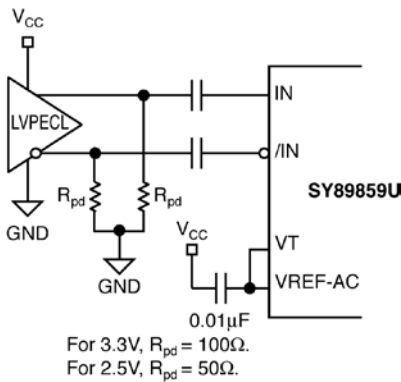
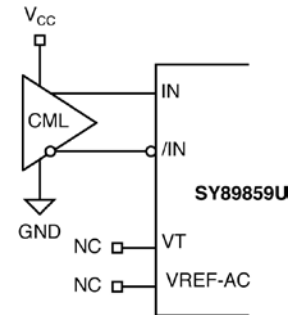


Figure 3b. LVPECL Interface (AC-Coupled)



Option: may connect V_T to V_{CC}

Figure 3c. CML Interface (DC-Coupled)

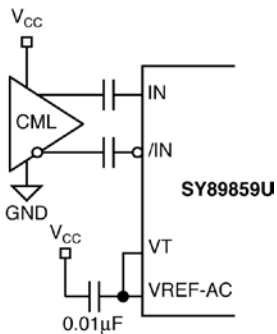


Figure 3d. CML Interface (AC-Coupled)

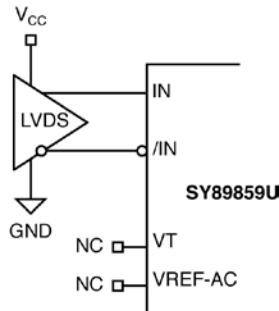


Figure 3e. LVDS Interface

LVPECL Output Interface Applications

LVPECL has high input impedance, very low output (open emitter) impedance, and small signal swing which result in low EMI. LVPECL is ideal for driving 50Ω- and 100Ω-controlled impedance transmission lines. There are several techniques for terminating

the LVPECL output including: Parallel Termination-Thevenin Equivalent, Parallel Termination (3-Resistor), and AC-Coupled Termination. Unused output pairs may be left floating. However, single-ended outputs must be terminated, or balanced.

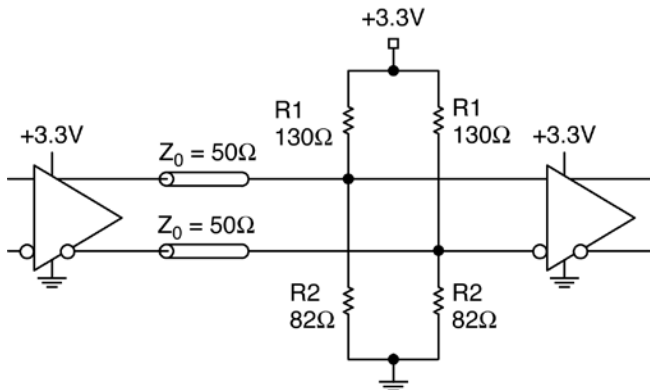


Figure 4a. Parallel Thevenin-Equivalent Termination

Note:

For 2.5V system, R1 = 250Ω, R2 = 62.5Ω.

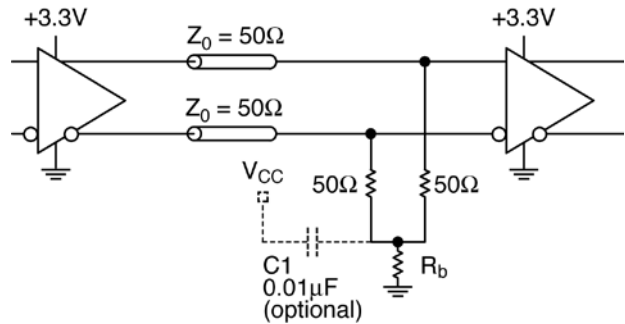


Figure 4b. Parallel Termination (3-Resistor)

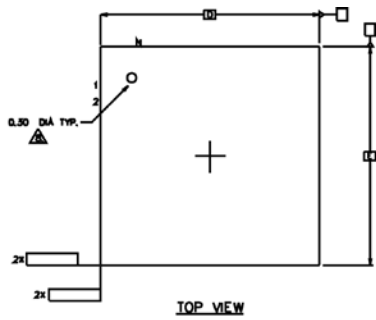
Note:

For 2.5V system, Rb = 19Ω.

Related Product and Support Documentation

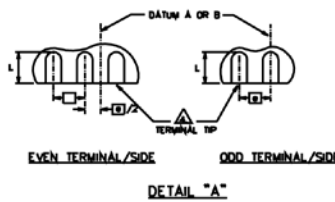
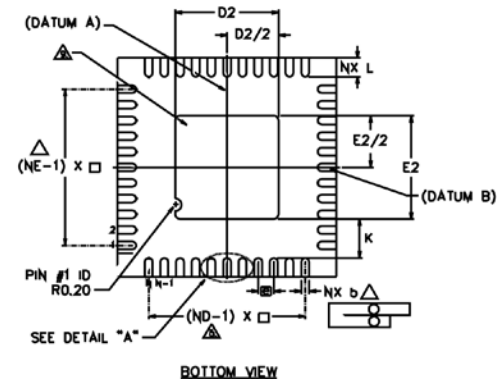
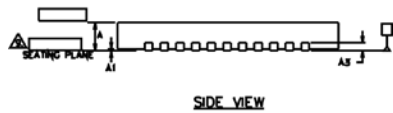
Part Number	Function	Data Sheet Link
SY58037U	Ultra Precision 8:1 MUX with Internal Termination and 1:2 CML Fanout Buffer	http://www.micrel.com/product-info/products/sy58037u.shtml
SY58038U	Ultra Precision 8:1 MUX with Internal Termination and 1:2 LVPECL Fanout Buffer	http://www.micrel.com/product-info/products/sy58038u.shtml
SY58039U	Ultra Precision 8:1 MUX with Internal Termination and 1:2 400mV LVPECL Fanout Buffer	http://www.micrel.com/product-info/products/sy58039u.shtml
HBW Solutions	New Products and Applications	www.micrel.com/product-info/products/solutions.shtml

Package Information



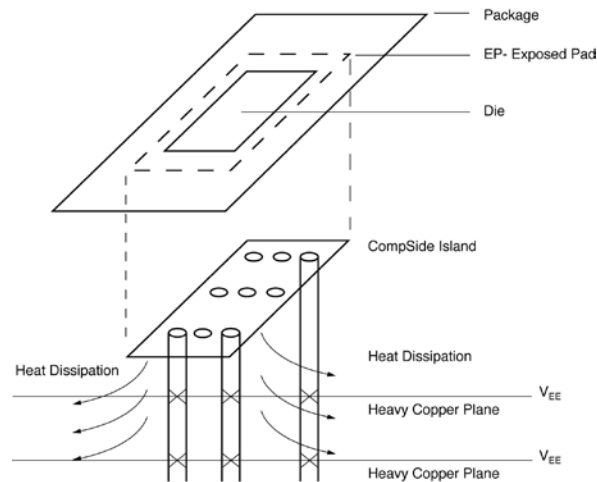
NOTES :

1. DIMENSIONING AND TOLERANCING CONFORM TO ASME Y14.5M. - 1994.
2. ALL DIMENSIONS ARE IN MILLIMETERS, Ø IS IN DEGREES.
3. N IS THE TOTAL NUMBER OF TERMINALS.
- △ DIMENSION b APPLIES TO METALLIZED TERMINAL AND IS MEASURED BETWEEN 0.15 AND 0.30mm FROM TERMINAL TIP. IF THE TERMINAL HAS THE OPTIONAL RADIUS ON THE OTHER END OF THE TERMINAL, THE DIMENSION b SHOULD NOT BE MEASURED IN THAT RADIUS AREA.
- △ ND AND NE REFER TO THE NUMBER OF TERMINALS ON EACH D AND E SIDE RESPECTIVELY.
6. MAX. PACKAGE WARPAGE IS 0,05 mm.
7. MAXIMUM ALLOWABLE BURRS IS 0.076 mm IN ALL DIRECTIONS.
- △ PIN #1 ID ON TOP WILL BE LASER MARKED.
- △ BILATERAL COPLANARITY ZONE APPLIES TO THE EXPOSED HEAT SINK SLUG AS WELL AS THE TERMINALS.
10. THIS DRAWING CONFORMS TO JEDEC REGISTERED OUTLINE MO-220



SYMBOL	DIMENSIONS			UNIT
	MIN.	NOM.	MAX.	
□	0.50 BSC			
N	44			3
ND	11			△
NE	11			
L	0.55	0.60	0.65	
b	0.18	0.25	0.30	△
D2	3.20	3.30	3.40	
E2	3.20	3.30	3.40	
D	7.00 BSC			
E	7.00 BSC			
A	0.80	0.85	1.00	
A1	0.00	0.02	0.05	
K	0.20 MIN.			
θ	0	—	12	2

44-Pin QFN (QFN-44)



PCB Thermal Consideration for 44-Pin QFN™ Package (Always solder, or equivalent, the exposed pad to the PCB)

Package Notes:

1. Package meets Level 2 qualification.
2. All parts are dry-packaged before shipment.
3. Exposed pads must be soldered to a ground for proper thermal management.

MICREL, INC. 2180 FORTUNE DRIVE SAN JOSE, CA 95131 USA
TEL +1 (408) 944-0800 FAX +1 (408) 474-1000 WEB <http://www.micrel.com>

The information furnished by Micrel in this data sheet is believed to be accurate and reliable. However, no responsibility is assumed by Micrel for its use. Micrel reserves the right to change circuitry and specifications at any time without notification to the customer.

Micrel Products are not designed or authorized for use as components in life support appliances, devices or systems where malfunction of a product can reasonably be expected to result in personal injury. Life support devices or systems are devices or systems that (a) are intended for surgical implant into the body or (b) support or sustain life, and whose failure to perform can be reasonably expected to result in a significant injury to the user. A Purchaser's use or sale of Micrel Products for use in life support appliances, devices or systems is a Purchaser's own risk and Purchaser agrees to fully indemnify Micrel for any damages resulting from such use or sale.

© 2005 Micrel, Incorporated.

Mouser Electronics

Authorized Distributor

Click to View Pricing, Inventory, Delivery & Lifecycle Information:

[Microchip:](#)

[SY89859UMY](#) [SY89859UMY-TR](#)