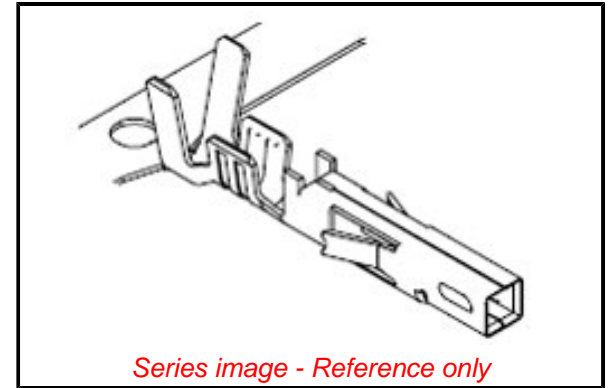


PLEASE CHECK WWW.MOLEX.COM FOR LATEST PART INFORMATION

Part Number: [0460182541](#)
Status: **Active**
Overview: [Mini-Fit Plus Connector System](#)
Description: Mini-Fit Plus High Mating Cycle Female Crimp Terminal, 22-24 AWG, Reel, Select Gold (Au) Plating with Proprietary Molex Advanced Contact Surface Finish (CSF) in Contact Area

Documents:

[Drawing \(PDF\)](#) [Packaging Specification PK-46018-001 \(PDF\)](#)
[Product Specification PS-46018-004 \(PDF\)](#) [RoHS Certificate of Compliance \(PDF\)](#)
[Product Specification TS-46018-001-001 \(PDF\)](#)



General

Product Family	Crimp Terminals
Series	46018
Application	Power, Wire-to-Board, Wire-to-Wire
Comments	Current Rating = 5A Max. Using 22 AWG Wire and 4A Max. Using 24 AWG Wire
Crimp Quality Equipment Overview	Yes
Packaging Alternative	Mini-Fit Plus Connector System
Product Name	46018-2542 (Loose)
UPC	Mini-Fit Plus 822350560450

Physical

Gender	Female
Material - Metal	Copper Alloy
Material - Plating Mating	Gold
Material - Plating Termination	Tin
Net Weight	0.150/g
Packaging Type	Reel
Plating min - Mating	0.051µm
Plating min - Termination	2.540µm
Termination Interface: Style	Crimp or Compression
Wire Insulation Diameter	1.20-1.80mm
Wire Size AWG	22, 24
Wire Size mm ²	N/A

Electrical

Current - Maximum per Contact	13.0A
Voltage - Maximum	600V

Solder Process Data

Lead-freeProcess Capability	N/A
-----------------------------	-----

Material Info

Reference - Drawing Numbers

Packaging Specification	PK-46018-001
Product Specification	PS-46018-004, TS-46018-001-001
Sales Drawing	SD-46018-001-001

EU ELV

Not Relevant

EU RoHS

Compliant

REACH SVHC

Not Contained Per -
ED/61/2018 (27 June
2018)

Halogen-Free

Status

Low-Halogen

For more information, please visit [Contact US](#)

China ROHS

ELV

RoHS Phthalates

China RoHS

Green Image

Not Relevant

Not Contained

Search Parts in this Series

46018 Series

Mates With

Mini-Fit Plus Crimp Terminal [46012](#)

Mini-Fit Plus Header [46011](#) , [46014](#)
 , [46015](#)
Mini-Fit BMI Header [44068](#) ,
[42404](#) , [43810](#)
Mini-Fit Jr. Header [5569](#)

Mini-Fit TPA Header [30070](#)

Use With

Mini-Fit Jr. Receptacles [5557](#)
Mini-Fit TPA Receptacles [30067](#)
Mini-Fit BMI Panel Mount Receptacles [42474](#)
Mini-Fit BMI Panel Mount Slide-N-Lock Receptacles [44516](#)

Mouser Electronics

Authorized Distributor

Click to View Pricing, Inventory, Delivery & Lifecycle Information:

[Molex:](#)

[46018-2541](#) [46018-2541 \(Mouser Reel\)](#) [46018-2541 \(Cut Strip\)](#) [46018-2541 \(Loose Piece\)](#)