



# 60×60×25 mm

San Ace 60W 9WP type

## General Specifications

- Material ..... Frame: Plastic (Flammability: UL 94V-0), Impeller: Plastic (Flammability: UL 94V-1)
- Expected life ..... See the table below. (L10 life: 90% survival rate for continuous operation in indoor free air at 60°C, rated voltage)
- Motor protection function ..... Locked rotor burnout protection, Reverse polarity protection  
For details, please refer to p. 547.
- Dielectric strength ..... 50/60 Hz, 500 VAC, for 1 minute (between lead wire conductors and frame)
- Insulation resistance ..... 10 MΩ or more with a 500 VDC megger (between lead wire conductors and frame)
- Sound pressure level (SPL) ..... At 1 m away from the air inlet
- Storage temperature ..... -30 to +70°C (Non-condensing)
- Lead wire ..... ⊕Red ⊖Black (Sensor) Yellow
- Mass ..... 110 g
- Ingress protection ..... IP68

## Specifications

The models listed below **have ribs and pulse sensors**. For models without ribs, append "1" to the end of model numbers.

Model no.	Rated voltage [V]	Operating voltage range [V]	Rated current [A]	Rated input [W]	Rated speed [min <sup>-1</sup> ]	Max. airflow [m <sup>3</sup> /min] [CFM]	Max. static pressure [Pa] [inchH <sub>2</sub> O]	SPL [dB (A)]	Operating temperature [°C]	Expected life [h]
<b>9WP0612G401</b>	12	10.2 to 13.2	0.21	2.52	5600	0.78 27.5	87.3 0.351	39	-20 to +60	40000/60°C
<b>9WP0612D401</b>			0.21	2.52	5150	0.72 25	73.5 0.3	37		
<b>9WP0612H401</b>			0.11	1.32	3800	0.53 18.7	40.2 0.161	28		
<b>9WP0624J401</b>	24	21.6 to 26.4	0.2	4.8	7600	1.06 37.1	155.0 0.622	44	-20 to +60	40000/60°C
<b>9WP0624G401</b>			0.13	3.12	5600	0.78 27.5	87.3 0.351	39		
<b>9WP0624H401</b>			0.06	1.44	3800	0.53 18.7	40.2 0.161	28		
<b>9WP0648H401</b>	48	40 to 53	0.04	1.92	3800	0.53 18.7	40.2 0.161	28	-20 to +70	60000/60°C

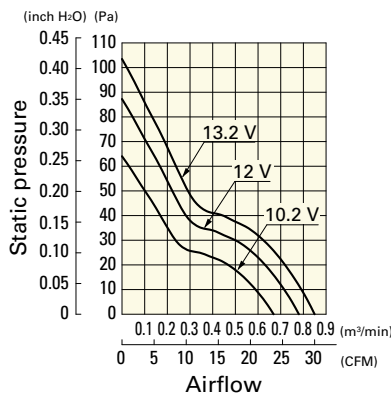
The following sensor and control options are available for selection.

Differs according to the model. Refer to the table on p. 580. **Without sensor** **Lock sensor** **PWM control**

## Airflow - Static Pressure Characteristics

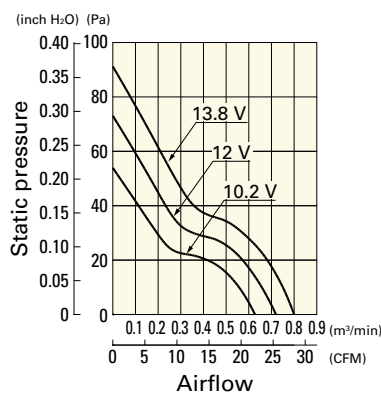
**9WP0612G401** With pulse sensor

Operating voltage range



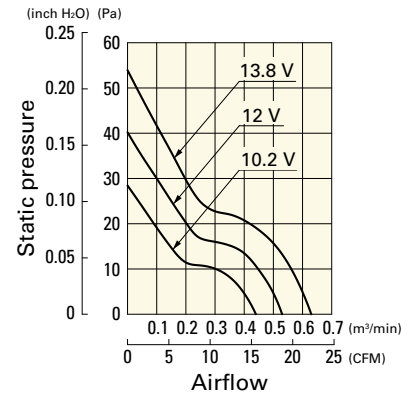
**9WP0612D401** With pulse sensor

Operating voltage range



**9WP0612H401** With pulse sensor

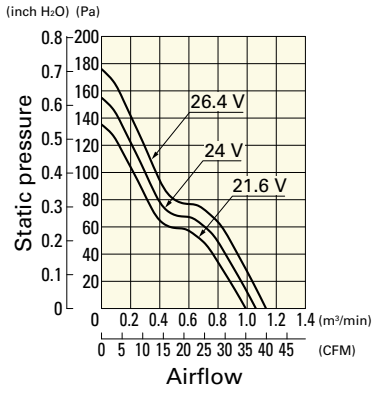
Operating voltage range



## Airflow - Static Pressure Characteristics

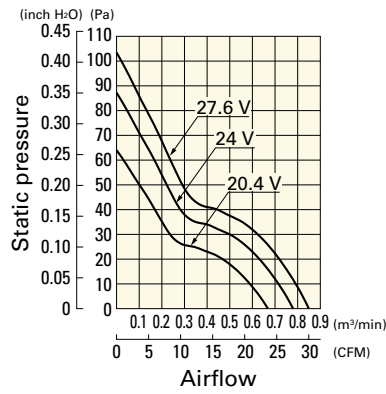
**9WP0624J401** With pulse sensor

Operating voltage range



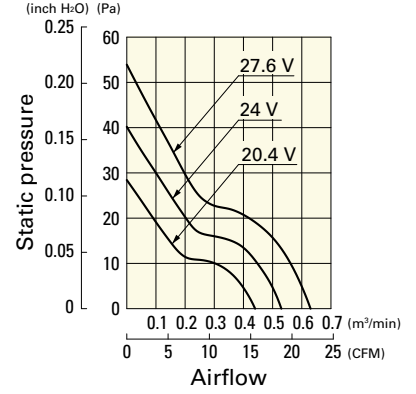
**9WP0624G401** With pulse sensor

Operating voltage range



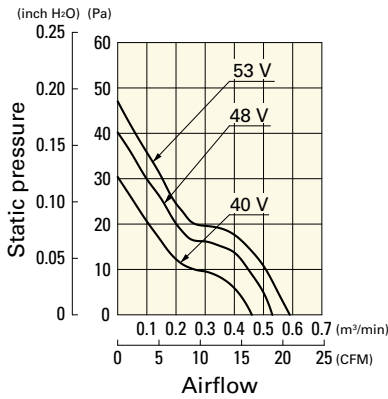
**9WP0624H401** With pulse sensor

Operating voltage range

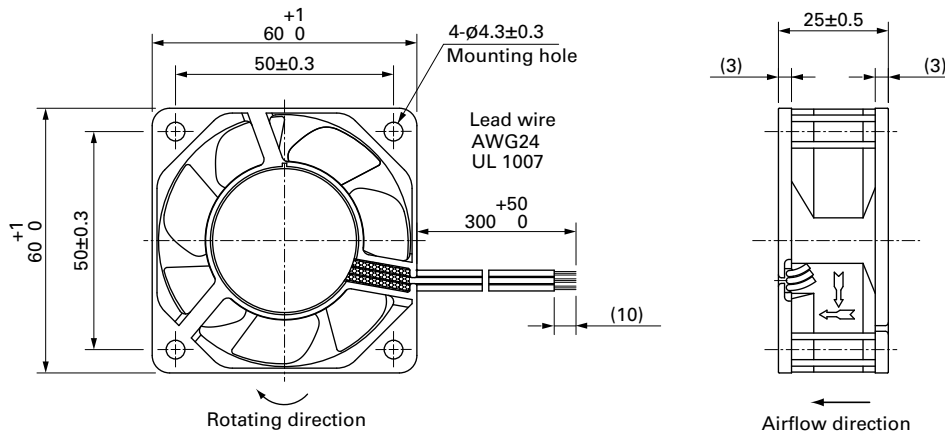


**9WP0648H401** With pulse sensor

Operating voltage range

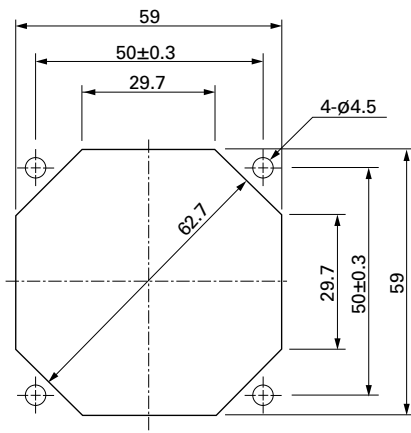


## Dimensions (unit: mm) (With ribs)



## Reference Dimensions of Mounting Holes and Vent Opening (unit: mm)

Inlet side, Outlet side



## Options

### Finger guards

page: p. 532

Model no.: 109-139E, 109-139H

### Resin finger guards

page: p. 539

Model no.: 109-1003G

# Mouser Electronics

Authorized Distributor

Click to View Pricing, Inventory, Delivery & Lifecycle Information:

## Sanyo Denki:

[9WP0612H4011](#) [9WP0624H4011](#) [9WP0612H401](#) [9WP0624H401](#) [9WP0648H402](#) [9WP0612G401](#) [9WP0648H401](#)  
[9WP0612G4011](#) [9WP0612D401](#) [9WP0612D4011](#) [9WP0624G401](#) [9WP0624G4011](#) [9WP0612P4G01](#)  
[9WP0612H402](#) [9WP0624H4D01](#) [9WP0612H4021](#) [9WP0648H4D01](#) [9WP0612H4D01](#) [9WP0624H402](#)  
[9WP0648H4011](#) [9WP0624J4011](#) [9WP0624J401](#) [9WP0612D402](#) [9WP0612G4D01](#) [9WP0624H4021](#) [9WP0624G402](#)  
[9WP0624J402](#) [9WP0648H4021](#) [9WP0612G402](#) [9WP0612G4021](#) [9WP0612D4D011](#) [9WP0648H4D011](#)  
[9WP0612D4D01](#) [9WP0624H4D011](#) [9WP0624G4D01](#) [9WP0612H4D011](#)